

IPD50 SERIES CLASS I

50 Watt
ITE Desktop Power Supply

- Safety Approval - EN60950-1 Class I
- High Efficiency: Level VI
- Hold-up Time >10ms at full load
- Fully Regulated DC output
- EuP Directive Compliant
- LED Indicator
- 1-Year Limited Warranty



Model Number	Output Voltage	Output Current	Total Regulation ¹	Typical Efficiency ²
IPD5012-760	12.0V	4.25A	±5%	89.6%
IPD5015-760	15.0V	3.3A	±5%	89.9%
IPD5018-760	18.0V	2.8A	±5%	90.2%
IPD5019-760	19.0V	2.6A	±5%	90.3%
IPD5024-760	24.0V	2.1A	±5%	90.6%

Notes

- 1) Includes initial setting, line regulation, load regulation, and thermal drift.
2) Typical at 115VAC

INPUT	
Input Voltage	85 – 264VAC 100 – 240VAC Nominal
Input Frequency	47 – 63Hz
Input Current	<1.0A rms
Inrush Current	<60A at 230VAC cold start
Zero Load Power Consumption	<0.1W
Earth Leakage Current (Typical)	<100µA @ 132VAC @ 60Hz
	<150µA @ 264VAC @ 60Hz

OUTPUT	
Output Voltage	See Table
Total Regulation	+/-5%
Minimum Load	No minimum load required
Start-Up Delay	<1.5s
Hold-Up Time	>10ms at any input voltage
Ripple & Noise	<1% pk-pk **
Over Voltage Protection	112 – 135%
Over Temperature Protection	First Stage - Recoverable; plus 2nd stage - Non Recoverable
Over Current Protection	108 – 180%
Short Circuit Protection	Shutdown, auto-restart (hiccup mode)

Notes

**Ripple and noise measured with 20MHz bandwidth; 10µF tantalum capacitor in parallel with a 0.1µF ceramic capacitor.

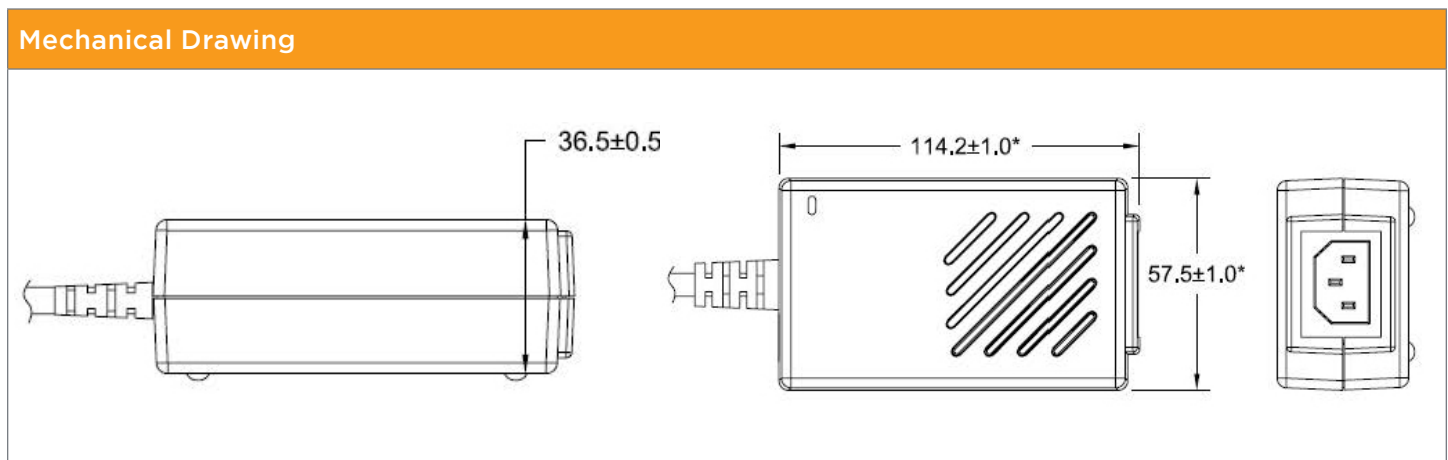
IPD50 SERIES - CLASS I

50 Watt

ITE Desktop Power Supply

General		Environmental		EMC & Safety	
Efficiency	Avg. Efficiency 90.7% @ 115VAC; 89.8% @ 230VAC	Operating Temperature	0 – 60°C (Full load to 40°C, derate linearly to 50% load at 60°C)	Emissions	FCC class B, CISPR22 class B EN6100-3-2, 3
MTBF	min. 100,000 hours calculated	Storage Temperature	-40°C to +85°C	Immunity	EN61000-4-2, -3, -4, -5, -6, -8, -11
Size	4.48" (114.2mm) x 2.26" (57.5mm) x 1.43" (36.5mm)	Relative Humidity	5-95%, non-condensing	Certified by TUV to the following:	cTUVus
Weight	0.4 lbs (0.20 Kg)	Cooling	Natural Convection		UL 606950-1
Power Density	3.43W/in ³	Altitude (Operating)	Rated to 5000M		CAN/CSA-22.2 No.950
					CB per IEC60950-1 2nd edition
					CE marked to LVD directive and RoHS II directive

Input Configuration		Output Configuration		Output Pin Assignments	
Standard Input Cable	Not Provided	Standard Output Cable	4ft	Center	+V1
Connection on Power Supply Body	IEC 320 C14 Receptacle	Cord Size	2x16awg zip	Outside	Return
		Connector (PSU side)	Switchcraft 760 or equivalent		
		Mating Connector	Switchcraft 760 or equivalent		



X-ON Electronics

Largest Supplier of Electrical and Electronic Components

Click to view similar products for [Desktop AC Adapters](#) category:

Click to view products by [Inventus Power](#) manufacturer:

Other Similar products are found below :

[212A2136](#) [ADP485-01](#) [SWA-1202](#) [SWA-1501](#) [212A2220](#) [KR8-PS01](#) [1894875](#) [FWE050024B-10A](#) [820A4080G](#) [825A0057-03](#) [SWA-1704W](#) [AD5012N2LM-\(401\)](#) [TRH21A120-49E03-Level-VI](#) [FWE050012B-10A](#) [AC-DC ADAPTER 90W w/ Cable](#) [FWA065024A-11A](#) [PSA120U-560L6](#) [96PSA-A63W18V1-M](#) [1895235](#) [PW-C0725-W2-B](#) [57-U1](#) [57-U2](#) [SED80N2-16.0](#) [SED80N3-16.0](#) [RFQ43442-01](#) [YS50-1903150](#) [50966124050E](#) [PCM50UT04](#) [PCM50UT05](#) [CPSUNOTAKY-07056](#) [CPSUNOTAKY-07168](#) [CPSUNOTAKY-07169](#) [CPSUNOTAKY-07234](#) [CPSUNOTAKY-07236](#) [CPSUNOTAKY-07288](#) [CPSUNOTAKY-07312](#) [CPSUNOTAKY-07342](#) [CPSUNOTAKY-07387](#) [CPSUNOTAKY-07388](#) [TE30A0503F01](#) [TE30A4803F01](#) [TE40A2403F01](#) [TE40A2403N01](#) [ME30A1803N01](#) [ME30A4803F01](#) [ME40A1203N01](#) [ME40A2403N01](#) [MENT1150A2451F01](#) [125530040F](#) [1255300611](#)