



## MTA040 Series

### 40 Watt Medical Open Frame Power Supply

- High Efficiency: Level V
- Fully Regulated DC Output
- Lifetime Expectation >5 years
- Hold-up Time >14ms at full load
- EISA & CEC Compliant
- Floating Output
- Safety Approval - EN60601-1 Class I

Elpac Part Number	Output Voltage	Output Current	Peak Current <sup>1</sup>	Total Regulation <sup>2</sup>	Typical Efficiency <sup>3</sup>
MTA040009A	9.0V	4.4A	5.3A	±5%	85%
MTA040012A	12.0V	3.3A	4.0A	±5%	87%
MTA040015A	15.0V	2.7A	3.2A	±5%	88%
MTA040024A	24.0V	1.7A	2.0A	±5%	87%

#### Notes

<sup>1</sup> Maximum peak load (48W) lasting 500ms with a maximum 10% duty cycle.

<sup>2</sup> Includes initial setting, line regulation, load regulation, and thermal drift.

<sup>3</sup> Typical at 115VAC

## Input

Input Voltage	85 - 264VAC 100 - 240VAC Nominal
Input Frequency	47 - 63Hz
Input Current	<1.0A rms
Inrush Current	<37A at 230VAC cold start
Zero Load Power Consumption	<0.3W
Earth Leakage Current (Typical)	<60 $\mu$ A @ 132VAC @ 60Hz <80 $\mu$ A @ 264VAC @ 60Hz
Patient Leakage Current	<30 $\mu$ A @ 132VAC @ 60Hz <50 $\mu$ A @ 264VAC @ 60Hz

## Output

Output Voltage	See Table
Total Regulation	+/-5%
Minimum Load	No minimum load required
Start-Up Delay	<250ms
Hold-Up Time	>14ms
Ripple & Noise	<1% pk-pk ** *
Over Voltage Protection	110-135%
Over Temperature Protection	Active - Recoverable; plus Passive - Non Recoverable
Over Current Protection	120 - 180%
Short Circuit Protection	shutdown, auto-restart (hiccup mode)

### Notes

\* Ripple and noise measured with 20MHz bandwidth; 10 $\mu$ F tantalum capacitor in parallel with a 0.1 $\mu$ F ceramic capacitor.


## General

Efficiency	Avg Efficiency 87.1% @ 115VAC; 87.1% @ 230VAC
MTBF	min. 200,000 hours demonstrated
Size	4.00" x 2.00" x 0.99"   101.6mm x 50.81mm x 25.2mm
Weight	0.29 lbs (0.13 kg)
Power Density	5.76W/in <sup>3</sup>

## Environmental

Operating Temperature	0 – 70°C (Full load to 50°C, derate linearly to 50% load at 70°C)
Storage Temperature	-40°C to +85°C
Relative Humidity	5-95%, non-condensing
Cooling	Natural Convection
Vibration	All units production tested to 19.6m/s <sup>2</sup>

## EMC & Safety

Emissions	FCC class B, CISPR11 class B EN61000-3-2, -3
Immunity	EN61000-4-2, -3, -4, -5, -6, -8, -11
Certified by TUV to the following:	cTUVus
	UL 60601-1
	CAN/CSA-22.2 No.601.1-M90
	CB per IEC60601-1
	CE marked to LVD

## Input Configuration

Connection on Power Supply Body	AMP p/n 640445-3 (or equivalent)
Mating Connector	AMP p/n 640250-3 (or equivalent)

## Output Configuration

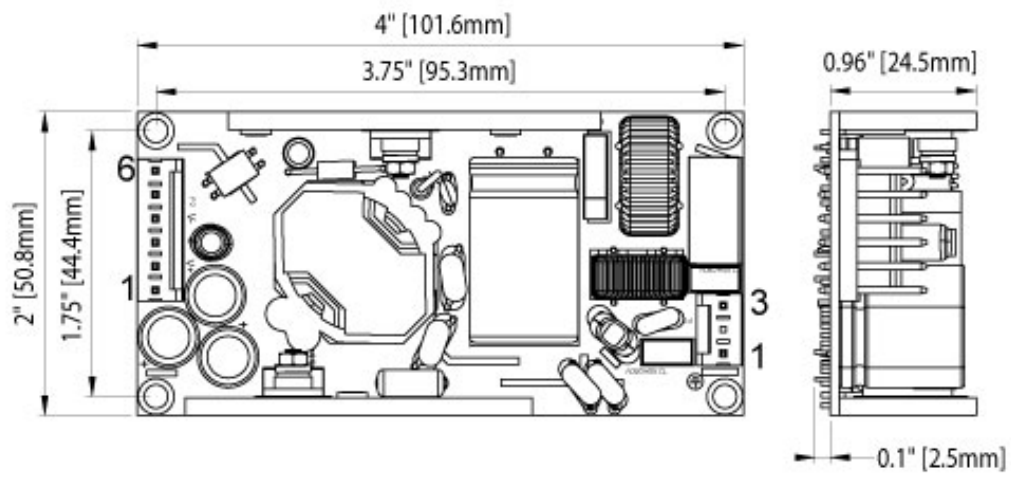
Connector (PSU Side)	AMP p/n 640445-6 (or equivalent)
Mating Connector	AMP p/n 640250-6 (or equivalent)

### Output Pin Assignments

Pin 1	+V1
Pin 2	+V1
Pin 3	Return
Pin 4	Return
Pin 5	No Connection
Pin 6	No Connection

### Input Pin Assignments (P1)

Pin 1	AC Line
Pin 2	<not assembled>
Pin 3	AC Neutral



## X-ON Electronics

Largest Supplier of Electrical and Electronic Components

*Click to view similar products for [Switching Power Supplies](#) category:*

*Click to view products by [Inventus Power](#) manufacturer:*

Other Similar products are found below :

[70841011](#) [73-551-0005](#) [73-551-0048](#) [PS3E-B12F](#) [PS3E-E12F](#) [AAD600S-4-OP](#) [R22095](#) [KD0204](#) [9021](#) [LDIN100150](#) [LPM000-BBAR-01](#)  
[LPX17S-C](#) [EVS57-10R6/R](#) [FP80](#) [FRV7000G](#) [22929](#) [PS3E-F12F](#) [CQM1IA121](#) [40370121900](#) [VI-PU22-EXX](#) [40370121910](#) [LDIN5075](#)  
[LPM615-CHAS](#) [LPX140-C](#) [09-160CFG](#) [70841025](#) [VPX3000-CBL-DC](#) [LPM000-BBAR-05](#) [LPM000-BBAR-08](#) [LPM124-OUTA1-48](#)  
[LPM000-BBAR-07](#) [LPM109-OUTA1-10](#) [LPM616-CHAS](#) [08-30466-1055G](#) [08-30466-2175G](#) [08-30466-2125G](#) [DMB-EWG](#) [TVQF-1219-](#)  
[18S](#) [6504-226-2101](#) [CQM1IPS01](#) [SP-300-5](#) [CQM1-IPS02](#) [VI-MUL-ES](#) [22829](#) [08-30466-0065G](#) [VI-RU031-EWWX](#) [08-30466-0028G](#) [VI-](#)  
[LUL-EU](#) [EP3000AC48INZ](#) [VP-C2104853](#)