



MWA020 Class I

20 Watt Medical Desktop Power Supply

- High Efficiency
- Fully Regulated DC Output
- 5-Year Limited Warranty
- Hold-up Time > 18ms at full load
- Safety Approval-EN60601-1 Class I 3rd edition
- Level V, EuP Directive Compliant
- LED Indicator

| Elpac Part Number | Output Voltage | Output Current | Peak Current ¹ | Total Regulation ² | Typical Efficiency ³ |
|-------------------|----------------|----------------|---------------------------|-------------------------------|---------------------------------|
| MWA020005A-10A | 5.0V | 4.0A | 4.2A | +/-5% | 80% |
| MWA020009A-10A | 9.0V | 2.22A | 2.3A | +/-5% | 83% |
| MWA020012A-10A | 12.0V | 1.67A | 1.75A | +/-5% | 84% |
| MWA020024A-10A | 24.0V | 0.84A | 0.87A | +/-5% | 86% |

Notes

1 maximum peak load (21W) lasting 500ms with a maximum 10% duty cycle

2 Includes initial setting, line regulation, load regulation, and thermal drift

3 Typical at 115VAC (including output cable).

Input

| | |
|---------------------------------|--|
| Input Voltage | 85-264VAC; 100-240VAC Nominal |
| Input Frequency | 47-63Hz |
| Input Current | <0.5A rms |
| Inrush Current | <50A @ 230VAC cold start |
| Zero Load Power Consumption | <0.3W |
| Earth Leakage Current (Typical) | <100µA @ 132VAC @ 60Hz (typical) <150µA @ 264VAC @ 60Hz (typical) |

Output

| | |
|-----------------------------|--|
| Output Voltage | See Model Overview Table |
| Total Regulation | +/-5% |
| Minimum Load | No minimum load required |
| Start-Up Delay | <1.5s |
| Hold-Up Time | >18ms at any input voltage |
| Ripple & Noise | <1% pk-pk** |
| Over Voltage Protection | 112-135% |
| Over Temperature Protection | Active - Recoverable; plus Passive - Non Recoverable |
| Over Current Protection | 108% - 180% |
| Short Circuit Protection | Shutdown, auto-restart (hiccup mode) |


General

| | |
|---------------|--|
| Efficiency | Avg Efficiency 83.4% at 115VAC; 82.8% @ 230VAC |
| MTBF | min. 200,000 hours demonstrated |
| Size | 3.45" x 2.04" x 1.30" 87.7mm x 51.8mm x 33.0mm |
| Weight | 5V 0.4lbs (0.2Kg); 24V 0.3 lbs (0.16Kg) |
| Power Density | 3.0 W/in ³ |

Environmental

| | |
|-----------------------|---|
| Operating Temperature | 0 – 60°C (Full load to 40°C, derate linearly to 50% load at 60°C) |
| Storage Temperature | -40°C to +85°C |
| Relative Humidity | 5-95%, non-condensing |
| Cooling | Natural Convection |
| Vibration | All units production tested to 19.6m/s ² |

EMC & Safety

| | |
|---|--|
| Emissions | FCC class B, CISPR11 class B EN61000-3-2, -3 |
| Immunity | EN61000-4-2, -3, -4, -5, -6, -8, -11 |
| Certified by TUV to the following: | cTUVus |
|  | UL 60601-1 |
| | CAN/CSA-22.2 No.601 |
| | CB per IEC60601-1 2nd and 3rd Edition |
| | CE marked to LVD Directive |

Input Configuration

| | |
|---------------------------------|------------------------|
| Standard Input Cable | Not Provided |
| Connection on Power Supply Body | IEC 320 C14 Receptacle |

Output Configuration

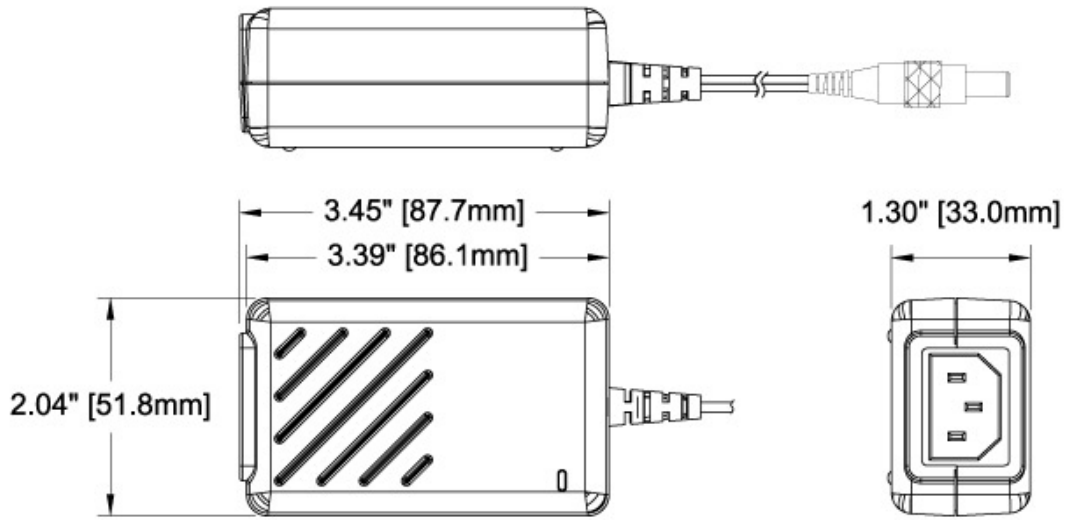
| | |
|-----------------------|--|
| Standard Output Cable | 6 ft. |
| Cord Size | 16AWG zip (5V, 9V) 18AWG zip (12V) 20AWG zip (24V) |
| Connector (PSU side) | Switchcraft 760 or equivalent |
| Mating Connector | Switchcraft 712A or equivalent |

Output Pin Assignments

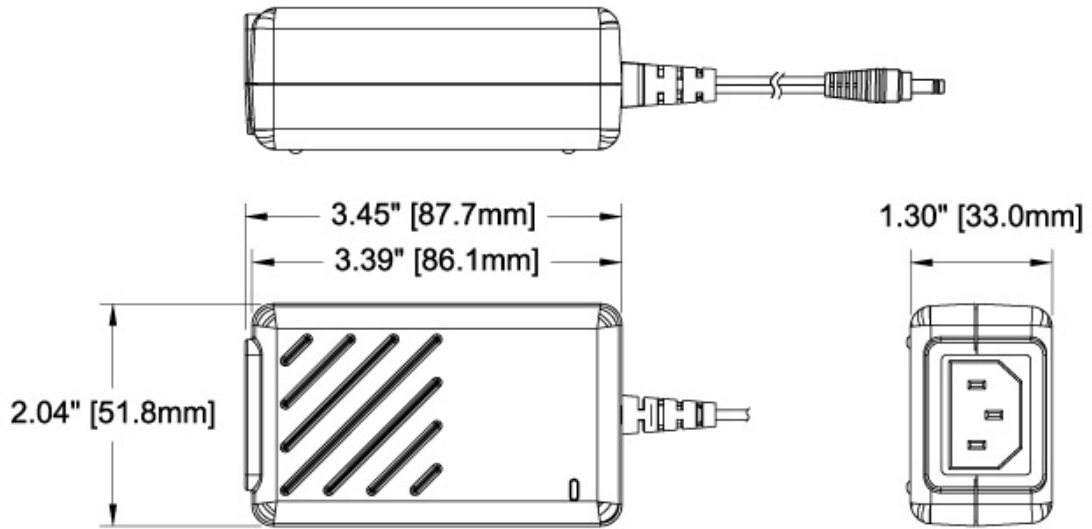


| | |
|---------|--------|
| Center | +v1 |
| Outside | Return |

5V and 9V Model



12V and 24V Model



X-ON Electronics

Largest Supplier of Electrical and Electronic Components

Click to view similar products for [Desktop AC Adapters](#) category:

Click to view products by [Inventus Power](#) manufacturer:

Other Similar products are found below :

[212A2136](#) [ADP485-01](#) [SWA-1202](#) [SWA-1501](#) [212A2220](#) [KR8-PS01](#) [1894875](#) [FWE050024B-10A](#) [820A4080G](#) [825A0057-03](#) [SWA-1704W](#) [AD5012N2LM-\(401\)](#) [TRH21A120-49E03-Level-VI](#) [FWE050012B-10A](#) [AC-DC ADAPTER 90W w/ Cable](#) [FWA065024A-11A](#) [PSA120U-560L6](#) [96PSA-A63W18V1-M](#) [1895235](#) [PW-C0725-W2-B](#) [57-U1](#) [57-U2](#) [SED80N2-16.0](#) [SED80N3-16.0](#) [RFQ43442-01](#) [YS50-1903150](#) [50966124050E](#) [PCM50UT04](#) [PCM50UT05](#) [CPSUNOTAKY-07056](#) [CPSUNOTAKY-07168](#) [CPSUNOTAKY-07169](#) [CPSUNOTAKY-07234](#) [CPSUNOTAKY-07236](#) [CPSUNOTAKY-07288](#) [CPSUNOTAKY-07312](#) [CPSUNOTAKY-07342](#) [CPSUNOTAKY-07387](#) [CPSUNOTAKY-07388](#) [TE30A0503F01](#) [TE30A4803F01](#) [TE40A2403F01](#) [TE40A2403N01](#) [ME30A1803N01](#) [ME30A4803F01](#) [ME40A1203N01](#) [ME40A2403N01](#) [MENT1150A2451F01](#) [125530040F](#) [1255300611](#)