



## MWA065 Class II

### 65 Medical Desktop Power Supply

- Now Available!
- High Efficiency: Level V
- High Power Density 4.9W/in<sup>3</sup>
- Lifetime Expectation >5 years
- Hold-up Time >25ms at full load
- EISA, CEC Compliant
- Medical Approval - EN60601-1 Class II

Elpac Part Number	Output Voltage	Output Current	Peak Current	Total Regulation	Typical Efficiency
MWA065009B-11A	9.0V	8.0A	9.6A	±5%	85%
MWA065012B-11A	12.0V	6.0A	7.2A	±5%	88%
MWA065015B-11A	15.0V	4.8A	5.7A	±5%	89%
MWA065018B-11A	18.0V	4.0A	4.8A	±5%	90%
MWA065024B-11A	24.0V	3.0A	3.6A	±5%	91%

#### Input

Input Voltage	85 - 264VAC 100 - 240VAC Nominal
Input Frequency	47 - 63Hz
Input Current	<1.5A rms
Inrush Current	<37A at 230VAC cold start
Zero Load Power Consumption	<0.5W

## Output

Output Voltage	See Table
Total Regulation	+/-5%
Minimum Load	No minimum load required
Start-Up Delay	<750ms
Hold-Up Time	>25ms at any input voltage
Ripple & Noise	<1% pk-pk *
Over Voltage Protection	110-135%
Over Temperature Protection	Active - Recoverable; plus Passive - Non Recoverable
Over Current Protection	120 - 180%
Short Circuit Protection	shutdown, auto-restart (hiccup mode)

## General

Efficiency	Avg Efficiency 88.2% @ 115VAC; 89.7% @ 230VAC
MTBF	min. 200,000 hours demonstrated
Size	5.02" (127.6mm) x 2.20" (55.9mm) x 1.37" (34.8mm)
Weight	1.3 lbs (.59 kg)
Power Density	4.9W/in <sup>3</sup>

## Environmental

Operating Temperature	0 – 60°C (Full load to 40°C, derate linearly to 50% load at 60°C)
Storage Temperature	-40°C to +85°C
Relative Humidity	5-95%, non-condensing
Cooling	Natural Convection
Vibration	All units production tested to 19.6m/s <sup>2</sup>

## EMC & Safety

Emissions FCC class B, CISPR11 class B EN61000-3-2, -3

Immunity EN61000-4-2, -3, -4, -5, -6, -8, -11

Certified by: cTUVus



UL 60601-1

CAN/CSA-22.2 No.601.1-M90

CB per IEC60601-1

CE marked to LVD

## Input Configuration

Standard Input Cable Not Provided

Connection on Power Supply Body IEC 320 C8 Receptacle

## Output Configuration (9V)

Standard Output Cable 4 ft.

Cord Size 2x16awg

Connector (PSU side) Switchcraft DIN-5, P/N 05GM5MX (male pins)

Mating Connector Switchcraft 57GB5FX (5 pin) or equivalent

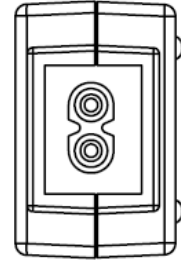
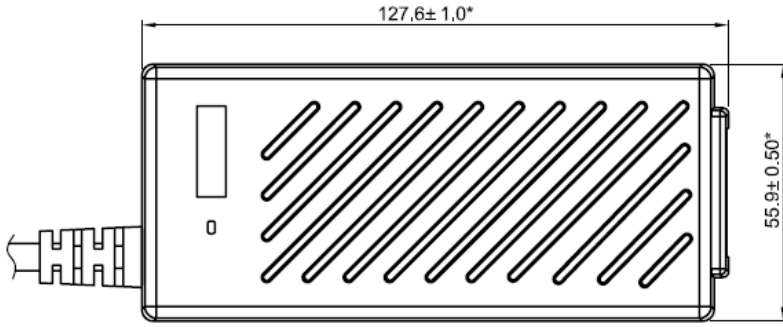
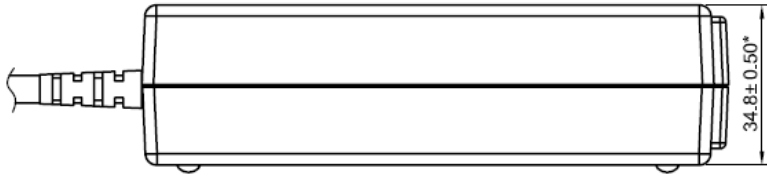
## Output Configuration (12V, 18V, 24V)

Standard Output Cable 6 ft.

Cord Size 2x16awg

Connector (PSU side) Switchcraft DIN-5, P/N 05GM5MX (male pins)

Mating Connector Switchcraft 57GB5FX or equivalent



## X-ON Electronics

Largest Supplier of Electrical and Electronic Components

*Click to view similar products for [Desktop AC Adapters](#) category:*

*Click to view products by [Inventus Power](#) manufacturer:*

Other Similar products are found below :

[212A2136](#) [ADP485-01](#) [SWA-1202](#) [SWA-1501](#) [212A2220](#) [KR8-PS01](#) [1894875](#) [FWE050024B-10A](#) [820A4080G](#) [825A0057-03](#) [SWA-1704W](#) [AD5012N2LM-\(401\)](#) [TRH21A120-49E03-Level-VI](#) [FWE050012B-10A](#) [AC-DC ADAPTER 90W w/ Cable](#) [FWA065024A-11A](#) [PSA120U-560L6](#) [96PSA-A63W18V1-M](#) [1895235](#) [PW-C0725-W2-B](#) [57-U1](#) [57-U2](#) [SED80N2-16.0](#) [SED80N3-16.0](#) [RFQ43442-01](#) [YS50-1903150](#) [50966124050E](#) [PCM50UT04](#) [PCM50UT05](#) [CPSUNOTAKY-07056](#) [CPSUNOTAKY-07168](#) [CPSUNOTAKY-07169](#) [CPSUNOTAKY-07234](#) [CPSUNOTAKY-07236](#) [CPSUNOTAKY-07288](#) [CPSUNOTAKY-07312](#) [CPSUNOTAKY-07342](#) [CPSUNOTAKY-07387](#) [CPSUNOTAKY-07388](#) [TE30A0503F01](#) [TE30A4803F01](#) [TE40A2403F01](#) [TE40A2403N01](#) [ME30A1803N01](#) [ME30A4803F01](#) [ME40A1203N01](#) [ME40A2403N01](#) [MENT1150A2451F01](#) [125530040F](#) [1255300611](#)