



MWA100 Series

100 Watt Medical Desktop Power Supply

- High Efficiency
- High Power Density 4.8W/in³
- Lifetime Expectation >5 years
- Hold-up Time >24ms at full load
- EISA, CEC Compliant
- Floating Output
- Medical Approval - EN60601-1 Class I 3rd Edition

Elpac Part Number	Output Voltage	Output Current	Peak Current ¹	Total Regulation ²	Typical Efficiency ³
MWA100012A-12A	12.0V	8.3A	10.0A	±5%	88%
MWA100015A-12A	15.0V	6.7A	8.0A	±5%	89%
MWA100018A-12A	18.0V	5.6A	6.7A	±5%	89%
MWA100024A-12A	24.0V	4.2A	5.0A	±5%	89%

Notes

1 Maximum peak load (120W) lasting 500ms with a maximum 10% duty cycle.

2 Includes initial setting, line regulation, load regulation, and thermal drift.

3 Typical at 115VAC (including output cable).

Input

Input Voltage	85 - 264VAC 100 - 240VAC Nominal
Input Frequency	47 - 63Hz
Input Current	<2.3A rms
Inrush Current	<37A at 230VAC cold start
Zero Load Power Consumption	<0.5W
Earth Leakage Current (Typical)	<150 μ A @ 132VAC @ 60H <250 μ A @ 264VAC @ 60H
Patient Leakage Current	<50 μ A @ 132VAC @ 60H <80 μ A @ 264VAC @ 60H

Output

Output Voltage	See Table
Total Regulation	+/-5%
Minimum Load	No minimum load required
Start-Up Delay	<1s
Hold-Up Time	>24ms at any input voltage
Ripple & Noise	<1% pk-pk *
Over Voltage Protection	110-135%
Over Temperature Protection	Active - Recoverable; plus Passive - Non Recoverable
Over Current Protection	120 - 180%
Short Circuit Protection	shutdown, auto-restart (hiccup mode)

Notes

* Ripple and noise measured with 20MHz bandwidth; 10 μ F tantalum capacitor in parallel with a 0.1 μ F ceramic capacitor.


General

Efficiency	Avg Efficiency 88.9% @ 115VAC; 90.6% @ 230VAC
MTBF	min. 200,000 hours demonstrated
Size	5.19" (132mm) x 3.07" (78mm) x 1.34" (34mm)
Weight	1.1 lbs (0.50 kg)
Power Density	4.8W/in ³

Environmental

Operating Temperature	0 – 60°C (Full load to 40°C, derate linearly to 50% load at 60°C)
Storage Temperature	-40°C to +85°C
Relative Humidity	5-95%, non-condensing
Cooling	Natural Convection
Vibration	All units production tested to 19.6m/s ²

EMC & Safety

Emissions	FCC class B, CISPR11 class B EN61000-3-2, -3
Immunity	EN61000-4-2, -3, -4, -5, -6, -8, -11
Certified by TUV to the following:	cTUVus
	UL 60601-1
	CAN/CSA-22.2 No.601.1-M90
	CB per IEC60601-1 2nd and 3rd Edition
	CE marked to LVD

Input Configuration

Standard Input Cable	Not Provided
Connection on Power Supply Body	IEC 320 C14 Receptacle

Output Configuration (12V)

Standard Output Cable	4 ft.
Cord Size	2x16awg
Connector (PSU side)	Switchcraft DIN-8, P/N 15BL8MX (male pins)
Mating Connector	Switchcraft 62GB8FX or equivalent

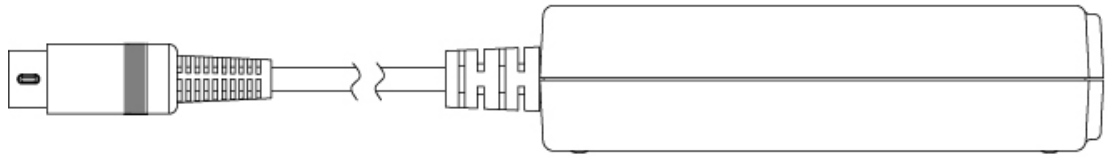
Output Configuration (15V, 18V 24V)

Standard Output Cable	6 ft.
Cord Size	2x16awg
Connector (PSU side)	Switchcraft DIN-8, P/N 15BL8MX (male pins)
Mating Connector	Switchcraft 62GB8FX or equivalent

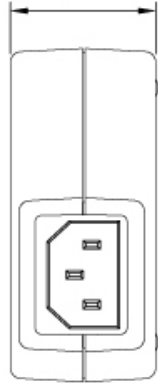
Output Pin Assignments



Pin 1	+V1
Pin 2	+V1
Pin 3	Return
Pin 4	+V1
Pin 5	Return
Pin 6	+V1
Pin 7	Return
Pin 8	Return

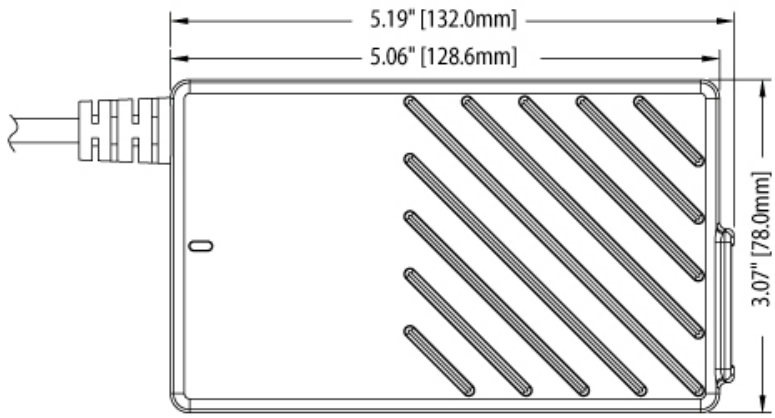


1.34" [34.0mm]



5.19" [132.0mm]

5.06" [128.6mm]



3.07" [78.0mm]

X-ON Electronics

Largest Supplier of Electrical and Electronic Components

Click to view similar products for [inventus power manufacturer](#):

Other Similar products are found below :

[MWA150024B-12A](#) [MWA180024A-12A](#) [IPD5012-760](#) [MWA020005A-10A](#) [FWC080018A-11B](#) [MWA020012A-10A](#) [MWA220048A-11A](#)
[FWA020024B-10B](#) [FWA120012A-12B](#) [MWA065024B-11A](#) [IPD3012-760](#) [MWA065012B-11A](#) [IPD2012-760](#) [FWE050012B-10B](#)
[MWA050012A-10A](#) [FWE030015A-10A](#) [FSA150024A](#) [FWE050012B-10A](#) [MWA020005B-10A](#) [FWE050024B-10A](#) [MWA120012A-12A](#)
[IPD5024-760](#) [MWA150012B-12A](#) [MWC100024A-11A](#) [MWA220012A-13A](#) [FWE050024A-10A](#) [MWA120024A-12A](#) [MWA065015A-11A](#)
[MTA040009A](#) [FWA020012A-10A](#) [FWE030012A-10A](#) [FWA065024A-11A](#) [MWA150012A-12A](#)