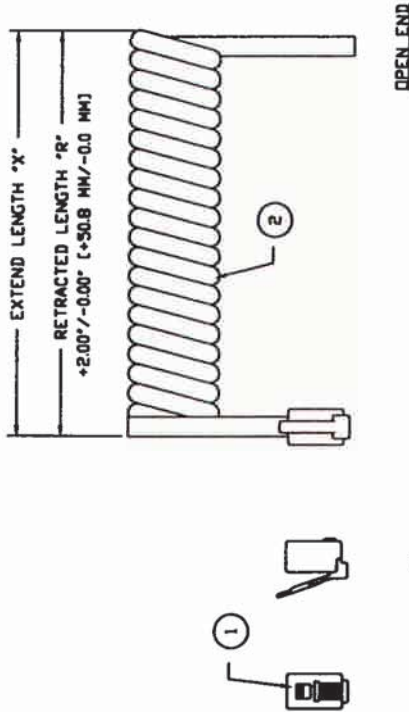


A B C D E F G H

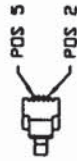
THESE DRAWINGS AND SPECIFICATIONS ARE THE SOLE PROPERTY OF I/O INTERCONNECT INC. U.S.A. AND SHALL NOT BE REPRODUCED, COPIED, OR USED IN ANY MANNER WITHOUT THE PRIOR WRITTEN CONSENT OF I/O INTERCONNECT INC. OR ITS AFFILIATED SUBSIDIARIES.

DWG. NO.	ZONE	REV.	DESCRIPTION	DATE	APPROVED
XX4-52X-D		X1	CUSTOMER APPROVAL	03/26/99	E.V.
		X2	ADD RETRACTED LENGTH	03/29/99	E.V.



OPEN END

PL



CUSTOMER APPROVAL
 ENGR. SIGN *Matt Jensen*
 DATE: 4-13-99

NOTES: UNLESS OTHERWISE SPECIFIED.

- TEST CABLE FOR ALL OPENS & SHORTS.
- PACKAGE CABLE ASSEMBLY INDIVIDUALLY IN PLASTIC BAG. PACKAGE INDIVIDUAL BAG PER LOT NUMBER QUANTITIES.

464-144-525-D	121-410-022	14.0 FT (4.3 M)	34.0 IN (863.6 MM)	WHITE
464-144-524-D	121-410-012	14.0 FT (4.3 M)	34.0 IN (863.6 MM)	BLACK
464-144-523-D	121-410-002	14.0 FT (4.3 M)	34.0 IN (863.6 MM)	SILVER SATIN
464-104-522-D	121-410-021	10.0 FT (3.0 M)	30.0 IN (762.0 MM)	WHITE
464-104-521-D	121-410-011	10.0 FT (3.0 M)	30.0 IN (762.0 MM)	BLACK
464-104-520-D	121-410-001	10.0 FT (3.0 M)	30.0 IN (762.0 MM)	SILVER SATIN
464-074-525-D	121-410-020	7.0 FT (2.1 M)	21.0 IN (533.4 MM)	WHITE
464-074-524-D	121-410-010	7.0 FT (2.1 M)	21.0 IN (533.4 MM)	BLACK
464-074-523-D	121-410-000	7.0 FT (2.1 M)	21.0 IN (533.4 MM)	SILVER SATIN
464-054-525-D	121-410-023	5.0 FT (1.5 M)	17.0 IN (431.8 MM)	WHITE
464-054-521-D	121-410-013	5.0 FT (1.5 M)	17.0 IN (431.8 MM)	BLACK
464-054-520-D	121-410-003	5.0 FT (1.5 M)	17.0 IN (431.8 MM)	SILVER SATIN
IOI PART NUMBER	IOI CABLE PART NUMBER	EXTENDED LENGTH "X"	RETRACTED LENGTH "R"	COLOR

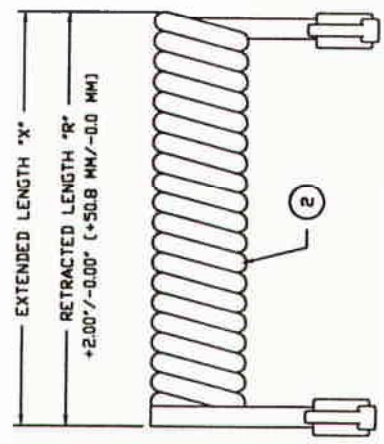
TABULATION BLOCK

THIRD ANGLE PROJECTION				I/O INTERCONNECT SANTA ANA, CALIFORNIA	
2	"X" FT	IOI	SEE "TABULATION BLOCK"	MODULAR COIL CABLE, 26 AVG (7/34) BARE COPPER, 4 CONDUCTOR, UNSHIELDED, PVC JACKET, (SEE TABULATION BLOCK FOR COLOR).	
1	1 PC	IOI	325-641-50X	CONNECTOR, MODULAR PLUG, 6 POSITION, 4 CONDUCTOR, 50" AWG, FLAT TYPE EXIT.	
ITEM	QTY	MFG.	IOI PART NO.	DESCRIPTION	CABLE ASSEMBLY PARTS LIST
				UNLESS OTHERWISE NOTED, DIMENSIONS ARE IN INCHES (MILLIMETER) TOLERANCES: .XXX ± 0.25 (6.35)	
				TITLE: 6P4C COIL CABLE TO OPEN END, CABLE ASSEMBLY PART NO: 464-XX4-52X-D DWG NO: 464-XX4-52X-D CUSTOMER: DIGI KEY SCALE: NONE SHEET 1 OF 1	

A B C D E F G H

THESE DRAWINGS AND SPECIFICATIONS ARE THE SOLE PROPERTY OF I/O INTERCONNECT INC. U.S.A. AND SHALL NOT BE REPRODUCED, COPIED, OR USED IN ANY MANNER WITHOUT THE PRIOR WRITTEN CONSENT OF I/O INTERCONNECT INC. OR ITS AFFILIATED SUBSIDIARIES.

DWG. NO.	ZONE	REV.	DESCRIPTION	DATE	APPROVED
XX4-SIX-D		X1	CUSTOMER APPROVAL	03/26/99	E.V.
		X2	ADD RETRACTED LENGTH	03/29/99	E.V.



WIRE DIAGRAM

E1		P2
2	BLACK	5
3	RED	4
4	GREEN	3
5	YELLOW	2



E1



464-144-515-D	121-410-022	14.0 FT (4.3 M)	34.0 IN (863.6 MM)	WHITE
464-144-514-D	121-410-012	14.0 FT (4.3 M)	34.0 IN (863.6 MM)	BLACK
464-144-513-D	121-410-002	14.0 FT (4.3 M)	34.0 IN (863.6 MM)	SILVER SATIN
464-104-512-D	121-410-021	10.0 FT (3.0 M)	30.0 IN (762.0 MM)	WHITE
464-104-511-D	121-410-011	10.0 FT (3.0 M)	30.0 IN (762.0 MM)	BLACK
464-104-510-D	121-410-001	10.0 FT (3.0 M)	30.0 IN (762.0 MM)	SILVER SATIN
464-074-515-D	121-410-020	7.0 FT (2.1 M)	21.0 IN (533.4 MM)	WHITE
464-074-514-D	121-410-010	7.0 FT (2.1 M)	21.0 IN (533.4 MM)	BLACK
464-074-513-D	121-410-000	7.0 FT (2.1 M)	21.0 IN (533.4 MM)	SILVER SATIN
464-054-512-D	121-410-023	5.0 FT (1.5 M)	17.0 IN (431.8 MM)	WHITE
464-054-511-D	121-410-013	5.0 FT (1.5 M)	17.0 IN (431.8 MM)	BLACK
464-054-510-D	121-410-003	5.0 FT (1.5 M)	17.0 IN (431.8 MM)	SILVER SATIN
IOI PART NUMBER	IOI CABLE PART NUMBER	EXTENDED LENGTH "X"	RETRACTED LENGTH "R"	COLOR

CUSTOMER APPROVAL H1642-D5C-N6
 ENGR. SIGN *Matt Lerner* H1643-ASC
 DATE: 4-13-99

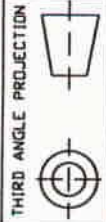
NOTES: UNLESS OTHERWISE SPECIFIED.

1. TEST CABLE FOR ALL OPENS & SHORTS.

2. PACKAGE CABLE ASSEMBLY INDIVIDUALLY IN PLASTIC BAG. PACKAGE INDIVIDUAL BAG PER LOT NUMBER QUANTITIES.

TABULATION BLOCK

2	"X" FT	IOI	SEE "TABULATION BLOCK"	MODULAR COIL CABLE, 26 AWG (7/34) BARE COPPER, 4 CONDUCTOR, UNSHIELDED, PVC JACKET, (SEE TABULATION BLOCK FOR COLOR).
1	2 PCS	IOI	325-641-50X	CONNECTOR, MODULAR PLUG, 6 POSITION, 4 CONDUCTOR, 50" AU, FLAT TYPE EXIT.
ITEM	QTY	MFG.	IOI PART NO.	DESCRIPTION



UNLESS OTHERWISE NOTED:
 1) DIMENSIONS ARE IN INCHES (MILLIMETER)
 2) TOLERANCES:
 X.XX ± 0.25 (6.35)



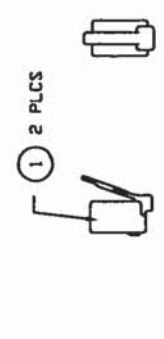
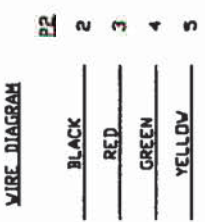
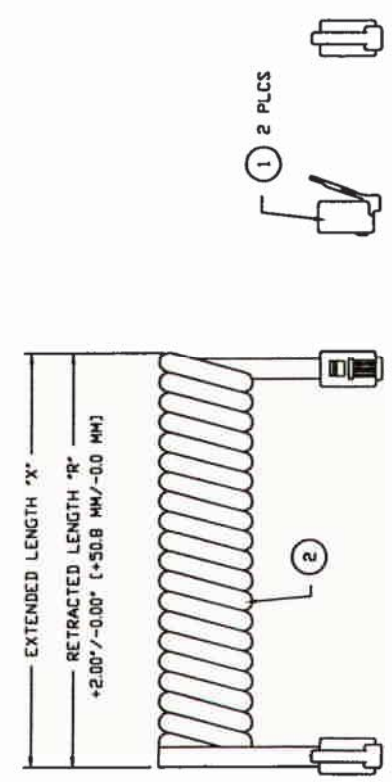
TITLE	6P4C/6P4C COIL CABLE.
STANDARD STYLE, CABLE ASSEMBLY	
PART NO.	464-XX4-SIX-D
DWG NO.	464-XX4-SIX-D
CUSTOMER	
DIGI KEY	
SCALE	NONE
SHEET	1 OF 1

CABLE ASSEMBLY PARTS LIST

A B C D E F G H

THESE DIMENSIONS AND SPECIFICATIONS ARE THE SOLE PROPERTY OF I/O INTERCONNECT INC. U.S.A. AND SHALL NOT BE REPRODUCED, COPIED, OR USED IN ANY MANNER WITHOUT THE PRIOR WRITTEN CONSENT OF I/O INTERCONNECT INC. OR ITS AFFILIATED SUBSIDIARIES.

DWG. NO. XX4-50X-D	ZONE	REV. X1	DESCRIPTION CUSTOMER APPROVAL	DATE 03/25/99	APPROVED E.V.
		X2	ADD RETRACTED LENGTH	03/29/99	E.V.



464-144-505-D	121-410-022	14.0 FT (4.3 M)	34.0 IN (863.6 MM)	WHITE
464-144-504-D	121-410-012	14.0 FT (4.3 M)	34.0 IN (863.6 MM)	BLACK
464-144-503-D	121-410-002	14.0 FT (4.3 M)	34.0 IN (863.6 MM)	SILVER SATIN
464-104-502-D	121-410-021	10.0 FT (3.0 M)	30.0 IN (762.0 MM)	WHITE
464-104-501-D	121-410-011	10.0 FT (3.0 M)	30.0 IN (762.0 MM)	BLACK
464-104-500-D	121-410-001	10.0 FT (3.0 M)	30.0 IN (762.0 MM)	SILVER SATIN
464-074-503-D	121-410-020	7.0 FT (2.1 M)	21.0 IN (533.4 MM)	WHITE
464-074-504-D	121-410-010	7.0 FT (2.1 M)	21.0 IN (533.4 MM)	BLACK
464-074-503-D	121-410-000	7.0 FT (2.1 M)	21.0 IN (533.4 MM)	SILVER SATIN
464-054-502-D	121-410-023	5.0 FT (1.5 M)	17.0 IN (431.8 MM)	WHITE
464-054-501-D	121-410-013	5.0 FT (1.5 M)	17.0 IN (431.8 MM)	BLACK
464-054-500-D	121-410-003	5.0 FT (1.5 M)	17.0 IN (431.8 MM)	SILVER SATIN
IOI PART NUMBER	IOI CABLE PART NUMBER	EXTENDED LENGTH "X"	RETRACTED LENGTH "R"	COLOR

CUSTOMER APPROVAL
 ENGR. SIGN Y. Math
 DATE: 4-13-99

- NOTES: UNLESS OTHERWISE SPECIFIED.
- TEST CABLE FOR ALL OPENS & SHORTS.
 - PACKAGE CABLE ASSEMBLY INDIVIDUALLY IN PLASTIC BAG. PACKAGE INDIVIDUAL BAG PER LOT NUMBER QUANTITIES.

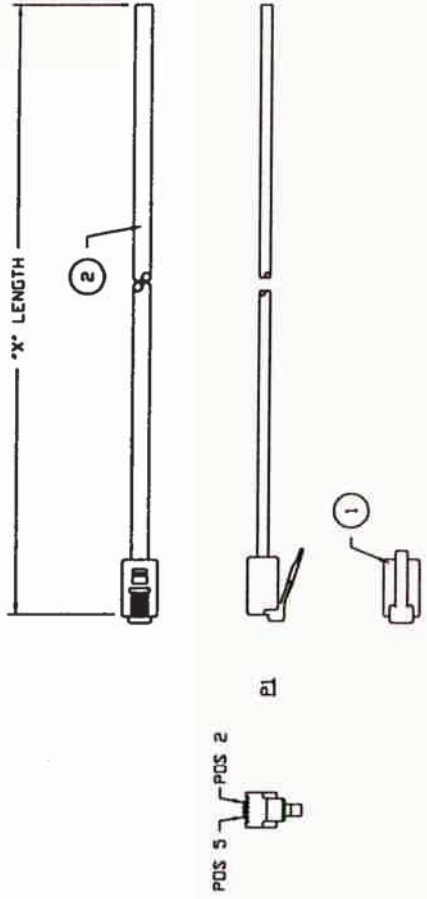
TABULATION BLOCK

THIRD ANGLE PROJECTION	UNLESS OTHERWISE NOTED DIMENSIONS ARE IN INCHES (MILLIMETER) TOLERANCES: XXX ± 0.25 (6.35)
I/O INTERCONNECT SANTA ANA, CALIFORNIA	6P4C/6P4C COIL CABLE. REVERSE STYLE, CABLE ASSEMBLY
PART NO. 464-XX4-50X-D DWG NO. 464-XX4-50X-D CUSTOMER DIGI KEY	REV. X1 REV. X2
SCALE: NONE	SHEET 1 OF 1

ITEM	QTY	MFG.	IOI PART NO.	DESCRIPTION
2	2 PCS	SEE "TABULATION BLOCK"		MODULAR COIL CABLE, 26 AWG (7/34) BARE COPPER, 4 CONDUCTOR, UNSHIELDED, PVC JACKET, (SEE TABULATION BLOCK FOR COLOR).
1	2 PCS	325-641-50X		CONNECTOR, MODULAR PLUG, 6 POSITION, 4 CONDUCTOR, 50u" Au, FLAT TYPE EXIT.

CABLE ASSEMBLY PARTS LIST

A	B	C	D	E	F	G	H	
THESE DRAWINGS AND SPECIFICATIONS ARE THE SOLE PROPERTY OF I/O INTERCONNECT INC. U.S.A. AND SHALL NOT BE REPRODUCED, COPIED, OR USED IN ANY MANNER WITHOUT THE PRIOR WRITTEN CONSENT OF I/O INTERCONNECT INC. OR ITS AFFILIATED SUBSIDIARIES.		DWG. NO. XX4-522-D		ZONE 	REV. X1	DESCRIPTION CUSTOMER APPROVAL	DATE 03/24/99	APPROVED E.V.



WIRE DIAGRAM

P1	BLACK	OPEN END
2	RED	
3	GREEN	
4	YELLOW	

CUSTOMER APPROVAL
 ENGR. SIGN Matt Lerner
 DATE: 4-12-99

- NOTES: UNLESS OTHERWISE SPECIFIED.
- CABLE TO BE BUNDLED AND TWIST TIED.
 - TEST CABLE FOR ALL OPENS & SHORTS.
 - PACKAGE CABLE ASSEMBLY INDIVIDUALLY IN PLASTIC BAG. PACKAGE INDIVIDUAL BAG PER LOT NUMBER QUANTITIES.

H3641-25-ND
 H3641-14-ND
 H3641-07-ND

464-254-522-D	25.0 FT ± 4.0 IN 7.62 M ± 101.6 MM
464-144-522-D	14.0 FT ± 3.0 IN 4.27 M ± 76.2 MM
464-074-522-D	7.0 FT ± 2.0 IN 2.13 M ± 50.8 MM
PART NUMBER I/O INTERCONNECT	LENGTH *X*

THIRD ANGLE PROJECTION

UNLESS OTHERWISE NOTED
 1) DIMENSIONS ARE IN INCHES (MILLIMETER)
 2) TOLERANCES:
 .XXX ± 0.25 (6.35)

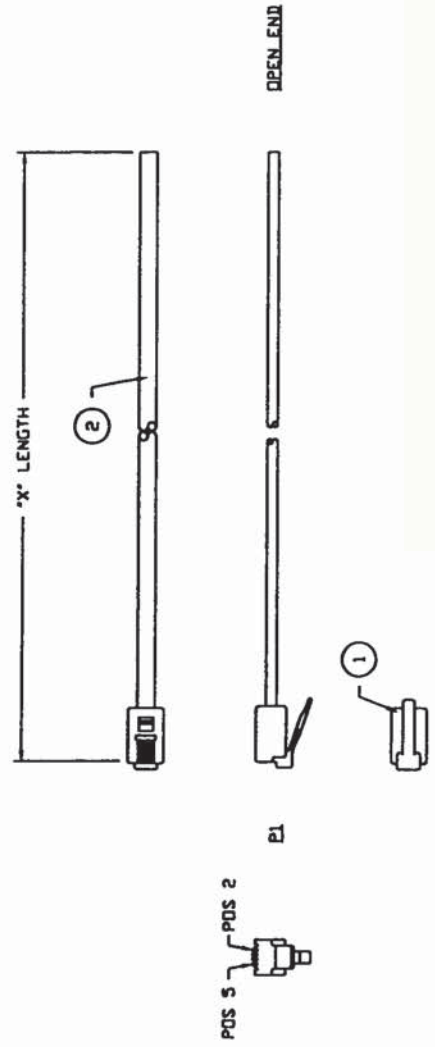
I/O INTERCONNECT SANTA ANA, CALIFORNIA	
PART NO. 464-XX4-522-D	REV. X1
DRAWING NO. 464-XX4-522-D	CUSTOMER DIGI KEY
SCALE NONE	SHEET 1 OF 1

ITEM	QTY	MFG.	IOI PART NO.	DESCRIPTION
2	*X*	IOI	120-410-020	MODULAR CABLE, 26 AVG (7/34) BARE COPPER, 4 CONDUCTOR, UNSHIELDED, WHITE PVC.
1	1 PC	IOI	325-641-50X	CONNECTOR, MODULAR PLUG, 6 POSITION, 4 CONDUCTOR, 50" AW, FLAT TYPE EXIT.

CABLE ASSEMBLY PARTS LIST

A	B	C	D	E	F	G	H
DWG. NO. XX4-521-D		ZONE REV. XI	DESCRIPTION CUSTOMER APPROVAL	DATE 03/24/99	APPROVED E.V.		

THESE DRAWINGS AND SPECIFICATIONS ARE THE SOLE PROPERTY OF I/O INTERCONNECT INC. NO PARTS OR INFORMATION FROM THESE DRAWINGS ARE TO BE REPRODUCED OR USED IN ANY MANNER WITHOUT THE WRITTEN CONSENT OF I/O INTERCONNECT INC. OR ITS AFFILIATED SUBSIDIARIES.



WIRE DIAGRAM

1	OPEN END
2	BLACK
3	RED
4	GREEN
5	YELLOW

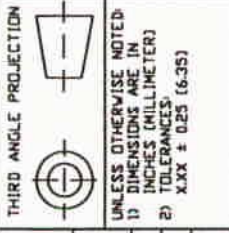
CUSTOMER APPROVAL
 ENGR. SIGN *Matt Armes*
 DATE: 4-12-99

H3642-25-ND
 H3642-14-ND
 H3642-07-ND

- NOTES: UNLESS OTHERWISE SPECIFIED.
1. CABLE TO BE BUNDLED AND TWIST TIED.
 2. TEST CABLE FOR ALL OPENS & SHORTS.
 3. PACKAGE CABLE ASSEMBLY INDIVIDUALLY IN PLASTIC BAG. PACKAGE INDIVIDUAL BAG PER LOT NUMBER QUANTITIES.

464-254-521-D	25.0 FT ± 4.0 IN 7.62 M ± 101.6 MM
464-144-521-D	14.0 FT ± 3.0 IN 4.27 M ± 76.2 MM
464-074-521-D	7.0 FT ± 2.0 IN 2.13 M ± 50.8 MM

I/O INTERCONNECT	
SANTA ANA, CALIFORNIA	
TITLE	6PAC MODULAR TO OPEN END, BLACK, CABLE ASSEMBLY
PART NO.	464-XX4-521-D
DWG. NO.	464-XX4-521-D
CUSTOMER	DIGI KEY
SCALE	NONE
SHEET	1 OF 1



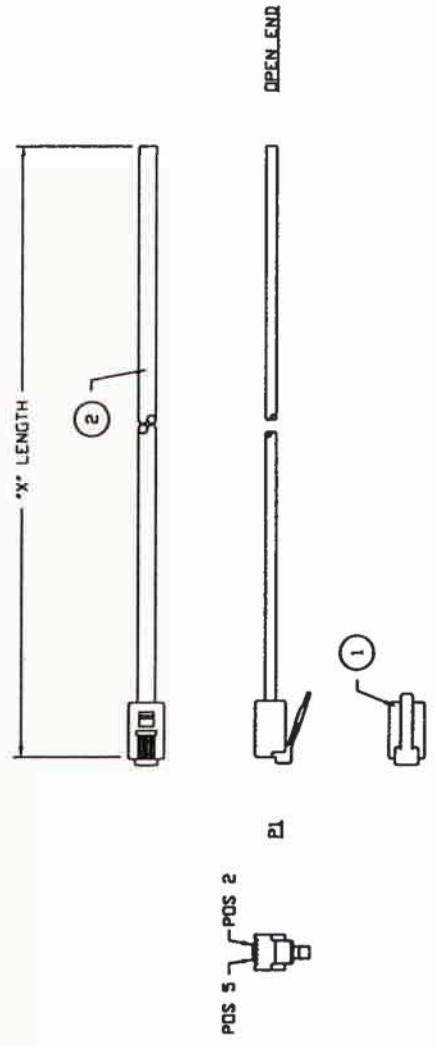
UNLESS OTHERWISE NOTED
 1) DIMENSIONS ARE IN INCHES (MILLIMETER)
 2) TOLERANCES:
 X.XX ± 0.25 (6.35)

ITEM	QTY	MFG.	IDI PART NO.	DESCRIPTION
2	1	IDI	120-410-010	MODULAR CABLE, 26 AVG (7/34) BARE COPPER, 4 CONDUCTOR, UNSHIELDED, BLACK PVC.
1	1	IDI	325-641-50X	CONNECTOR, MODULAR PLUG, 6 POSITION, 4 CONDUCTOR, 50U" AU, FLAT TYPE EXIT.

CABLE ASSEMBLY PARTS LIST

A	B	C	D	E	F	G	H
DRG. NO.	ZDNE	REV.	DESCRIPTION	DATE	APPROVED		
XX4-520-D		X1	CUSTOMER APPROVAL	03/24/99	E.V.		

THESE DRAWINGS AND SPECIFICATIONS ARE THE SOLE PROPERTY OF I/O INTERCONNECT INC. NO PARTS MAY BE REPRODUCED OR TRANSMITTED IN ANY FORM OR BY ANY MEANS WITHOUT THE WRITTEN CONSENT OF I/O INTERCONNECT INC. OR ITS AFFILIATED SUBSIDIARIES.



WIRE DIAGRAM

PI	OPEN END
2	BLACK
3	RED
4	GREEN
5	YELLOW

CUSTOMER APPROVAL
 ENGR. SIGN *Math Arnold*
 DATE: 4-12-99

- NOTES: UNLESS OTHERWISE SPECIFIED.
1. CABLE TO BE BUNDLED AND TWIST TIED.
 2. TEST CABLE FOR ALL OPENS & SHORTS.
 3. PACKAGE CABLE ASSEMBLY INDIVIDUALLY IN PLASTIC BAG. PACKAGE INDIVIDUAL BAG PER LOT NUMBER QUANTITIES.

H3643-25-ND
 H3643-14-ND
 H3643-07-ND

464-254-520-D	23.0 FT ± 4.0 IN 7.62 M ± 101.6 MM
464-144-520-D	14.0 FT ± 3.0 IN 4.27 M ± 76.2 MM
464-074-520-D	7.0 FT ± 2.0 IN 2.13 M ± 50.8 MM
PART NUMBER	LENGTH *X*
I/O INTERCONNECT	



UNLESS OTHERWISE NOTED
 1) DIMENSIONS ARE IN INCHES (MILLIMETER)
 2) TOLERANCES:
 X.XX ± 0.25 (6.35)

I/O INTERCONNECT	
SANTA ANA, CALIFORNIA	
TITLE	6P4C MODULAR TO OPEN END, SILVER SATIN, CABLE ASSEMBLY
PART NO.	464-XX4-520-D
REV.	464-XX4-520-D
CUSTOMER	DIGI KEY
SCALE	NONE
SHEET	1 OF 1

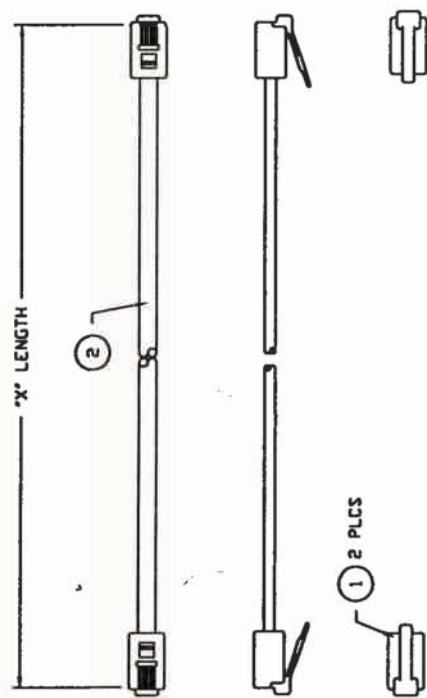
MODULAR CABLE, 26 AVG (7/34) BARE COPPER, 4 CONDUCTOR, UNSHIELDED, SILVER SATIN PVC.

CONNECTOR, MODULAR PLUG, 6 POSITION, 4 CONDUCTOR, 50u" AU, FLAT TYPE EXIT.

ITEM	QTY	MFG	IDI PART NO.	DESCRIPTION
2	1	IDI	120-410-000	MODULAR CABLE, 26 AVG (7/34) BARE COPPER, 4 CONDUCTOR, UNSHIELDED, SILVER SATIN PVC.
1	1	IDI	325-641-50X	CONNECTOR, MODULAR PLUG, 6 POSITION, 4 CONDUCTOR, 50u" AU, FLAT TYPE EXIT.

CABLE ASSEMBLY PARTS LIST

THESE DRAWINGS AND SPECIFICATIONS ARE THE SOLE PROPERTY OF I/O INTERCONNECT INC., U.S.A. AND SHALL NOT BE REPRODUCED, COPIED, OR USED IN ANY MANNER WITHOUT THE PRIOR WRITTEN CONSENT OF I/O INTERCONNECT INC. OR ITS AFFILIATED SUBSIDIARIES.



WIRE DIAGRAM

P1	BLACK	P2
2	RED	5
3	GREEN	4
4	YELLOW	3
5		2

CUSTOMER APPROVAL
ENGR. SIGN Matt Linnell
DATE: 4-12-99

H1641 - 25-ND
H1641 - 14-ND
H1641 - 07-ND

- NOTES: UNLESS OTHERWISE SPECIFIED.
1. CABLE TO BE BUNDLED AND TWIST TIED.
 2. TEST CABLE FOR ALL OPENS & SHORTS.
 3. PACKAGE CABLE ASSEMBLY INDIVIDUALLY IN PLASTIC BAG. PACKAGE INDIVIDUAL BAG PER LOT NUMBER QUANTITIES.

464-254-512-D	25.0 FT ± 4.0 IN 7.62 M ± 101.6 MM
464-144-512-D	14.0 FT ± 3.0 IN 4.27 M ± 76.2 MM
464-074-512-D	7.0 FT ± 2.0 IN 2.13 M ± 50.8 MM
PART NUMBER I/O INTERCONNECT	LENGTH "X"

I/O INTERCONNECT
SANTA ANA, CALIFORNIA

WIRE DIA. _____ WIRE _____
CABLE DIA. _____ CABLE _____

6P4C MODULAR, STANDARD STYLE,
WHITE, CABLE ASSEMBLY

PART NO. 464-XX4-512-D
DWG NO. 464-XX4-512-D
CUSTOMER CUSTOMER DIGI KEY X1

REV. X1

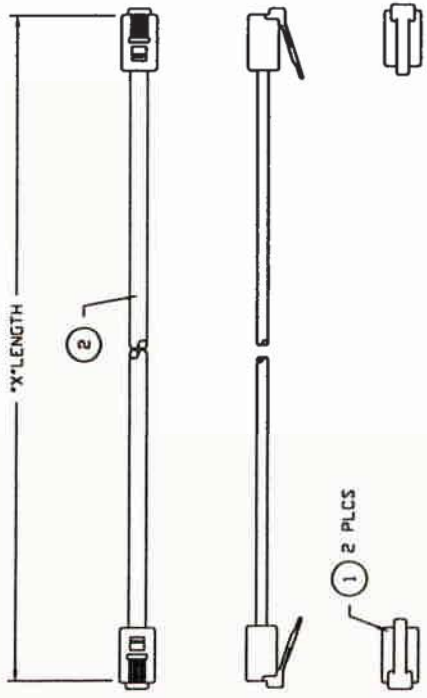
THIRD ANGLE PROJECTION

UNLESS OTHERWISE NOTED
1) DIMENSIONS ARE IN INCHES (MILLIMETER)
2) TOLERANCES:
XXX ± 0.25 (6.35)

ITEM	QTY	MFG.	IOI PART NO.	DESCRIPTION
2	"X"	IOI	120-410-020	MODULAR CABLE, 26 AVG (7/34) BARE COPPER, 4 CONDUCTOR, UNSHIELDED, WHITE PVC
1	2 PCS	IOI	325-641-50X	CONNECTOR, MODULAR PLUG, 6 POSITION, 4 CONDUCTOR, 50U" AU, FLAT TYPE EXIT.

CABLE ASSEMBLY PARTS LIST

A	B	C	D	E	F	G	H
THESE DRAWINGS AND SPECIFICATIONS ARE THE SOLE PROPERTY OF I/O INTERCONNECT INC. USA AND SHALL NOT BE REPRODUCED, COPIED OR USED IN ANY MANNER WITHOUT THE WRITTEN CONSENT OF I/O INTERCONNECT INC OR ITS AFFILIATED SUBSIDIARIES.		DWG. NO. XX4-511-D	ZONE	REV. X1	DESCRIPTION CUSTOMER APPROVAL	DATE 03/24/99	APPROVED E.V.



WIRE DIAGRAM

PL	PR
2	BLACK
3	RED
4	GREEN
5	YELLOW

CUSTOMER APPROVAL
ENGR. SIGN *Math Larose*
DATE: 4-12-99

- NOTES: UNLESS OTHERWISE SPECIFIED.
- CABLE TO BE BUNDLED AND TWIST TIED.
 - TEST CABLE FOR ALL OPENS & SHORTS.
 - PACKAGE CABLE ASSEMBLY INDIVIDUALLY IN PLASTIC BAG. PACKAGE INDIVIDUAL BAG PER LOT NUMBER QUANTITIES.

464-254-511-D	25.0 FT ± 4.0 IN 7.62 M ± 101.6 MM
464-144-511-D	14.0 FT ± 3.0 IN 4.27 M ± 76.2 MM
464-074-511-D	7.0 FT ± 2.0 IN 2.13 M ± 50.8 MM
PART NUMBER	LENGTH "X"

THIRD ANGLE PROJECTION

UNLESS OTHERWISE NOTED
 1) DIMENSIONS ARE IN INCHES (MILLIMETER)
 2) TOLERANCES
 X.XX ± 0.25 (6.35)

I/O INTERCONNECT
 SANTA ANA, CALIFORNIA

6P4C MODULAR, STANDARD STYLE, BLACK, CABLE ASSEMBLY

PART NO. 464-XX4-511-D
 REV. X1

DIGI KEY

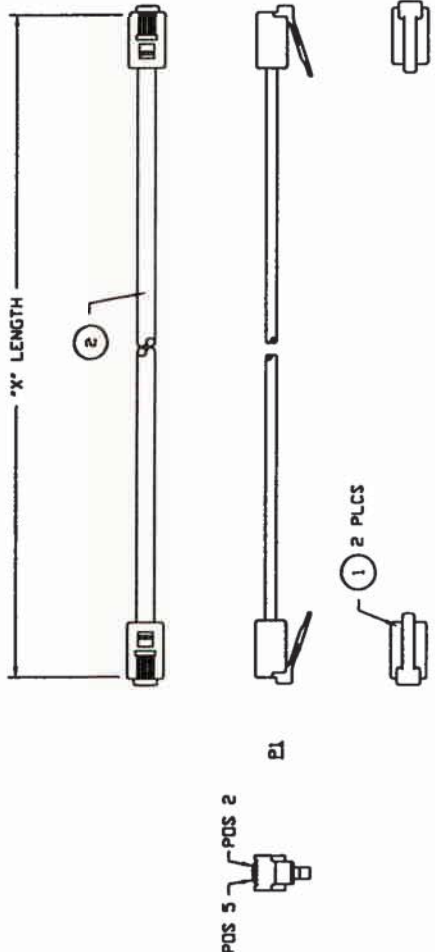
REV. X1

SHEET 1 OF 1

2	"X"	IDI	120-410-010	MODULAR CABLE, 26 AVG (7/34) BARE COPPER, 4 CONDUCTOR, UNSHIELDED, BLACK PVC.
1	2 PCS	IDI	325-641-50X	CONNECTOR, MODULAR PLUG, 6 POSITION, 4 CONDUCTOR, 50u" Au, FLAT TYPE EXIT.
ITEM	QTY	MFG.	IDI PART NO.	DESCRIPTION

CABLE ASSEMBLY PARTS LIST

THESE DRAWINGS AND SPECIFICATIONS ARE THE SOLE PROPERTY OF I/O INTERCONNECT INC. ANY REPRODUCTION OR USE WITHOUT THE WRITTEN CONSENT OF I/O INTERCONNECT INC. OR ITS AFFILIATED SUBSIDIARIES.



WIRE DIAGRAM

P1	P2
2	5
3	4
4	3
5	2

CUSTOMER APPROVAL
ENGR. SIGN Matt Yarnall
DATE: 4-12-99

NOTES: UNLESS OTHERWISE SPECIFIED.

- CABLE TO BE BUNDLED AND TWIST TIED.
- TEST CABLE FOR ALL OPENS & SHORTS.
- PACKAGE CABLE ASSEMBLY INDIVIDUALLY IN PLASTIC BAG. PACKAGE INDIVIDUAL BAG PER LOT NUMBER QUANTITIES.

H1643-25-ND
H1643-14-ND
H1643-07-ND

464-254-510-D	25.0 FT ± 4.0 IN 7.62 M ± 101.6 MM
464-144-510-D	14.0 FT ± 3.0 IN 4.27 M ± 76.2 MM
464-074-510-D	7.0 FT ± 2.0 IN 2.13 M ± 50.8 MM
PART NUMBER	LENGTH "X"

THIRD ANGLE PROJECTION

UNLESS OTHERWISE NOTED:
1) DIMENSIONS ARE IN INCHES (MILLIMETER)
2) TOLERANCES:
XXX ± 0.25 (6-35)

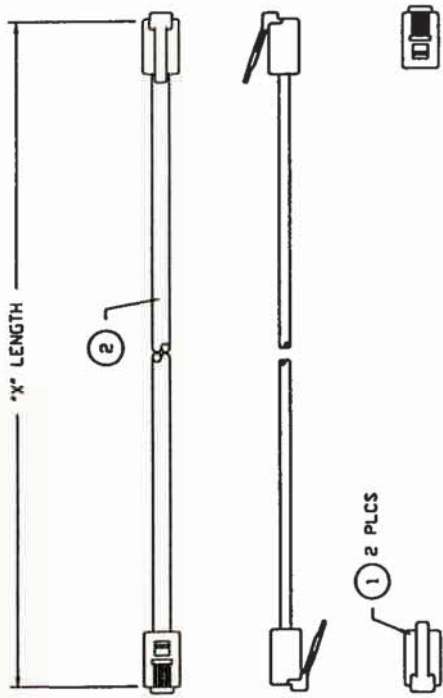
REV. X1	REV. X1
DWG. NO. 464-XX4-510-D	DWG. NO. 464-XX4-510-D
PART NO. 464-XX4-510-D	PART NO. 464-XX4-510-D
DATE	DATE
DESIGNER	DESIGNER
CHECKED	CHECKED
APPROVED	APPROVED
SCALE NONE	SHEET 1 OF 1

MODULAR CABLE, 26 AWG (7/34) BARE COPPER, 4 CONDUCTOR, UNSHIELDED, SILVER SATIN PVC.
CONNECTOR, MODULAR PLUG, 6 POSITION, 4 CONDUCTOR, 50u Au, FLAT TYPE EXIT.

CABLE ASSEMBLY PARTS LIST

ITEM	QTY	MFG.	IDI PART NO.	DESCRIPTION
2	1	IDI	120-410-000	MODULAR CABLE, 26 AWG (7/34) BARE COPPER, 4 CONDUCTOR, UNSHIELDED, SILVER SATIN PVC.
1	2	IDI	325-641-50X	CONNECTOR, MODULAR PLUG, 6 POSITION, 4 CONDUCTOR, 50u Au, FLAT TYPE EXIT.

A	B	C	D	E	F	G	H	
THESE DRAWINGS AND SPECIFICATIONS ARE THE SOLE PROPERTY OF I/O INTERCONNECT INC. NO PARTS OR MATERIALS ARE TO BE REPRODUCED OR USED IN ANY MANNER WITHOUT THE WRITTEN CONSENT OF I/O INTERCONNECT INC. OR ITS AFFILIATED SUBSIDIARIES.		DWG. NO. XX4-502-D	REV. X1	DESCRIPTION CUSTOMER APPROVAL	DATE 03/24/99	APPROVED E.V.		



WIRE DIAGRAM

P1	2	3	4	5
	BLACK	RED	GREEN	YELLOW
P2	2	3	4	5
	BLACK	RED	GREEN	YELLOW

CUSTOMER APPROVAL
 ENGR. SIGN Math Lopez
 DATE: 4-12-99

- NOTES: UNLESS OTHERWISE SPECIFIED.
- CABLE TO BE BUNDLED AND TWIST TIED.
 - TEST CABLE FOR ALL OPENS & SHORTS.
 - PACKAGE CABLE ASSEMBLY INDIVIDUALLY IN PLASTIC BAG. PACKAGE INDIVIDUAL BAG PER LOT NUMBER QUANTITIES.

464-254-502-D	25.0 FT ± 4.0 IN 7.62 M ± 101.6 MM
464-144-502-D	14.0 FT ± 3.0 IN 4.27 M ± 76.2 MM
464-074-502-D	7.0 FT ± 2.0 IN 2.13 M ± 50.8 MM
PART NUMBER I/O INTERCONNECT	LENGTH 'X'

THIRD ANGLE PROJECTION

UNLESS OTHERWISE NOTED
 1) DIMENSIONS ARE IN INCHES (MILLIMETERS)
 2) TOLERANCES:
 XXX ± 0.25 (6.35)

IN. NO.	REV.	DATE	BY

TITLE: I/O INTERCONNECT
 SANTA ANA, CALIFORNIA

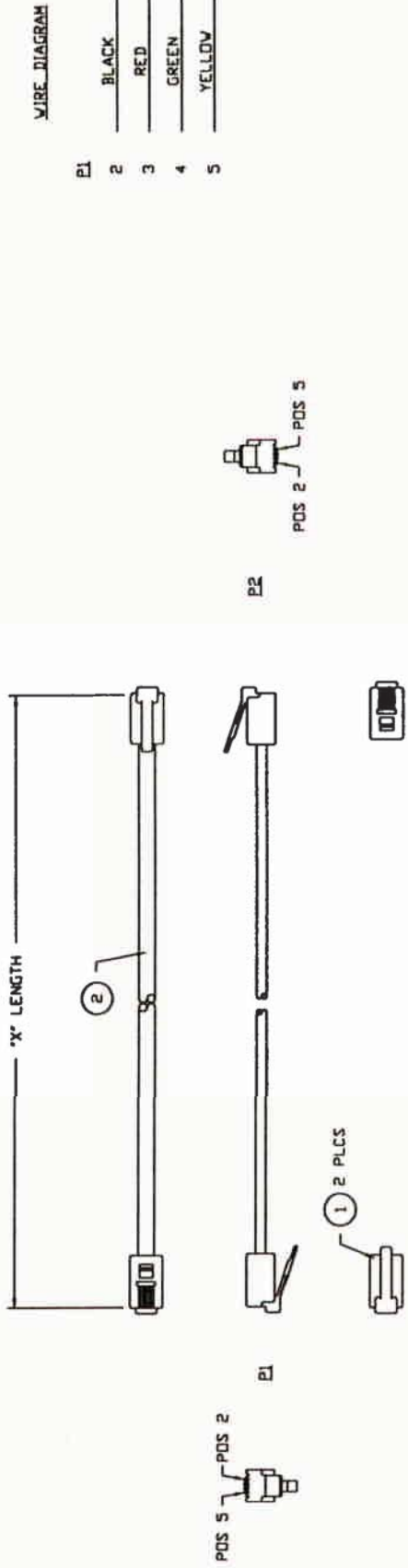
6P4C MODULAR, REVERT STYLE,
 WHITE, CABLE ASSEMBLY

PART NO.	464-XX4-502-D
DWG. NO.	464-XX4-502-D
CUSTOMER	DIIGI KEY
SCALE	NONE
SHEET	1 OF 1

ITEM	QTY	MFG.	IOI PART NO.	DESCRIPTION
2	101	120-410-020		MODULAR CABLE, 26 AVG (7/34) BARE COPPER, 4 CONDUCTOR, UNSHIELDED, WHITE PVC.
1	2 PCS	IOI	325-641-50X	CONNECTOR, MODULAR PLUG, 6 POSITION, 4 CONDUCTOR, 50U" AW, FLAT TYPE EXIT.

CABLE ASSEMBLY PARTS LIST

THESE DRAWINGS AND SPECIFICATIONS ARE THE SOLE PROPERTY OF I/O INTERCONNECT INC. U.S. AND FOREIGN PATENTS AND TRADEMARKS ARE RESERVED FOR I/O INTERCONNECT INC. OR ITS AFFILIATED SUBSIDIARIES. PRIOR WRITTEN CONSENT OF I/O INTERCONNECT INC. IS REQUIRED FOR REPRODUCTION.



WIRE DIAGRAM

P1	BLACK	P2
2	RED	2
3	GREEN	3
4	YELLOW	4
5		5

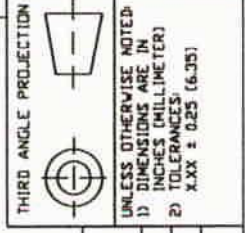
CUSTOMER APPROVAL
 ENGR. SIGN Y. Matt James
 DATE: 4-12-99

- NOTES: UNLESS OTHERWISE SPECIFIED.
- CABLE TO BE BUNDLED AND TWIST TIED.
 - TEST CABLE FOR ALL OPENS & SHORTS.
 - PACKAGE CABLE ASSEMBLY INDIVIDUALLY IN PLASTIC BAG. PACKAGE INDIVIDUAL BAG PER LOT NUMBER QUANTITIES.

H2642-25-ND
 H2642-14-ND
 H2642-07-ND

464-254-501-D	250 FT ± 4.0 IN 7.62 M ± 101.6 MM
464-144-501-D	14.0 FT ± 3.0 IN 4.27 M ± 76.2 MM
464-074-501-D	7.0 FT ± 2.0 IN 2.13 M ± 50.8 MM

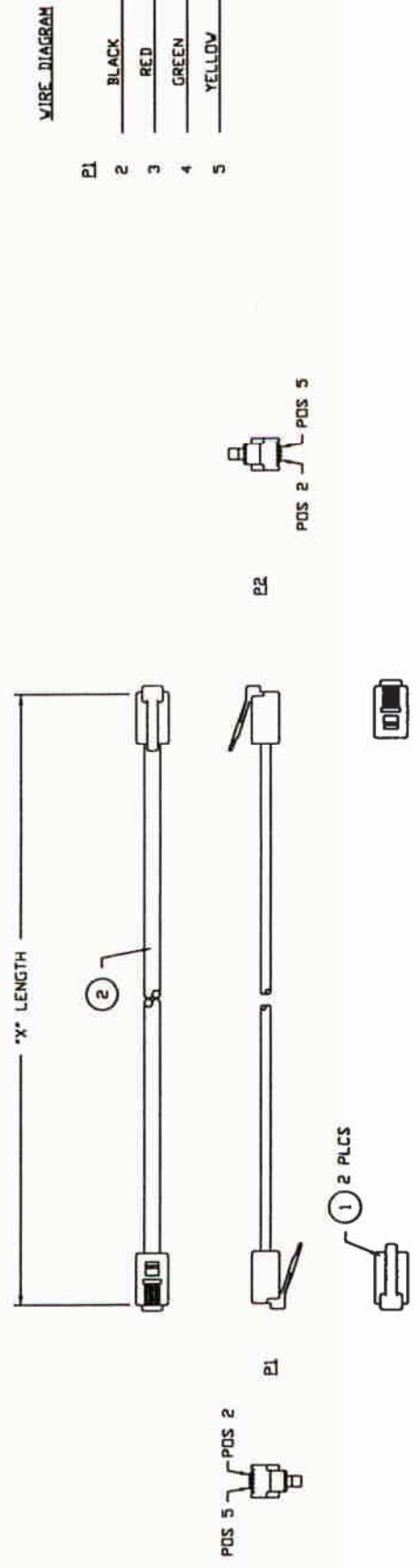
PART NUMBER I/O_INTERCONNECT		LENGTH 'X'
I/O INTERCONNECT SANTA ANA, CALIFORNIA		
DR. NO.	DR. NO.	DR. NO.
DATE	DATE	DATE
REV.	REV.	REV.
SCALE	SCALE	SCALE
SHEET	SHEET	SHEET
OF	OF	OF



ITEM	QTY	MFG.	IOI PART NO.	DESCRIPTION
2			120-410-010	MODULAR CABLE, 26 AVG (7/34) BARE COPPER, 4 CONDUCTOR, UNSHIELDED, BLACK PVC.
1	2 PCS	IOI	325-641-50X	CONNECTOR, MODULAR PLUG, 6 POSITION, 4 CONDUCTOR, 50U" ALL, FLAT TYPE EXIT.

CABLE ASSEMBLY PARTS LIST

A	B	C	D	E	F	G	H
THESE DRAWINGS AND SPECIFICATIONS ARE THE SOLE PROPERTY OF I/O INTERCONNECT INC. U.S.A. AND SHALL NOT BE REPRODUCED, COPIED, OR USED IN ANY MANNER WITHOUT THE WRITTEN CONSENT OF I/O INTERCONNECT INC OR ITS AFFILIATED SUBSIDIARIES.		DWG. NO. XX4-500-D	ZONE	REV. X1	DESCRIPTION CUSTOMER APPROVAL	DATE 03/24/99	APPROVED E.V.



CUSTOMER APPROVAL
 ENGR. SIGN Matt Lammie
 DATE: 4-12-99

- NOTES: UNLESS OTHERWISE SPECIFIED.
1. CABLE TO BE BUNDLED AND TWIST TIED.
 2. TEST CABLE FOR ALL OPENS & SHORTS.
 3. PACKAGE CABLE ASSEMBLY INDIVIDUALLY IN PLASTIC BAG. PACKAGE INDIVIDUAL BAG PER LOT NUMBER QUANTITIES.

H2643-25-ND
 H2643-14-ND
 H2643-07-ND

464-254-500-D	25.0 FT ± 4.0 IN 7.62 M ± 101.6 MM
464-144-500-D	14.0 FT ± 3.0 IN 4.27 M ± 76.2 MM
464-074-500-D	7.0 FT ± 2.0 IN 2.13 M ± 50.8 MM
PART NUMBER I/O INTERCONNECT	LENGTH "X"

THIRD ANGLE PROJECTION

UNLESS OTHERWISE NOTED:
 1) DIMENSIONS ARE IN INCHES (MILLIMETER)
 2) TOLERANCES:
 .XXX ± 0.25 (6.35)

I/O INTERCONNECT
 SANTA ANA, CALIFORNIA

TITLE	6P4C MODULAR, REVERT STYLE, SILVER SATIN, CABLE ASSEMBLY
PART NO.	464-XX4-500-D
DRAWN	
CHECKED	
DATE	
SCALE	NDNE
SHEET	1 OF 1

ITEM	QTY	MFG.	IDI PART NO.	DESCRIPTION
2	*X*	IDI	120-410-000	MODULAR CABLE, 26 AVG (7/34) BARE COPPER, 4 CONDUCTOR, UNSHIELDED, SILVER SATIN PVC.
1	2 PCS	IDI	325-641-50X	CONNECTOR, MODULAR PLUG, 6 POSITION, 4 CONDUCTOR, 50U* Au, FLAT TYPE EXIT.

CABLE ASSEMBLY PARTS LIST

X-ON Electronics

Largest Supplier of Electrical and Electronic Components

Click to view similar products for [io interconnect manufacturer](#):

Other Similar products are found below :

[488-078-504-D](#) [488-078-503-D](#) [GLF-488-078-512-D](#) [444-074-505-D](#) [464-074-522-D](#) [GLF-464-254-500-D](#) [GLF-444-104-511-D](#) [488-148-513-D](#) [GLF-464-144-521-D](#) [GLF-444-074-523-D](#) [444-074-510-D](#)