

## IA18012W

### INDUCTIVE SENSORS • INCREASED AMBIENT TEMPERATURE

sensor inductive, preferential, M18x1 65long, Flush, Sn: 5, 10-30V DC, -40-100°C, PNP NO, Connector M12 3pin, IP67, Brass Nickel-plated



#### MECHANICAL FEATURES

Active area material of sensor	PA 6.6 (synthetic)
Alignment of cable entry	Axial
Ambient temperature	-40 °C ... 100 °C
Ambient temperatures < -25°C	+
Cable infeed	Axial
Degree of protection (IP)	IP67
Design	Cylinder, screw-thread
Housing coating	Nickel-plated
Housing material	Brass
Increased ambient temperatures > 80°C	+
Mechanical mounting condition for sensor	Flush
Pressure-proof	-
Sensor length	65 mm
Thread pitch	1 mm
Thread size, metric	18

#### ELECTRICAL FEATURES

Cascadable	-
Correction factor (aluminum)	0.3
Correction factor (brass)	0.4
Correction factor (copper)	0.2
Correction factor (St37)	1
Correction factor (stainl. steel)	0.7
Hysteresis	15 %
No-load current	15 mA
Number of pins	3
Rated switching current	200 mA
Relative repeat accuracy	10 %
Reverse polarity protection	+
Short-circuit protection	+
Suitable for safety functions	-
Supply voltage	10 V ... 30 V
Switching distance	5 mm

## ELECTRICAL FEATURES

Switching frequency	1000 Hz
Type of electrical connection	Connector M12
Type of switching function	Normally open contact
Type of switching output	PNP
Voltage drop	2 V
Voltage type	DC
With LED display	+
With monitoring function of downstream devices	-

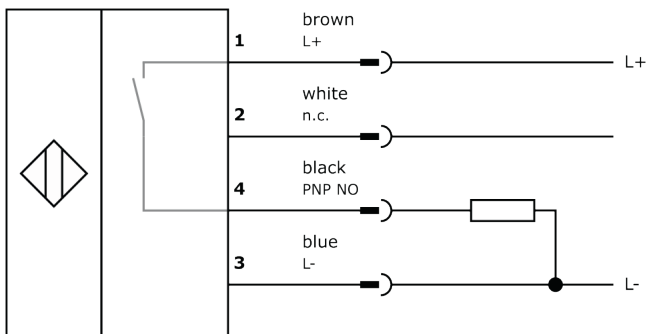
## Other

Packaging dimensions	77.0mm x 25.0mm x 123.0mm
Shipping weight	0.06kg
Tariff code	85365019

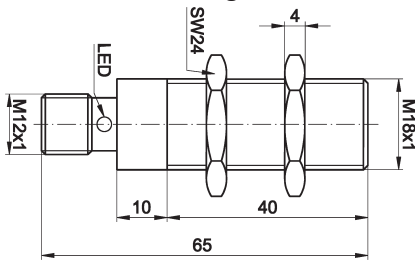
## Classification

ipf product group	202
eClass 8.0	27270101
eClass 9.0	27270101
eClass 9.1	27270101
ETIM-5.0	EC002714
ETIM-6.0	EC002714
ETIM-7.0	EC002714

## Connection



## Dimensional drawing



## Installation



Mounting / installation may only be carried out by a qualified electrician!

## Disposal



## Safety warnings

Before initial operation, please make sure to follow all safety instructions that may be provided in the product information. Never use these devices in applications where the safety of a person depends on their functionality. LED lighting systems can generate intensive UV radiation, which can damage your eyes in case of improper use. The manufacturer cannot be held responsible for damages that result from improper use or connection.

## X-ON Electronics

Largest Supplier of Electrical and Electronic Components

*Click to view similar products for [Proximity Sensors](#) category:*

*Click to view products by [IPF ELECTRONIC](#) manufacturer:*

Other Similar products are found below :

[01.001.5653.1](#) [70.340.1028.0](#) [70.360.2428.0](#) [70.364.4828.0](#) [70.810.1053.0](#) [72.360.1628.0](#) [73.363.6428.0](#) [8027AL20NL2CPXX](#) [FYCC8E1-2](#)  
[9221350022](#) [922AA2W-A9P-L](#) [PLS2](#) [GL-12F-C2.5X10\(LOT3\)](#) [972AB2XM-A3N-L](#) [972AB3XM-A3P-L](#) [PS3251](#) [980659-1](#) [QT-12](#) [E2E2-](#)  
[X5M41-M4](#) [E2E-X14MD1-G](#) [E2E-X2D1-G](#) [E2EX2ME2N](#) [E2EX3D1SM1N](#) [E2E-X4MD1-G](#) [E2E-X5E1-5M-N](#) [E2E-X5Y2-N](#) [E2E-X7D1-](#)  
[M1J-T-0.3M-N](#) [E2K-F10MC1](#) [5M](#) [EH-302](#) [EI3010TBOP](#) [EI5515NPAP](#) [MS605AU](#) [EP175-32000](#) [IFRM04N35B1/L](#) [IFRM04P1513/S35L](#)  
[IFRM06P1703/S35L](#) [IFRM08P1501/S35L](#) [IFRM12N17G3/L](#) [IFRM12P17G3/L](#) [IFRM12P3502/L](#) [IFRM12P37G1/S14L](#) [ILFK12E9189/I02](#)  
[ILFK12E9193/I02](#) [IMM2582C](#) [OISN-013](#) [25.161.3253.0](#) [25.332.0653.1](#) [25.352.0653.0](#) [25.352.0753.0](#) [25.523.3253.0](#)