

IB040174

INDUCTIVE SENSORS • NORM SWITCHING DISTANCE

sensor inductive, M4x0.5 22long, Flush, Sn: 0.6, 10-30V DC, PNP NO, IO-Link, Cable connector M8 3pin 0.15m, IP67, V4A



MECHANICAL FEATURES

Active area material of sensor	Plastic PET
Alignment of cable entry	Axial
Ambient temperature	-25 °C ... 70 °C
Cable infeed	Axial
Cable length	0.15 m
Degree of protection (IP)	IP67
Design	Cylinder, screw-thread
Housing material	Stainless steel 1.4404
Max. tightening torque	0.8 Nm
Mechanical mounting condition for sensor	Flush
Pressure-proof	-
Sensor length	22 mm
Thread length	19 mm
Thread pitch	0.5 mm
Thread size, metric	4

ELECTRICAL FEATURES

Cascadable	-
Correction factor (aluminum)	0.3
Correction factor (brass)	0.4
Correction factor (copper)	0.2
Correction factor (St37)	1
Correction factor (stainl. steel)	0.7
Hysteresis	15 %
IO-Link compatible	+
No-load current	5.5 mA
Norm measuring plate	4x4x1
Number of pins	3
Rated switching current	100 mA
Relative repeat accuracy	10 %
Reverse polarity protection	+
Short-circuit protection	+
Suitable for safety functions	-

ELECTRICAL FEATURES

Supply voltage	10 V ... 30 V
Switching distance	0.6 mm
Switching frequency	5000 Hz
Type of electrical connection	Cable connector M8
Type of switching function	Normally open contact
Type of switching output	PNP
Voltage drop	1.5 V
Voltage type	DC
With LED display	+
With monitoring function of downstream devices	-

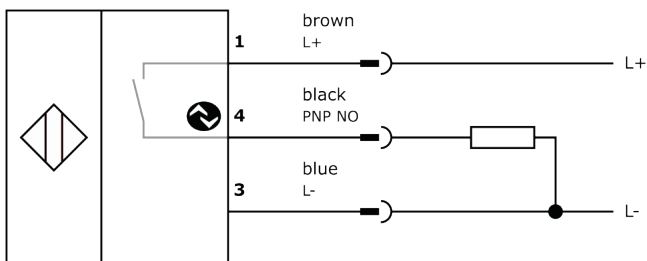
Other

Packaging dimensions	100mm x 17.0mm x 120mm
Shipping weight	0.01kg
Tariff code	85365019

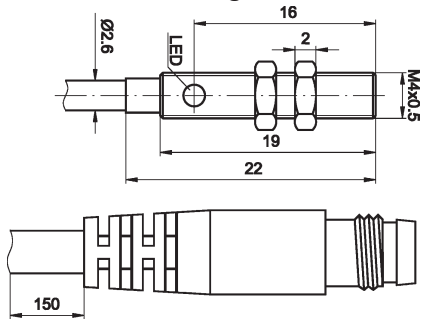
Classification

ipf product group	203
eClass 8.0	27270101
eClass 9.0	27270101
eClass 9.1	27270101
ETIM-5.0	EC002714
ETIM-6.0	EC002714
ETIM-7.0	EC002714

Connection



Dimensional drawing



Installation



Mounting / installation may only be carried out by a qualified electrician!

Disposal



Software

Any software, drivers or IODD files that may be required to operate your device can be downloaded free of charge from our homepage: www.ipf-electronic.com

Safety warnings

Before initial operation, please make sure to follow all safety instructions that may be provided in the product information. Never use these devices in applications where the safety of a person depends on their functionality.

LED lighting systems can generate intensive UV radiation, which can damage your eyes in case of improper use. The manufacturer cannot be held responsible for damages that result from improper use or connection.

X-ON Electronics

Largest Supplier of Electrical and Electronic Components

Click to view similar products for [Proximity Sensors](#) category:

Click to view products by [IPF ELECTRONIC](#) manufacturer:

Other Similar products are found below :

[01.001.5653.1](#) [70.340.1028.0](#) [70.360.2428.0](#) [70.364.4828.0](#) [70.810.1053.0](#) [72.360.1628.0](#) [73.363.6428.0](#) [8027AL20NL2CPXX](#) [FYCC8E1-2](#)
[9221350022](#) [922AA2W-A9P-L](#) [PLS2](#) [GL-12F-C2.5X10\(LOT3\)](#) [972AB2XM-A3N-L](#) [972AB3XM-A3P-L](#) [PS3251](#) [980659-1](#) [QT-12](#) [E2E2-](#)
[X5M41-M4](#) [E2E-X14MD1-G](#) [E2E-X2D1-G](#) [E2EX2ME2N](#) [E2EX3D1SM1N](#) [E2E-X4MD1-G](#) [E2E-X5E1-5M-N](#) [E2E-X5Y2-N](#) [E2E-X7D1-](#)
[M1J-T-0.3M-N](#) [E2K-F10MC1](#) [5M](#) [EH-302](#) [EI3010TBOP](#) [EI5515NPAP](#) [MS605AU](#) [EP175-32000](#) [IFRM04N35B1/L](#) [IFRM04P1513/S35L](#)
[IFRM06P1703/S35L](#) [IFRM08P1501/S35L](#) [IFRM12N17G3/L](#) [IFRM12P17G3/L](#) [IFRM12P3502/L](#) [IFRM12P37G1/S14L](#) [ILFK12E9189/I02](#)
[ILFK12E9193/I02](#) [IMM2582C](#) [OISN-013](#) [25.161.3253.0](#) [25.332.0653.1](#) [25.352.0653.0](#) [25.352.0753.0](#) [25.523.3253.0](#)