

IB05C232

INDUCTIVE SENSORS • INCREASED SWITCHING DISTANCE

sensor inductive, M5x0.5 25long, Quasi-flat, Sn: 2.5, 10-30V DC, PNP
NO, Cable connector M12 0.6m PVC, IP67, Brass, Static



MECHANICAL FEATURES

| | |
|--|------------------------|
| Active area material of sensor | PPO |
| Alignment of cable entry | Axial |
| Ambient temperature | -25 °C ... 70 °C |
| Cable infeed | Axial |
| Cable length | 0.6 m |
| Degree of protection (IP) | IP67 |
| Design | Cylinder, screw-thread |
| Housing material | Brass |
| Material of cable sheath | PVC |
| Max. tightening torque | 1.5 Nm |
| Mechanical mounting condition for sensor | Quasi-flat |
| Number of cores | 3 |
| Pressure-proof | - |
| Sensor length | 25 mm |
| Thread pitch | 0.5 mm |
| Thread size, metric | 5 |
| Wire cross section | 0.14 mm ² |

ELECTRICAL FEATURES

| | |
|-----------------------------------|---------------|
| Cascadable | - |
| Correction factor (aluminum) | 0.33 |
| Correction factor (brass) | 0.42 |
| Correction factor (copper) | 0.3 |
| Correction factor (St37) | 1 |
| Correction factor (stainl. steel) | 0.67 |
| Hysteresis | 8 % |
| No-load current | 10 mA |
| Norm measuring plate | 7.5x7.5x1 |
| Rated switching current | 200 mA |
| Readiness delay | 30 ms |
| Residual ripple | 20 % |
| Suitable for safety functions | - |
| Supply voltage | 10 V ... 30 V |

ELECTRICAL FEATURES

| | |
|--|-----------------------|
| Switching behavior of the output | Static |
| Switching distance | 2.5 mm |
| Switching frequency | 800 Hz |
| Type of electrical connection | Cable connector M12 |
| Type of switching function | Normally open contact |
| Type of switching output | PNP |
| Voltage drop | 2 V |
| Voltage type | DC |
| With LED display | + |
| With monitoring function of downstream devices | - |

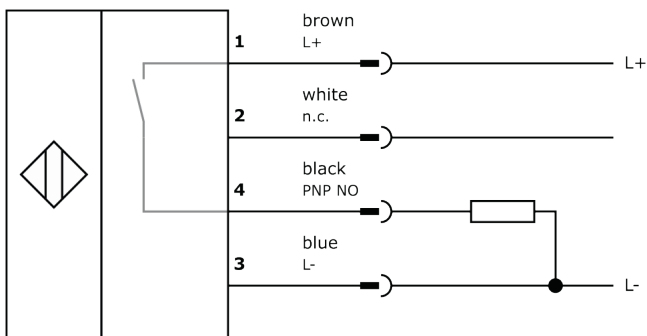
Other

| | |
|----------------------|---------------------------|
| Packaging dimensions | 77.0mm x 25.0mm x 123.0mm |
| Shipping weight | 0.05kg |
| Tariff code | 85365019 |

Classification

| | |
|-------------------|----------|
| ipf product group | 700 |
| eClass 8.0 | 27270101 |
| eClass 9.0 | 27270101 |
| eClass 9.1 | 27270101 |
| ETIM-5.0 | EC002714 |
| ETIM-6.0 | EC002714 |
| ETIM-7.0 | EC002714 |

Connection



Dimensional drawing

Installation



Mounting / installation may only be carried out by a qualified electrician!

Disposal



Safety warnings

Before initial operation, please make sure to follow all safety instructions that may be provided in the product information. Never use these devices in applications where the safety of a person depends on their functionality. LED lighting systems can generate intensive UV radiation, which can damage your eyes in case of improper use. The manufacturer cannot be held responsible for damages that result from improper use or connection.

X-ON Electronics

Largest Supplier of Electrical and Electronic Components

Click to view similar products for [Proximity Sensors](#) category:

Click to view products by [IPF ELECTRONIC](#) manufacturer:

Other Similar products are found below :

[01.001.5653.1](#) [70.340.1028.0](#) [70.360.2428.0](#) [70.364.4828.0](#) [70.810.1053.0](#) [72.360.1628.0](#) [73.363.6428.0](#) [8027AL20NL2CPXX](#) [FYCC8E1-2](#)
[9221350022](#) [922AA2W-A9P-L](#) [PLS2](#) [GL-12F-C2.5X10\(LOT3\)](#) [972AB2XM-A3N-L](#) [972AB3XM-A3P-L](#) [PS3251](#) [980659-1](#) [QT-12](#) [E2E2-](#)
[X5M41-M4](#) [E2E-X14MD1-G](#) [E2E-X2D1-G](#) [E2EX2ME2N](#) [E2EX3D1SM1N](#) [E2E-X4MD1-G](#) [E2E-X5E1-5M-N](#) [E2E-X5Y2-N](#) [E2E-X7D1-](#)
[M1J-T-0.3M-N](#) [E2K-F10MC1](#) [5M](#) [EH-302](#) [EI3010TBOP](#) [EI5515NPAP](#) [MS605AU](#) [EP175-32000](#) [IFRM04N35B1/L](#) [IFRM04P1513/S35L](#)
[IFRM06P1703/S35L](#) [IFRM08P1501/S35L](#) [IFRM12N17G3/L](#) [IFRM12P17G3/L](#) [IFRM12P3502/L](#) [IFRM12P37G1/S14L](#) [ILFK12E9189/I02](#)
[ILFK12E9193/I02](#) [IMM2582C](#) [OISN-013](#) [25.161.3253.0](#) [25.332.0653.1](#) [25.352.0653.0](#) [25.352.0753.0](#) [25.523.3253.0](#)