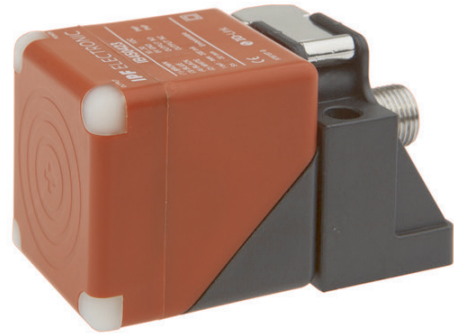


IB450423

INDUCTIVE SENSORS • INCREASED SWITCHING DISTANCE

sensor inductive, 40x67x40mm, Flush, Sn: 20, 10-30V DC, 85°C, PNP
NC/NO, IO-Link, Connector M12 4pin, IP67, PA PF, Static



MECHANICAL FEATURES

Active area material of sensor	PA PF
Ambient temperature	-25 °C ... 85 °C
Cable infeed	Axial
Degree of protection (IP)	IP67
Design	Cuboid
Housing material	PA PF
Max. tightening torque	2.5 Nm
Mechanical mounting condition for sensor	Flush
Pressure-proof	-
Sensor height	40 mm
Sensor length	67 mm
Sensor width	40 mm

ELECTRICAL FEATURES

Cascadable	-
Correction factor (aluminum)	0.34
Correction factor (brass)	0.4
Correction factor (copper)	0.3
Correction factor (St37)	1
Correction factor (stainl. steel)	0.78
Hysteresis	15 %
IO-Link compatible	+
Max. line length	300 m
No-load current	30 mA
Norm measuring plate	60x60x1
Number of pins	4
Operating voltage	10 V ... 30 V
Rated switching current	200 mA
Relative repeat accuracy	3.75 %
Residual ripple	10 %
Reverse polarity protection	+
Short-circuit protection	+
Suitable for safety functions	-

ELECTRICAL FEATURES

Supply voltage	10 V ... 30 V
Switching behavior of the output	Static
Switching distance	20 mm
Switching frequency	100 Hz
Type of electrical connection	Connector M12
Type of switching function	Normally closed contact/normally open contact
Type of switching output	PNP
Voltage drop	2.5 V
Voltage type	DC
With monitoring function of downstream devices	-

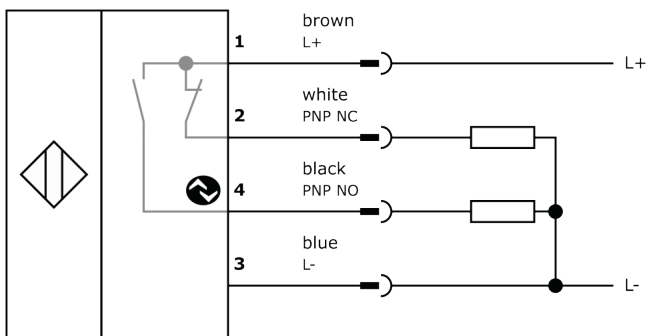
Other

Packaging dimensions	45.0mm x 45.0mm x 73.0mm
Shipping weight	0.13kg
Tariff code	85365019

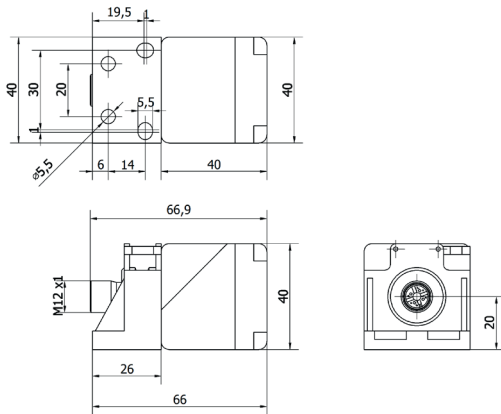
Classification

ipf product group	215
eClass 8.0	27270101
eClass 9.0	27270101
eClass 9.1	27270101
ETIM-5.0	EC002714
ETIM-6.0	EC002714
ETIM-7.0	EC002714

Connection



Dimensional drawing



Installation



Mounting / installation may only be carried out by a qualified electrician!

Disposal



Software

Any software, drivers or IODD files that may be required to operate your device can be downloaded free of charge from our homepage: www.ipf-electronic.com

Safety warnings

Before initial operation, please make sure to follow all safety instructions that may be provided in the product information. Never use these devices in applications where the safety of a person depends on their functionality.

LED lighting systems can generate intensive UV radiation, which can damage your eyes in case of improper use. The manufacturer cannot be held responsible for damages that result from improper use or connection.

X-ON Electronics

Largest Supplier of Electrical and Electronic Components

Click to view similar products for [Proximity Sensors](#) category:

Click to view products by [IPF ELECTRONIC](#) manufacturer:

Other Similar products are found below :

[01.001.5653.1](#) [70.340.1028.0](#) [70.360.2428.0](#) [70.364.4828.0](#) [70.810.1053.0](#) [72.360.1628.0](#) [73.363.6428.0](#) [8027AL20NL2CPXX](#) [FYCC8E1-2](#)
[9221350022](#) [922AA2W-A9P-L](#) [PLS2](#) [GL-12F-C2.5X10\(LOT3\)](#) [972AB2XM-A3N-L](#) [972AB3XM-A3P-L](#) [PS3251](#) [980659-1](#) [QT-12](#) [E2E2-](#)
[X5M41-M4](#) [E2E-X14MD1-G](#) [E2E-X2D1-G](#) [E2EX2ME2N](#) [E2EX3D1SM1N](#) [E2E-X4MD1-G](#) [E2E-X5E1-5M-N](#) [E2E-X5Y2-N](#) [E2E-X7D1-](#)
[M1J-T-0.3M-N](#) [E2K-F10MC1](#) [5M](#) [EH-302](#) [EI3010TBOP](#) [EI5515NPAP](#) [MS605AU](#) [EP175-32000](#) [IFRM04N35B1/L](#) [IFRM04P1513/S35L](#)
[IFRM06P1703/S35L](#) [IFRM08P1501/S35L](#) [IFRM12N17G3/L](#) [IFRM12P17G3/L](#) [IFRM12P3502/L](#) [IFRM12P37G1/S14L](#) [ILFK12E9189/I02](#)
[ILFK12E9193/I02](#) [IMM2582C](#) [OISN-013](#) [25.161.3253.0](#) [25.332.0653.1](#) [25.352.0653.0](#) [25.352.0753.0](#) [25.523.3253.0](#)