

## IB990752

### INDUCTIVE SENSORS • PRESSURE-PROOF

sensor inductive, M12x1 78long, Flush, Sn: 1.5, 10-30V DC, PNP NO,  
Connector M12, IP68, Stainless steel 1.4104



#### MECHANICAL FEATURES

Active area material of sensor	Epoxy acrylic resin
Alignment of cable entry	Axial
Ambient temperature	-25 °C ... 80 °C
Cable infeed	Axial
Degree of protection (IP)	IP68
Design	Cylinder, screw-thread
Housing material	Stainless steel 1.4104
Mechanical mounting condition for sensor	Flush
Pressure resistance	500 bar
Pressure-proof	-
Sensor length	78 mm
Thread pitch	1 mm
Thread size, metric	12

#### ELECTRICAL FEATURES

Cascadable	-
Rated switching current	200 mA
Suitable for safety functions	-
Supply voltage	10 V ... 30 V
Switching distance	1.5 mm
Type of electrical connection	Connector M12
Type of switching function	Normally open contact
Type of switching output	PNP
Voltage type	DC
With monitoring function of downstream devices	-

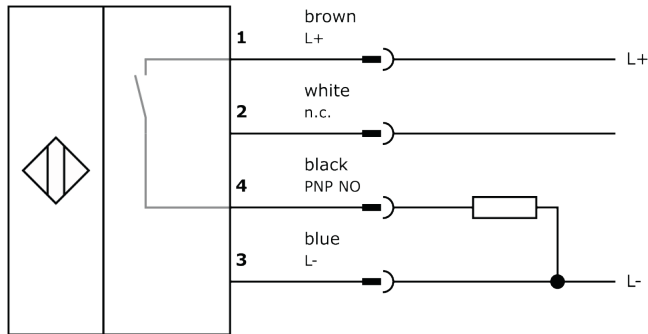
#### Other

Packaging dimensions	100mm x 0.0mm x 120mm
Shipping weight	0.03kg
Tariff code	85365019

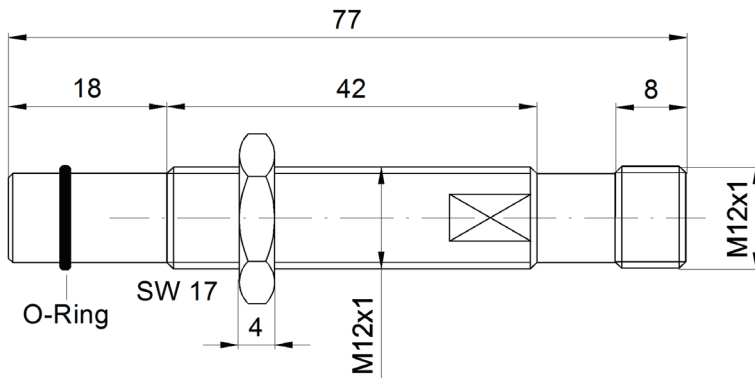
## Classification

ipf product group	700
eClass 8.0	27270101
eClass 9.0	27270101
eClass 9.1	27270101
ETIM-5.0	EC002714
ETIM-6.0	EC002714
ETIM-7.0	EC002714

## Connection



## Dimensional drawing



## Installation



Mounting / installation may only be carried out by a qualified electrician!

## Disposal



## Safety warnings

Before initial operation, please make sure to follow all safety instructions that may be provided in the product information. Never use these devices in applications where the safety of a person depends on their functionality. LED lighting systems can generate intensive UV radiation, which can damage your eyes in case of improper use. The manufacturer cannot be held responsible for damages that result from improper use or connection.

## X-ON Electronics

Largest Supplier of Electrical and Electronic Components

*Click to view similar products for [Proximity Sensors](#) category:*

*Click to view products by [IPF ELECTRONIC](#) manufacturer:*

Other Similar products are found below :

[01.001.5653.1](#) [70.340.1028.0](#) [70.360.2428.0](#) [70.364.4828.0](#) [70.810.1053.0](#) [72.360.1628.0](#) [73.363.6428.0](#) [8027AL20NL2CPXX](#) [FYCC8E1-2](#)  
[9221350022](#) [922AA2W-A9P-L](#) [PLS2](#) [GL-12F-C2.5X10\(LOT3\)](#) [972AB2XM-A3N-L](#) [972AB3XM-A3P-L](#) [PS3251](#) [980659-1](#) [QT-12](#) [E2E2-](#)  
[X5M41-M4](#) [E2E-X14MD1-G](#) [E2E-X2D1-G](#) [E2EX2ME2N](#) [E2EX3D1SM1N](#) [E2E-X4MD1-G](#) [E2E-X5E1-5M-N](#) [E2E-X5Y2-N](#) [E2E-X7D1-](#)  
[M1J-T-0.3M-N](#) [E2K-F10MC1](#) [5M](#) [EH-302](#) [EI3010TBOP](#) [EI5515NPAP](#) [MS605AU](#) [EP175-32000](#) [IFRM04N35B1/L](#) [IFRM04P1513/S35L](#)  
[IFRM06P1703/S35L](#) [IFRM08P1501/S35L](#) [IFRM12N17G3/L](#) [IFRM12P17G3/L](#) [IFRM12P3502/L](#) [IFRM12P37G1/S14L](#) [ILFK12E9189/I02](#)  
[ILFK12E9193/I02](#) [IMM2582C](#) [OISN-013](#) [25.161.3253.0](#) [25.332.0653.1](#) [25.352.0653.0](#) [25.352.0753.0](#) [25.523.3253.0](#)