

IC120223

INDUCTIVE SENSORS • FULL-METAL HOUSING

sensor inductive, all-steel, M12x1 50long, Quasi-flat, Sn: 4, 10-30V DC, PNP NC, Connector M12 4pin, IP67, V4A



MECHANICAL FEATURES

Active area material of sensor	Stainless steel 1.4404
Alignment of cable entry	Axial
Ambient temperature	-25 °C ... 70 °C
Cable infeed	Axial
Degree of protection (IP)	IP67
Design	Cylinder, screw-thread
Housing material	Stainless steel 1.4404
Mechanical mounting condition for sensor	Quasi-flat
Pressure-proof	+
Sensor length	50 mm
Thread pitch	1 mm
Thread size, metric	12

ELECTRICAL FEATURES

Cascadable	-
Number of pins	4
Rated switching current	200 mA
Suitable for safety functions	-
Supply voltage	10 V ... 30 V
Switching distance	4 mm
Type of electrical connection	Connector M12
Type of switching function	Normally closed contact
Type of switching output	PNP
Voltage type	DC
With monitoring function of downstream devices	-

OTHER FEATURES

Feeding technology	+
Harsh environmental conditions	+
Hygienic and wet area	+
Metallic sensor surface	+
Oil and cooling lubricants	+

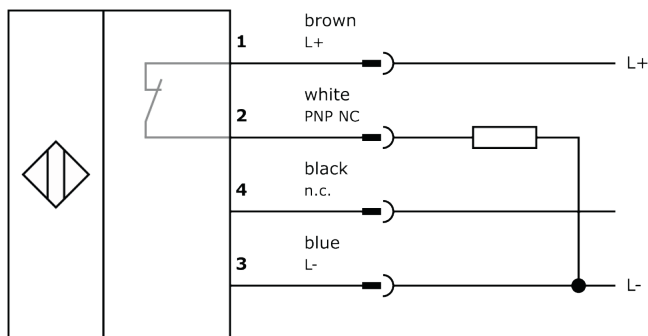
Other

Packaging dimensions	77.0mm x 25.0mm x 123.0mm
Shipping weight	0.04kg
Tariff code	85365019

Classification

ipf product group	204
eClass 8.0	27270101
eClass 9.0	27270101
eClass 9.1	27270101
ETIM-5.0	EC002714
ETIM-6.0	EC002714
ETIM-7.0	EC002714

Connection



Dimensional drawing

Installation



Mounting / installation may only be carried out by a qualified electrician!

Disposal



Safety warnings

Before initial operation, please make sure to follow all safety instructions that may be provided in the product information. Never use these devices in applications where the safety of a person depends on their functionality. LED lighting systems can generate intensive UV radiation, which can damage your eyes in case of improper use. The manufacturer cannot be held responsible for damages that result from improper use or connection.

X-ON Electronics

Largest Supplier of Electrical and Electronic Components

Click to view similar products for [Proximity Sensors](#) category:

Click to view products by [IPF ELECTRONIC](#) manufacturer:

Other Similar products are found below :

[01.001.5653.1](#) [70.340.1028.0](#) [70.360.2428.0](#) [70.364.4828.0](#) [70.810.1053.0](#) [72.360.1628.0](#) [73.363.6428.0](#) [8027AL20NL2CPXX](#) [FYCC8E1-2](#)
[9221350022](#) [922AA2W-A9P-L](#) [PLS2](#) [GL-12F-C2.5X10\(LOT3\)](#) [972AB2XM-A3N-L](#) [972AB3XM-A3P-L](#) [PS3251](#) [980659-1](#) [QT-12](#) [E2E2-](#)
[X5M41-M4](#) [E2E-X14MD1-G](#) [E2E-X2D1-G](#) [E2EX2ME2N](#) [E2EX3D1SM1N](#) [E2E-X4MD1-G](#) [E2E-X5E1-5M-N](#) [E2E-X5Y2-N](#) [E2E-X7D1-](#)
[M1J-T-0.3M-N](#) [E2K-F10MC1](#) [5M](#) [EH-302](#) [EI3010TBOP](#) [EI5515NPAP](#) [MS605AU](#) [EP175-32000](#) [IFRM04N35B1/L](#) [IFRM04P1513/S35L](#)
[IFRM06P1703/S35L](#) [IFRM08P1501/S35L](#) [IFRM12N17G3/L](#) [IFRM12P17G3/L](#) [IFRM12P3502/L](#) [IFRM12P37G1/S14L](#) [ILFK12E9189/I02](#)
[ILFK12E9193/I02](#) [IMM2582C](#) [OISN-013](#) [25.161.3253.0](#) [25.332.0653.1](#) [25.352.0653.0](#) [25.352.0753.0](#) [25.523.3253.0](#)