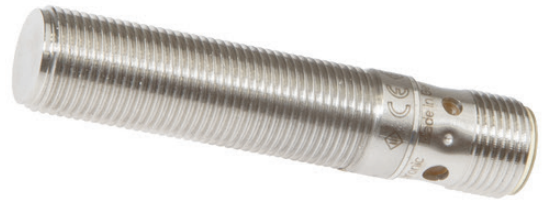


## IC12E087 INDUCTIVE SENSORS • FULL-METAL HOUSING

sensor inductive, all-steel, M12x1 60long, Flush, Sn: 3, 10-36V DC, -40°C, PNP NO, Connector M12 3pin, IP67, V4A, ATEX, Static



### MECHANICAL FEATURES

Active area material of sensor	Stainless steel 1.4404
Alignment of cable entry	Axial
Ambient temperature	-40 °C ... 60 °C
Ambient temperatures < -25°C	+
Cable infeed	Axial
Degree of protection (IP)	IP67
Design	Cylinder, screw-thread
Housing material	Stainless steel 1.4404
Mechanical mounting condition for sensor	Flush
Pressure resistance	100 bar
Pressure-proof	+
Sensor length	60 mm
Thread length	40 mm
Thread pitch	1 mm
Thread size, metric	12

### ELECTRICAL FEATURES

ATEX approval	+
Cascadable	-
Correction factor (aluminum)	0.3
Correction factor (brass)	0.4
Correction factor (copper)	0.1
Correction factor (St37)	1
Correction factor (stainl. steel)	0.7
Hysteresis	20 %
Min. output current	100 mA
No-load current	20 mA
Norm measuring plate	12x12x1
Number of pins	3
Operating voltage	10 V ... 36 V
Rated switching current	100 mA
Response time	5 ms
Reverse polarity protection	+

## ELECTRICAL FEATURES

Short-circuit protection	+
Suitable for safety functions	-
Supply voltage	10 V ... 36 V
Switching behavior of the output	Static
Switching distance	3 mm
Switching frequency	100 Hz
Type of electrical connection	Connector M12
Type of switching function	Normally open contact
Type of switching output	PNP
Voltage drop	2.5 V
Voltage type	DC
With LED display	+
With monitoring function of downstream devices	-

## OTHER FEATURES

Explosion safety category for dust	ATEX dust-ex-protection, Cat. 3D
Explosion safety category for gas	ATEX gas-ex-protection, Cat. 3G
Feeding technology	+
Harsh environmental conditions	+
Hygienic and wet area	+
Metallic sensor surface	+
Oil and cooling lubricants	+

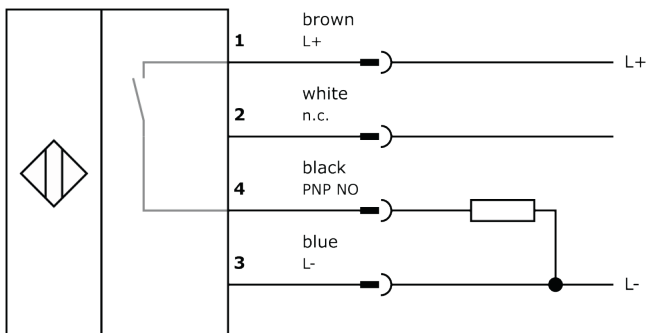
## Other

Packaging dimensions	124.0mm x 28.0mm x 149.0mm
Shipping weight	0.08kg
Tariff code	85365019

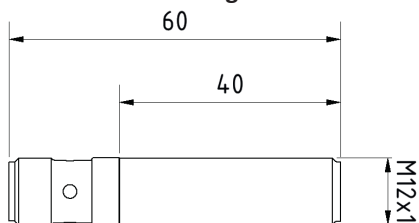
## Classification

ipf product group	700
eClass 8.0	27270101
eClass 9.0	27270101
eClass 9.1	27270101
ETIM-5.0	EC002714
ETIM-6.0	EC002714
ETIM-7.0	EC002714

## Connection



## Dimensional drawing



## Installation



Mounting / installation may only be carried out by a qualified electrician!

## Disposal



## Safety warnings

Before initial operation, please make sure to follow all safety instructions that may be provided in the product information. Never use these devices in applications where the safety of a person depends on their functionality. LED lighting systems can generate intensive UV radiation, which can damage your eyes in case of improper use. The manufacturer cannot be held responsible for damages that result from improper use or connection.

## X-ON Electronics

Largest Supplier of Electrical and Electronic Components

*Click to view similar products for [Proximity Sensors](#) category:*

*Click to view products by [IPF ELECTRONIC](#) manufacturer:*

Other Similar products are found below :

[01.001.5653.1](#) [70.340.1028.0](#) [70.360.2428.0](#) [70.364.4828.0](#) [70.810.1053.0](#) [72.360.1628.0](#) [73.363.6428.0](#) [8027AL20NL2CPXX](#) [FYCC8E1-2](#)  
[9221350022](#) [922AA2W-A9P-L](#) [PLS2](#) [GL-12F-C2.5X10\(LOT3\)](#) [972AB2XM-A3N-L](#) [972AB3XM-A3P-L](#) [PS3251](#) [980659-1](#) [QT-12](#) [E2E2-](#)  
[X5M41-M4](#) [E2E-X14MD1-G](#) [E2E-X2D1-G](#) [E2EX2ME2N](#) [E2EX3D1SM1N](#) [E2E-X4MD1-G](#) [E2E-X5E1-5M-N](#) [E2E-X5Y2-N](#) [E2E-X7D1-](#)  
[M1J-T-0.3M-N](#) [E2FMX1R5D12M](#) [E2K-F10MC1](#) [5M](#) [EH-302](#) [EI3010TBOP](#) [EI5515NPAP](#) [MS605AU](#) [EP175-32000](#) [IFRM04N35B1/L](#)  
[IFRM04P1513/S35L](#) [IFRM06P1703/S35L](#) [IFRM08P1501/S35L](#) [IFRM12N17G3/L](#) [IFRM12P17G3/L](#) [IFRM12P3502/L](#) [IFRM12P37G1/S14L](#)  
[ILFK12E9189/I02](#) [ILFK12E9193/I02](#) [IMM2582C](#) [OISN-013](#) [25.161.3253.0](#) [25.332.0653.1](#) [25.352.0653.0](#) [25.352.0753.0](#)