

IM12012W

INDUCTIVE SENSORS • INCREASED AMBIENT TEMPERATURE

sensor inductive, preferential, M12x1 60long, Non-flush, Sn: 4, 10-30V DC, -40-100°C, PNP NO, Connector M12 3pin, IP67, Brass Nickel-plated



MECHANICAL FEATURES

| | |
|--|------------------------|
| Active area material of sensor | PBT |
| Alignment of cable entry | Axial |
| Ambient temperature | -40 °C ... 100 °C |
| Ambient temperatures < -25°C | + |
| Cable infeed | Axial |
| Degree of protection (IP) | IP67 |
| Design | Cylinder, screw-thread |
| Housing coating | Nickel-plated |
| Housing material | Brass |
| Increased ambient temperatures > 80°C | + |
| Max. tightening torque | 10 Nm |
| Mechanical mounting condition for sensor | Non-flush |
| Pressure-proof | - |
| Sensor length | 60 mm |
| Thread pitch | 1 mm |
| Thread size, metric | 12 |

ELECTRICAL FEATURES

| | |
|-----------------------------------|---------------|
| Cascadable | - |
| Correction factor (aluminum) | 0.3 |
| Correction factor (brass) | 0.4 |
| Correction factor (copper) | 0.2 |
| Correction factor (St37) | 1 |
| Correction factor (stainl. steel) | 0.7 |
| Hysteresis | 15 % |
| No-load current | 15 mA |
| Number of pins | 3 |
| Rated switching current | 200 mA |
| Relative repeat accuracy | 10 % |
| Reverse polarity protection | + |
| Short-circuit protection | + |
| Suitable for safety functions | - |
| Supply voltage | 10 V ... 30 V |

ELECTRICAL FEATURES

| | |
|--|-----------------------|
| Switching distance | 4 mm |
| Switching frequency | 1000 Hz |
| Type of electrical connection | Connector M12 |
| Type of switching function | Normally open contact |
| Type of switching output | PNP |
| Voltage drop | 2 V |
| Voltage type | DC |
| With LED display | + |
| With monitoring function of downstream devices | - |

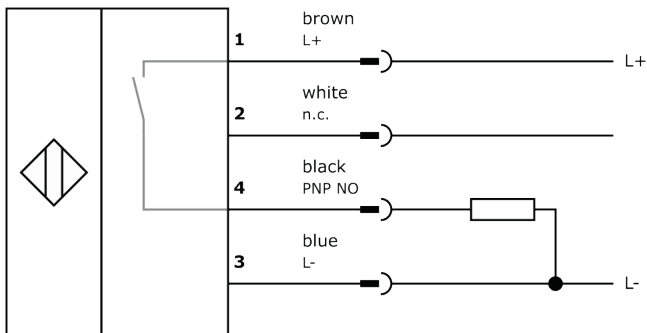
Other

| | |
|----------------------|-----------------------|
| Packaging dimensions | 100mm x 0.0mm x 120mm |
| Shipping weight | 0.02kg |
| Tariff code | 85365019 |

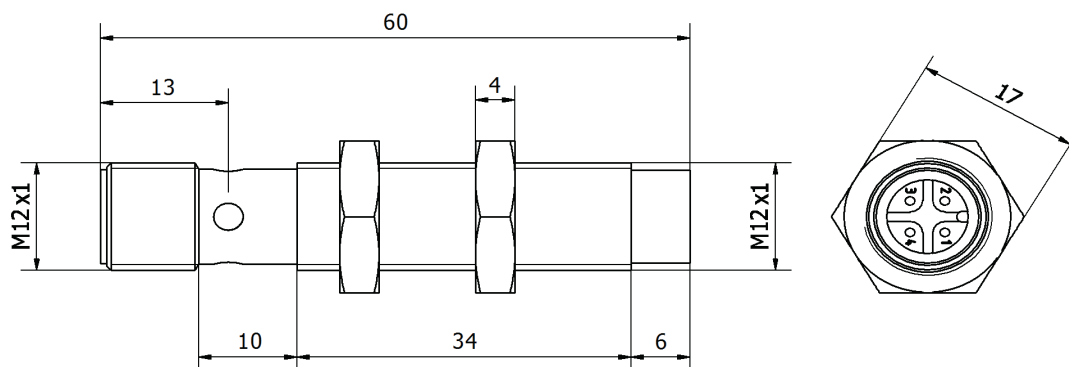
Classification

| | |
|-------------------|----------|
| ipf product group | 202 |
| eClass 8.0 | 27270101 |
| eClass 9.0 | 27270101 |
| eClass 9.1 | 27270101 |
| ETIM-5.0 | EC002714 |
| ETIM-6.0 | EC002714 |
| ETIM-7.0 | EC002714 |

Connection



Dimensional drawing



Installation



Mounting / installation may only be carried out by a qualified electrician!

Disposal



Safety warnings

Before initial operation, please make sure to follow all safety instructions that may be provided in the product information. Never use these devices in applications where the safety of a person depends on their functionality. LED lighting systems can generate intensive UV radiation, which can damage your eyes in case of improper use. The manufacturer cannot be held responsible for damages that result from improper use or connection.

X-ON Electronics

Largest Supplier of Electrical and Electronic Components

Click to view similar products for [Proximity Sensors](#) category:

Click to view products by [IPF ELECTRONIC](#) manufacturer:

Other Similar products are found below :

[01.001.5653.1](#) [70.340.1028.0](#) [70.360.2428.0](#) [70.364.4828.0](#) [70.810.1053.0](#) [72.360.1628.0](#) [73.363.6428.0](#) [8027AL20NL2CPXX](#) [FYCC8E1-2](#)
[9221350022](#) [922AA2W-A9P-L](#) [PLS2](#) [GL-12F-C2.5X10\(LOT3\)](#) [972AB2XM-A3N-L](#) [972AB3XM-A3P-L](#) [PS3251](#) [980659-1](#) [QT-12](#) [E2E2-](#)
[X5M41-M4](#) [E2E-X14MD1-G](#) [E2E-X2D1-G](#) [E2EX2ME2N](#) [E2EX3D1SM1N](#) [E2E-X4MD1-G](#) [E2E-X5E1-5M-N](#) [E2E-X5Y2-N](#) [E2E-X7D1-](#)
[M1J-T-0.3M-N](#) [E2K-F10MC1](#) [5M](#) [EH-302](#) [EI3010TBOP](#) [EI5515NPAP](#) [MS605AU](#) [EP175-32000](#) [IFRM04N35B1/L](#) [IFRM04P1513/S35L](#)
[IFRM06P1703/S35L](#) [IFRM08P1501/S35L](#) [IFRM12N17G3/L](#) [IFRM12P17G3/L](#) [IFRM12P3502/L](#) [IFRM12P37G1/S14L](#) [ILFK12E9189/I02](#)
[ILFK12E9193/I02](#) [IMM2582C](#) [OISN-013](#) [25.161.3253.0](#) [25.332.0653.1](#) [25.352.0653.0](#) [25.352.0753.0](#) [25.523.3253.0](#)