

IN12C230 INDUCTIVE SENSORS • INCREASED AMBIENT TEMPERATURE

sensor inductive, M12x1 60long, Non-flush, Sn: 4, 10-35V DC, 150°C, PNP NO, Cable 5m Polytetrafluorethylene (PTFE), IP50, Stainless steel 1.4305



MECHANICAL FEATURES

Active area material of sensor	Vectra®
Alignment of cable entry	Axial
Ambient temperature	0 °C ... 150 °C
Cable infeed	Axial
Cable length	5 m
Degree of protection (IP)	IP50
Design	Cylinder, screw-thread
Housing material	Stainless steel 1.4305
Increased ambient temperatures > 80°C	+
Material of cable sheath	Polytetrafluorethylene (PTFE)
Mechanical mounting condition for sensor	Non-flush
Pressure-proof	-
Sensor length	60 mm
Thread length	48 mm
Thread pitch	1 mm
Thread size, metric	12

ELECTRICAL FEATURES

ATEX approval	+
Cascadable	-
Hysteresis	15 %
No-load current	15 mA
Norm measuring plate	12x12x1
Rated switching current	120 mA
Reverse polarity protection	+
Short-circuit protection	+
Suitable for safety functions	-
Supply voltage	10 V ... 35 V
Switching distance	4 mm
Switching frequency	500 Hz
Type of electrical connection	Cable
Type of switching function	Normally open contact
Type of switching output	PNP

ELECTRICAL FEATURES

Voltage drop	2 V
Voltage type	DC
With monitoring function of downstream devices	-

OTHER FEATURES

ATEX product marking, dust	II 3D Ex tc IIIB T155°C Dc 0°C
----------------------------	--------------------------------

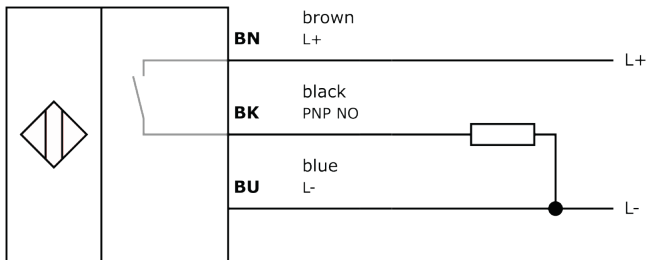
Other

Packaging dimensions	124.0mm x 28.0mm x 149.0mm
Shipping weight	0.16kg
Tariff code	85365019

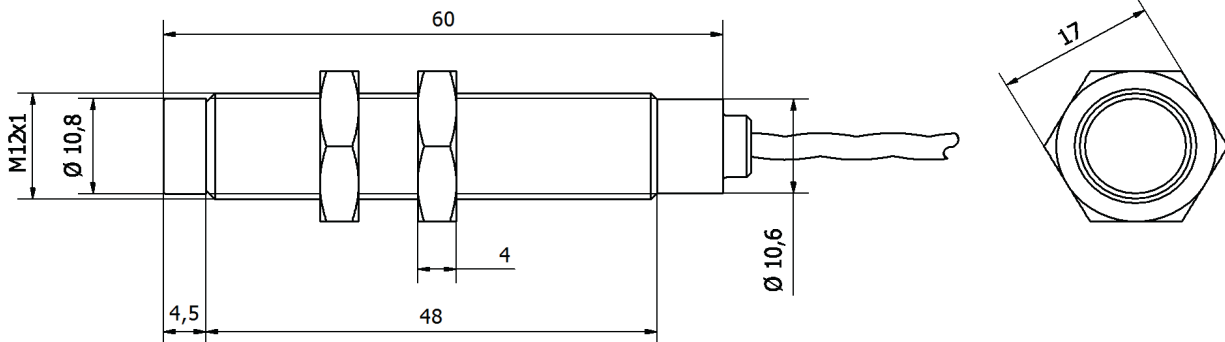
Classification

ipf product group	700
eClass 8.0	27270101
eClass 9.0	27270101
eClass 9.1	27270101
ETIM-5.0	EC002714
ETIM-6.0	EC002714
ETIM-7.0	EC002714

Connection



Dimensional drawing



Installation



Mounting / installation may only be carried out by a qualified electrician!

Disposal



Safety warnings

Before initial operation, please make sure to follow all safety instructions that may be provided in the product information.

Never use these devices in applications where the safety of a person depends on their functionality.

LED lighting systems can generate intensive UV radiation, which can damage your eyes in case of improper use. The manufacturer cannot be held responsible for damages that result from improper use or connection.

X-ON Electronics

Largest Supplier of Electrical and Electronic Components

Click to view similar products for [Proximity Sensors](#) category:

Click to view products by [IPF ELECTRONIC](#) manufacturer:

Other Similar products are found below :

[01.001.5653.1](#) [70.340.1028.0](#) [70.360.2428.0](#) [70.364.4828.0](#) [70.810.1053.0](#) [72.360.1628.0](#) [73.363.6428.0](#) [8027AL20NL2CPXX](#) [FYCC8E1-2](#)
[9221350022](#) [922AA2W-A9P-L](#) [PLS2](#) [GL-12F-C2.5X10\(LOT3\)](#) [972AB2XM-A3N-L](#) [972AB3XM-A3P-L](#) [PS3251](#) [980659-1](#) [QT-12](#) [E2E2-](#)
[X5M41-M4](#) [E2E-X14MD1-G](#) [E2E-X2D1-G](#) [E2EX2ME2N](#) [E2EX3D1SM1N](#) [E2E-X4MD1-G](#) [E2E-X5E1-5M-N](#) [E2E-X5Y2-N](#) [E2E-X7D1-](#)
[M1J-T-0.3M-N](#) [E2K-F10MC1](#) [5M](#) [EH-302](#) [EI3010TBOP](#) [EI5515NPAP](#) [MS605AU](#) [EP175-32000](#) [IFRM04N35B1/L](#) [IFRM04P1513/S35L](#)
[IFRM06P1703/S35L](#) [IFRM08P1501/S35L](#) [IFRM12N17G3/L](#) [IFRM12P17G3/L](#) [IFRM12P3502/L](#) [IFRM12P37G1/S14L](#) [ILFK12E9189/I02](#)
[ILFK12E9193/I02](#) [IMM2582C](#) [OISN-013](#) [25.161.3253.0](#) [25.332.0653.1](#) [25.352.0653.0](#) [25.352.0753.0](#) [25.523.3253.0](#)