

IN18A333

INDUCTIVE SENSORS • NORM SWITCHING DISTANCE

sensor inductive, M18x1 80long, Non-flush, Sn: 8, 10-30V DC, PNP
NC/NO, Connector M12, IP65, Brass White bronze



MECHANICAL FEATURES

Active area material of sensor	Plastic PC
Alignment of cable entry	Axial
Ambient temperature	-25 °C ... 80 °C
Cable infeed	Axial
Degree of protection (IP)	IP65
Design	Cylinder, screw-thread
Housing coating	White bronze
Housing material	Brass
Mechanical mounting condition for sensor	Non-flush
Pressure-proof	-
Sensor length	80 mm
Thread length	55 mm
Thread pitch	1 mm
Thread size, metric	18

ELECTRICAL FEATURES

Cascadable	-
Correction factor (aluminum)	0.4
Correction factor (brass)	0.5
Correction factor (copper)	0.3
Correction factor (St37)	1
Correction factor (stainl. steel)	0.7
No-load current	10 mA
Rated switching current	200 mA
Reverse polarity protection	+
Short-circuit protection	+
Suitable for safety functions	-
Supply voltage	10 V ... 30 V
Switching distance	8 mm
Switching frequency	300 Hz
Type of electrical connection	Connector M12
Type of switching function	Normally closed contact/normally open contact
Type of switching output	PNP

ELECTRICAL FEATURES

Voltage drop	2.5 V
Voltage type	DC
With monitoring function of downstream devices	-

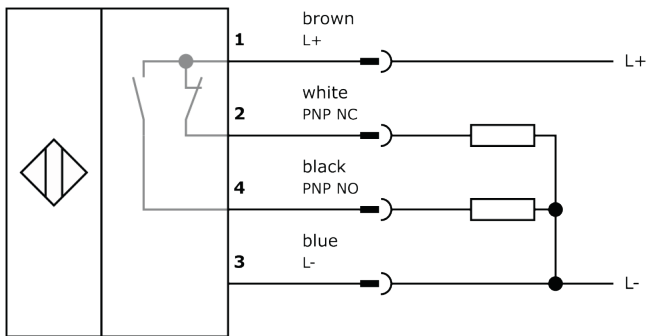
Other

Packaging dimensions	77.0mm x 25.0mm x 123.0mm
Shipping weight	0.06kg
Tariff code	85365019

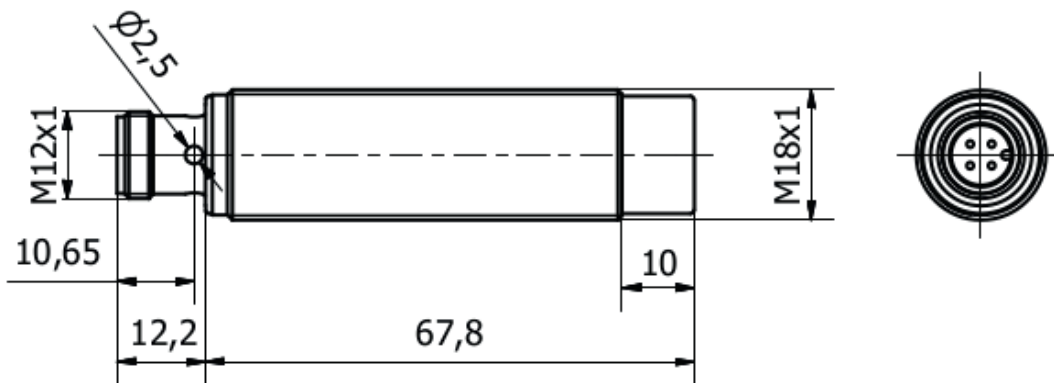
Classification

ipf product group	700
eClass 8.0	27270101
eClass 9.0	27270101
eClass 9.1	27270101
ETIM-5.0	EC002714
ETIM-6.0	EC002714
ETIM-7.0	EC002714

Connection



Dimensional drawing



Installation



Mounting / installation may only be carried out by a qualified electrician!

Disposal



Safety warnings

Before initial operation, please make sure to follow all safety instructions that may be provided in the product information.
Never use these devices in applications where the safety of a person depends on their functionality.
LED lighting systems can generate intensive UV radiation, which can damage your eyes in case of improper use. The manufacturer cannot be held responsible for damages that result from improper use or connection.

X-ON Electronics

Largest Supplier of Electrical and Electronic Components

Click to view similar products for [Proximity Sensors](#) category:

Click to view products by [IPF ELECTRONIC](#) manufacturer:

Other Similar products are found below :

[01.001.5653.1](#) [70.340.1028.0](#) [70.360.2428.0](#) [70.364.4828.0](#) [70.810.1053.0](#) [72.360.1628.0](#) [73.363.6428.0](#) [8027AL20NL2CPXX](#) [FYCC8E1-2](#)
[9221350022](#) [922AA2W-A9P-L](#) [PLS2](#) [GL-12F-C2.5X10\(LOT3\)](#) [972AB2XM-A3N-L](#) [972AB3XM-A3P-L](#) [PS3251](#) [980659-1](#) [QT-12](#) [E2E2-](#)
[X5M41-M4](#) [E2E-X14MD1-G](#) [E2E-X2D1-G](#) [E2EX2ME2N](#) [E2EX3D1SM1N](#) [E2E-X4MD1-G](#) [E2E-X5E1-5M-N](#) [E2E-X5Y2-N](#) [E2E-X7D1-](#)
[M1J-T-0.3M-N](#) [E2K-F10MC1](#) [5M](#) [EH-302](#) [EI3010TBOP](#) [EI5515NPAP](#) [MS605AU](#) [EP175-32000](#) [IFRM04N35B1/L](#) [IFRM04P1513/S35L](#)
[IFRM06P1703/S35L](#) [IFRM08P1501/S35L](#) [IFRM12N17G3/L](#) [IFRM12P17G3/L](#) [IFRM12P3502/L](#) [IFRM12P37G1/S14L](#) [ILFK12E9189/I02](#)
[ILFK12E9193/I02](#) [IMM2582C](#) [OISN-013](#) [25.161.3253.0](#) [25.332.0653.1](#) [25.352.0653.0](#) [25.352.0753.0](#) [25.523.3253.0](#)