

KG010520

CAPACITIVE SENSORS • LABEL SENSORS

sensor capacitive, 36x24x100mm, Non-flush, Sn: 1, 10-35V DC, PNP/
NPN Anticoincidence, Connector M12, IP65, Aluminum Anodized,
Teach-In



MECHANICAL FEATURES

Ambient temperature (MAX)	60 °C
Degree of protection (IP)	IP65
Design	Cuboid
Fork width	1 mm
Housing coating	Anodized
Housing material	Aluminum
Mechanical mounting condition for sensor	Non-flush
Pressure-proof	-
Sensor height	36 mm
Sensor length	24 mm
Sensor width	100 mm

ELECTRICAL FEATURES

Cascadable	-
No-load current	70 mA
Rated control supply voltage U_s at DC	10 V ... 35 V
Rated switching current	200 mA
Setting procedure	Teach-In
Suitable for safety functions	-
Supply voltage	10 V ... 35 V
Switching distance	1 mm
Switching distance	1 mm ... 1 mm
Type of electrical connection	Connector M12
Type of switching function	Anticoincidence
Type of switching output	PNP/NPN
Voltage drop	2.5 V
Voltage type	DC
With monitoring function of downstream devices	-

OTHER FEATURES

Detection of labels	+
Level detection	+

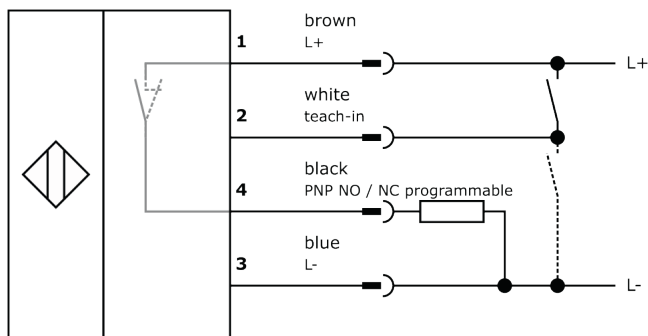
Other

Packaging dimensions	99.0mm x 60mm x 160mm
Shipping weight	0.23kg
Tariff code	85365019

Classification

ipf product group	243
eClass 8.0	27270102
eClass 9.0	27270102
eClass 9.1	27270102
ETIM-5.0	EC002715
ETIM-6.0	EC002715
ETIM-7.0	EC002715

Connection



Dimensional drawing

Installation



Mounting / installation may only be carried out by a qualified electrician!

Disposal



Safety warnings

Before initial operation, please make sure to follow all safety instructions that may be provided in the product information. Never use these devices in applications where the safety of a person depends on their functionality. LED lighting systems can generate intensive UV radiation, which can damage your eyes in case of improper use. The manufacturer cannot be held responsible for damages that result from improper use or connection.

X-ON Electronics

Largest Supplier of Electrical and Electronic Components

Click to view similar products for [Proximity Sensors](#) category:

Click to view products by [IPF ELECTRONIC](#) manufacturer:

Other Similar products are found below :

[01.001.5653.1](#) [70.340.1028.0](#) [70.360.2428.0](#) [70.364.4828.0](#) [70.810.1053.0](#) [72.360.1628.0](#) [73.363.6428.0](#) [8027AL20NL2CPXX](#) [FYCC8E1-2](#)
[9221350022](#) [922AA2W-A9P-L](#) [PLS2](#) [GL-12F-C2.5X10\(LOT3\)](#) [972AB2XM-A3N-L](#) [972AB3XM-A3P-L](#) [PS3251](#) [980659-1](#) [QT-12](#) [E2E2-](#)
[X5M41-M4](#) [E2E-X14MD1-G](#) [E2E-X2D1-G](#) [E2EX2ME2N](#) [E2EX3D1SM1N](#) [E2E-X4MD1-G](#) [E2E-X5E1-5M-N](#) [E2E-X5Y2-N](#) [E2E-X7D1-](#)
[M1J-T-0.3M-N](#) [E2K-F10MC1](#) [5M](#) [EH-302](#) [EI3010TBOP](#) [EI5515NPAP](#) [MS605AU](#) [EP175-32000](#) [IFRM04N35B1/L](#) [IFRM04P1513/S35L](#)
[IFRM06P1703/S35L](#) [IFRM08P1501/S35L](#) [IFRM12N17G3/L](#) [IFRM12P17G3/L](#) [IFRM12P3502/L](#) [IFRM12P37G1/S14L](#) [ILFK12E9189/I02](#)
[ILFK12E9193/I02](#) [IMM2582C](#) [OISN-013](#) [25.161.3253.0](#) [25.332.0653.1](#) [25.352.0653.0](#) [25.352.0753.0](#) [25.523.3253.0](#)