

OE120223

HIGH PERFORMANCE LIGHT BARRIERS • THROUGH-BEAM SENSORS RECEIVERS

sensor optical, Through-beam sensor receiver, M12x1 66long, Sn: 15m, 15-30V DC, PNP/NPN Push-pull, Connector M12, IP67, Stainless steel, Infrared light



MECHANICAL FEATURES

Ambient temperature	-20 °C ... 60 °C
Degree of protection (IP)	IP67
Design	Cylinder, screw-thread
Housing material	Stainless steel
Sensor length	66 mm
Shock resistance	30 g
Thread length	40 mm
Thread pitch	1 mm
Thread size, metric	12
Version	Through-beam sensor receiver
Vibration resistance	55 Hz

ELECTRICAL FEATURES

Connection to amplifier	-
Measuring range	15 m
No-load current	30 mA
No-load current, receiver	30 mA
Operating voltage	15 V ... 30 V
Rated switching current	100 mA
Rated switching distance	15000 mm
Reverse polarity protection	+
Scanning function	Light switching
Short-circuit protection	+
Suitable for safety functions	-
Switching frequency	25 Hz
Type of electrical connection	Connector M12
Type of input voltage	DC
Type of switching function	Push-pull
Type of switching output	PNP/NPN
Voltage drop	2 V
Voltage type	DC
With LED display	+
With time function	-

OPTICAL FEATURES

Angle of beam spread	12 °
Light source	Infrared light
Wavelength of the sensor	880 nm
Light beam form	Point

OTHER FEATURES

Heavy-duty devices	+
Scope of delivery of the one-way system	Receiver

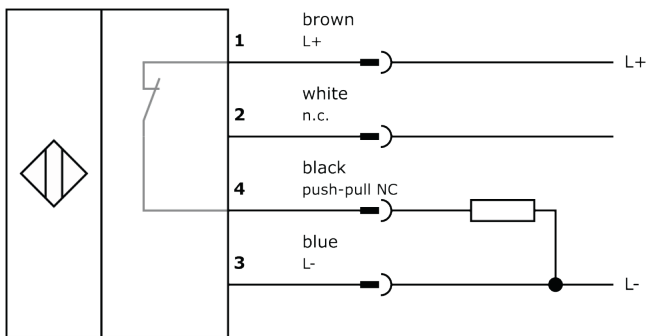
Other

Packaging dimensions	77.0mm x 25.0mm x 123.0mm
Shipping weight	0.04kg
Tariff code	85365019

Classification

ipf product group	101
eClass 8.0	27270901
eClass 9.0	27270901
eClass 9.1	27270901
ETIM-5.0	EC002716
ETIM-6.0	EC002716
ETIM-7.0	EC002716

Connection



Dimensional drawing

Installation



Mounting / installation may only be carried out by a qualified electrician!

Disposal



Safety warnings

Before initial operation, please make sure to follow all safety instructions that may be provided in the product information. Never use these devices in applications where the safety of a person depends on their functionality. LED lighting systems can generate intensive UV radiation, which can damage your eyes in case of improper use. The manufacturer cannot be held responsible for damages that result from improper use or connection.

X-ON Electronics

Largest Supplier of Electrical and Electronic Components

Click to view similar products for [Photoelectric Sensors](#) category:

Click to view products by [IPF ELECTRONIC](#) manufacturer:

Other Similar products are found below :

[7442AD2X5FRX](#) [EX-19B-LP](#) [EX-19SB-PN](#) [7443AR0X5FRX](#) [7452AD4D4NNX](#) [7694ADE04DS2X](#) [FE7C-FRC6S-M](#) [FX-305](#) [PM-R24-R](#)
[Q45VR2FPQ](#) [13104RQD07](#) [E3JUXM4MN](#) [E3L2DC4](#) [E3S3LE21](#) [E3SCT11M1J03M](#) [E3SDS20E21](#) [E3VDS70C43S](#) [E3XNM16](#) [BR23P](#)
[HOA6563-001](#) [OJ-3307-30N8](#) [OS-311A-30](#) [P32013](#) [P34036](#) [P43004](#) [P60001](#) [PB10CNT15PO](#) [S14132](#) [935286-000](#) [S52101](#) [S56258](#) [FD-](#)
[SN500](#) [FE7B-FDRB6-M](#) [SU-79](#) [T36342](#) [T40300](#) [T60001](#) [PD60CNX20BP](#) [FX-302-HY](#) [FZS](#) [PM-T64W](#) [PZ2-51P](#) [CX-491-P-J](#) [CYNUTX10](#)
[UZB802](#) [UZB803](#) [UZFRG1](#) [UZFRG4](#) [UZFRT4](#) [UZFTT8](#)