

OE120226

OPTICAL SENSORS • THROUGH-BEAM SENSORS RECEIVERS

sensor optical, Through-beam sensor receiver, M12x1 60long, Sn: 10m, 10-35V DC, PNP NC (NC), Connector M12, IP67, Brass Chrome-plated+Glass, Polarity free red light



MECHANICAL FEATURES

Ambient temperature	-25 °C ... 55 °C
Degree of protection (IP)	IP67
Design	Cylinder, screw-thread
Housing coating	Chrome-plated
Housing material	Brass
Material of optical surface	Glass
Max. tightening torque	10 Nm
Sensor length	60 mm
Thread length	41 mm
Thread pitch	1 mm
Thread size, metric	12
Version	Through-beam sensor receiver

ELECTRICAL FEATURES

Connection to amplifier	-
Decay time	0.5 ms
Measuring range	10 m
No-load current	15 mA
No-load current, receiver	15 mA
Operating voltage	10 V ... 35 V
Rated switching current	200 mA
Rated switching distance	10000 mm
Readiness delay	20 ms
Residual ripple	20 %
Response time	0.5 ms
Reverse polarity protection	+
Scanning function	Light switching
Short-circuit protection	+
Suitable for safety functions	-
Switching frequency	1000 Hz
Type of electrical connection	Connector M12
Type of input voltage	DC
Type of switching function	Normally closed contact (NC)

ELECTRICAL FEATURES

Type of switching output	PNP
Voltage drop	2 V
Voltage type	DC
With LED display	+
With LED display (functional reserve)	+
With LED display (signal)	+
With time function	-

OPTICAL FEATURES

Light source	Polarity free red light
Wavelength of the sensor	660 nm
Light beam form	Point

OTHER FEATURES

Scope of delivery of the one-way system	Receiver
---	----------

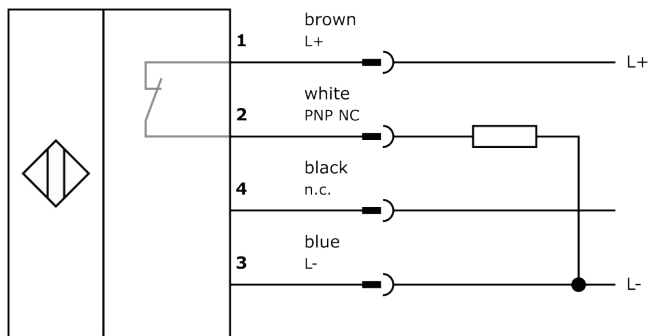
Other

Packaging dimensions	185.0mm x 14.0mm x 210mm
Shipping weight	0.04kg
Tariff code	85365019

Classification

ipf product group	100
eClass 8.0	27270901
eClass 9.0	27270901
eClass 9.1	27270901
ETIM-5.0	EC002716
ETIM-6.0	EC002716
ETIM-7.0	EC002716

Connection



Dimensional drawing

Installation



Mounting / installation may only be carried out by a qualified electrician!

Disposal



Safety warnings

Before initial operation, please make sure to follow all safety instructions that may be provided in the product information.
Never use these devices in applications where the safety of a person depends on their functionality.
LED lighting systems can generate intensive UV radiation, which can damage your eyes in case of improper use. The manufacturer cannot be held responsible for damages that result from improper use or connection.

X-ON Electronics

Largest Supplier of Electrical and Electronic Components

Click to view similar products for [Photoelectric Sensors](#) category:

Click to view products by [IPF ELECTRONIC](#) manufacturer:

Other Similar products are found below :

[7442AD2X5FRX](#) [EX-19B-LP](#) [EX-19SB-PN](#) [7443AR0X5FRX](#) [7452AD4D4NNX](#) [7694ADE04DS2X](#) [FE7C-FRC6S-M](#) [FX-305](#) [PM-R24-R](#)
[Q45VR2FPQ](#) [13104RQD07](#) [E3JUXM4MN](#) [E3L2DC4](#) [E3S3LE21](#) [E3SCT11M1J03M](#) [E3SDS20E21](#) [E3VDS70C43S](#) [E3XNM16](#) [BR23P](#)
[HOA6563-001](#) [OJ-3307-30N8](#) [OS-311A-30](#) [P32013](#) [P34036](#) [P43004](#) [P60001](#) [PB10CNT15PO](#) [S14132](#) [935286-000](#) [S52101](#) [S56258](#) [FD-](#)
[SN500](#) [FE7B-FDRB6-M](#) [SU-79](#) [T36342](#) [T40300](#) [T60001](#) [PD60CNX20BP](#) [FX-302-HY](#) [FZS](#) [PM-T64W](#) [PZ2-51P](#) [CX-491-P-J](#) [CYNUTX10](#)
[UZB802](#) [UZB803](#) [UZFRG1](#) [UZFRG4](#) [UZFRT4](#) [UZFTT8](#)