

OE120322

OPTICAL SENSORS • THROUGH-BEAM SENSORS RECEIVERS

sensor optical, Through-beam sensor receiver, M12x1 72long, Sn: 15m, 10-30V DC, PNP Programmable/configurable, Connector M12, IP67, Brass Nickel-plated, Infrared light



MECHANICAL FEATURES

Ambient temperature	-20 °C ... 50 °C
Degree of protection (IP)	IP67
Design	Cylinder, screw-thread
Housing coating	Nickel-plated
Housing material	Brass
Sensor length	72 mm
Shock resistance	30 g
Thread length	40 mm
Thread pitch	1 mm
Thread size, metric	12
Version	Through-beam sensor receiver

ELECTRICAL FEATURES

Connection to amplifier	-
Measuring range	15 m
No-load current	10.5 mA
No-load current, receiver	10.5 mA
Operating voltage	10 V ... 30 V
Rated switching current	500 mA
Rated switching distance	15000 mm
Scanning function	Light-/dark-on mode
Suitable for safety functions	-
Switching frequency	200 Hz
Type of electrical connection	Connector M12
Type of input voltage	DC
Type of switching function	Programmable/configurable
Type of switching output	PNP
Voltage type	DC
With LED display	+
With time function	-

OPTICAL FEATURES

Angle of beam spread	16 °
----------------------	------

OPTICAL FEATURES

Light source	Infrared light
Wavelength of the sensor	880 nm
Light beam form	Point

OTHER FEATURES

Scope of delivery of the one-way system	Receiver
---	----------

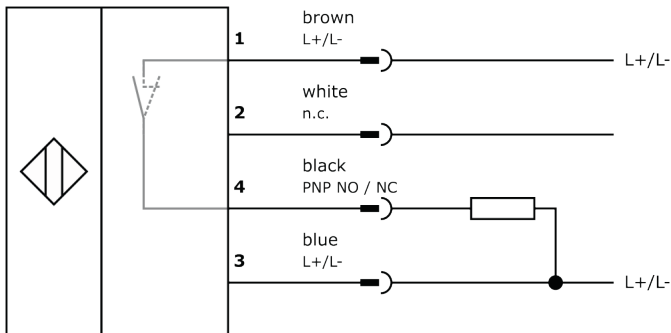
Other

Packaging dimensions	77.0mm x 25.0mm x 123.0mm
Shipping weight	0.04kg
Tariff code	85365019

Classification

ipf product group	100
eClass 8.0	27270901
eClass 9.0	27270901
eClass 9.1	27270901
ETIM-5.0	EC002716
ETIM-6.0	EC002716
ETIM-7.0	EC002716

Connection



Dimensional drawing

Installation



Mounting / installation may only be carried out by a qualified electrician!

Disposal



Safety warnings

Before initial operation, please make sure to follow all safety instructions that may be provided in the product information. Never use these devices in applications where the safety of a person depends on their functionality. LED lighting systems can generate intensive UV radiation, which can damage your eyes in case of improper use. The manufacturer cannot be held responsible for damages that result from improper use or connection.

X-ON Electronics

Largest Supplier of Electrical and Electronic Components

Click to view similar products for [Photoelectric Sensors](#) category:

Click to view products by [IPF ELECTRONIC](#) manufacturer:

Other Similar products are found below :

[7442AD2X5FRX](#) [EX-19B-LP](#) [EX-19SB-PN](#) [7443AR0X5FRX](#) [7452AD4D4NNX](#) [7694ADE04DS2X](#) [FE7C-FRC6S-M](#) [FX-305](#) [PM-R24-R](#)
[Q45VR2FPQ](#) [13104RQD07](#) [E3JUXM4MN](#) [E3L2DC4](#) [E3S3LE21](#) [E3SCT11M1J03M](#) [E3SDS20E21](#) [E3VDS70C43S](#) [E3XNM16](#) [BR23P](#)
[HOA6563-001](#) [OJ-3307-30N8](#) [OS-311A-30](#) [P32013](#) [P34036](#) [P43004](#) [P60001](#) [PB10CNT15PO](#) [S14132](#) [935286-000](#) [S52101](#) [S56258](#) [FD-](#)
[SN500](#) [FE7B-FDRB6-M](#) [SU-79](#) [T36342](#) [T40300](#) [T60001](#) [PD60CNX20BP](#) [FX-302-HY](#) [FZS](#) [PM-T64W](#) [PZ2-51P](#) [CX-491-P-J](#) [CYNUTX10](#)
[UZB802](#) [UZB803](#) [UZFRG1](#) [UZFRG4](#) [UZFRT4](#) [UZFTT8](#)