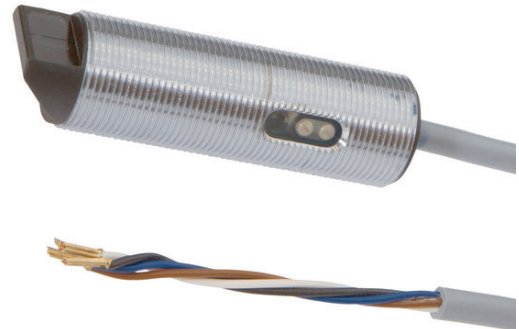


OE18040C

OPTICAL SENSORS • THROUGH-BEAM SENSORS RECEIVERS

sensor optical, Through-beam sensor receiver, M18x1 62long, Sn: 20m, 10-35V DC, PNP Anticoincidence, Cable 4pin 2m PVC, IP67, Brass Chrome-plated+Glass, Polarity free red light



MECHANICAL FEATURES

Ambient temperature	-25 °C ... 55 °C
Cable length	2 m
Degree of protection (IP)	IP67
Design	Cylinder, screw-thread
Housing coating	Chrome-plated
Housing material	Brass
Light exit	Lateral
Material of cable sheath	PVC
Material of optical surface	Glass
Max. tightening torque	20 Nm
Sensor length	61.5 mm
Thread length	53 mm
Thread pitch	1 mm
Thread size, metric	18
Version	Through-beam sensor receiver
Wire cross section	0.25 mm ²

ELECTRICAL FEATURES

Connection to amplifier	-
Decay time	0.5 ms
Measuring range	20 m
No-load current	10 mA
No-load current, receiver	10 mA
Number of pins	4
Operating voltage	10 V ... 35 V
Rated switching current	200 mA
Rated switching distance	20000 mm
Readiness delay	20 ms
Residual ripple	20 %
Response time	0.5 ms
Reverse polarity protection	+
Scanning function	Light-/dark-on mode
Short-circuit protection	+

ELECTRICAL FEATURES

Suitable for safety functions	-
Switching frequency	1000 Hz
Type of electrical connection	Cable
Type of input voltage	DC
Type of switching function	Anticoincidence
Type of switching output	PNP
Voltage drop	2 V
Voltage type	DC
With LED display	+
With LED display (functional reserve)	+
With LED display (signal)	+
With time function	-

OPTICAL FEATURES

Light source	Polarity free red light
Wavelength of the sensor	660 nm
Light beam form	Point

OTHER FEATURES

Scope of delivery of the one-way system	Receiver
---	----------

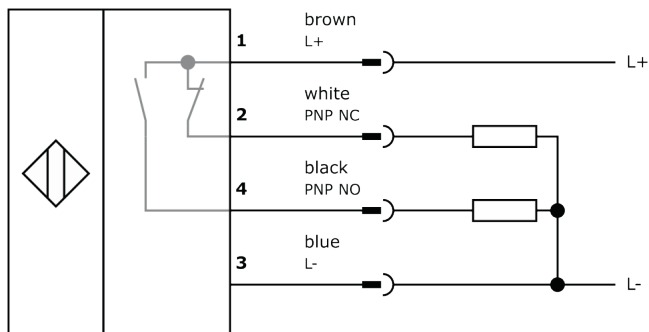
Other

Packaging dimensions	180mm x 0.0mm x 210mm
Shipping weight	0.13kg
Tariff code	85365019

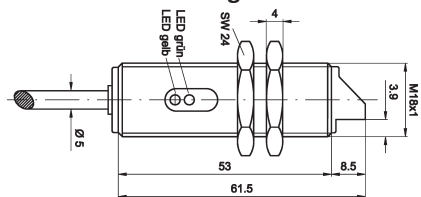
Classification

ipf product group	100
eClass 8.0	27270901
eClass 9.0	27270901
eClass 9.1	27270901
ETIM-5.0	EC002716
ETIM-6.0	EC002716
ETIM-7.0	EC002716

Connection



Dimensional drawing



Installation



Mounting / installation may only be carried out by a qualified electrician!

Disposal



Safety warnings

Before initial operation, please make sure to follow all safety instructions that may be provided in the product information. Never use these devices in applications where the safety of a person depends on their functionality. LED lighting systems can generate intensive UV radiation, which can damage your eyes in case of improper use. The manufacturer cannot be held responsible for damages that result from improper use or connection.

X-ON Electronics

Largest Supplier of Electrical and Electronic Components

Click to view similar products for [Photoelectric Sensors](#) category:

Click to view products by [IPF ELECTRONIC](#) manufacturer:

Other Similar products are found below :

[7442AD2X5FRX](#) [EX-19B-LP](#) [EX-19SB-PN](#) [7443AR0X5FRX](#) [7452AD4D4NNX](#) [7694ADE04DS2X](#) [FE7C-FRC6S-M](#) [FX-305](#) [PM-R24-R](#)
[Q45VR2FPQ](#) [13104RQD07](#) [E3JUXM4MN](#) [E3L2DC4](#) [E3S3LE21](#) [E3SCT11M1J03M](#) [E3SDS20E21](#) [E3VDS70C43S](#) [E3XNM16](#) [BR23P](#)
[HOA6563-001](#) [OJ-3307-30N8](#) [OS-311A-30](#) [P32013](#) [P34036](#) [P43004](#) [P60001](#) [PB10CNT15PO](#) [S14132](#) [935286-000](#) [S52101](#) [S56258](#) [FD-](#)
[SN500](#) [FE7B-FDRB6-M](#) [SU-79](#) [T36342](#) [T40300](#) [T60001](#) [PD60CNX20BP](#) [FX-302-HY](#) [FZS](#) [PM-T64W](#) [PZ2-51P](#) [CX-491-P-J](#) [CYNUTX10](#)
[UZB802](#) [UZB803](#) [UZFRG1](#) [UZFRG4](#) [UZFRT4](#) [UZFTT8](#)