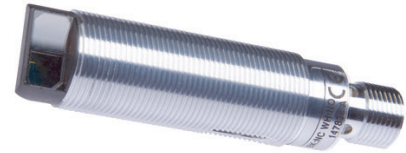


## OE18042C

### OPTICAL SENSORS • THROUGH-BEAM SENSORS RECEIVERS

sensor optical, Through-beam sensor receiver, M18x1 75long, Sn: 20m, 10-35V DC, PNP Anticoincidence, Connector M12, IP67, Brass Chrome-plated+Glass, Polarity free red light



#### MECHANICAL FEATURES

Ambient temperature	-25 °C ... 55 °C
Degree of protection (IP)	IP67
Design	Cylinder, screw-thread
Housing coating	Chrome-plated
Housing material	Brass
Light exit	Lateral
Material of optical surface	Glass
Max. tightening torque	20 Nm
Sensor length	75 mm
Thread length	45 mm
Thread pitch	1 mm
Thread size, metric	18
Version	Through-beam sensor receiver

#### ELECTRICAL FEATURES

Connection to amplifier	-
Decay time	0.5 ms
Measuring range	20 m
No-load current	10 mA
No-load current, receiver	10 mA
Operating voltage	10 V ... 35 V
Rated switching current	200 mA
Rated switching distance	20000 mm
Readiness delay	20 ms
Residual ripple	20 %
Response time	0.5 ms
Reverse polarity protection	+
Scanning function	Light-/dark-on mode
Short-circuit protection	+
Suitable for safety functions	-
Switching frequency	1000 Hz
Type of electrical connection	Connector M12
Type of input voltage	DC

## ELECTRICAL FEATURES

Type of switching function	Anticoincidence
Type of switching output	PNP
Voltage drop	2 V
Voltage type	DC
With LED display	+
With LED display (functional reserve)	+
With LED display (signal)	+
With time function	-

## OPTICAL FEATURES

Light source	Polarity free red light
Wavelength of the sensor	660 nm
Light beam form	Point

## OTHER FEATURES

Scope of delivery of the one-way system	Receiver
---	----------

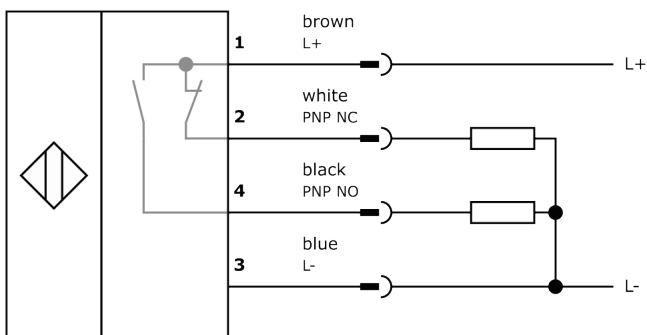
## Other

Packaging dimensions	180mm x 20mm x 210mm
Shipping weight	0.08kg
Tariff code	85365019

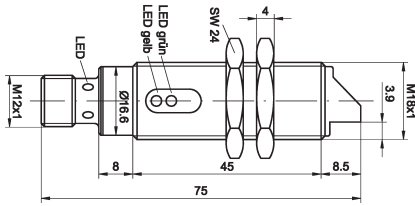
## Classification

ipf product group	100
eClass 8.0	27270901
eClass 9.0	27270901
eClass 9.1	27270901
ETIM-5.0	EC002716
ETIM-6.0	EC002716
ETIM-7.0	EC002716

## Connection



## Dimensional drawing



## Installation



Mounting / installation may only be carried out by a qualified electrician!

## Disposal



## Safety warnings

Before initial operation, please make sure to follow all safety instructions that may be provided in the product information. Never use these devices in applications where the safety of a person depends on their functionality. LED lighting systems can generate intensive UV radiation, which can damage your eyes in case of improper use. The manufacturer cannot be held responsible for damages that result from improper use or connection.

## X-ON Electronics

Largest Supplier of Electrical and Electronic Components

*Click to view similar products for [Photoelectric Sensors](#) category:*

*Click to view products by [IPF ELECTRONIC](#) manufacturer:*

Other Similar products are found below :

[7442AD2X5FRX](#) [EX-19B-LP](#) [EX-19SB-PN](#) [7443AR0X5FRX](#) [7452AD4D4NNX](#) [7694ADE04DS2X](#) [FE7C-FRC6S-M](#) [FX-305](#) [PM-R24-R](#)  
[Q45VR2FPQ](#) [13104RQD07](#) [E3JUXM4MN](#) [E3L2DC4](#) [E3S3LE21](#) [E3SCT11M1J03M](#) [E3SDS20E21](#) [E3VDS70C43S](#) [E3XNM16](#) [BR23P](#)  
[HOA6563-001](#) [OJ-3307-30N8](#) [OS-311A-30](#) [P32013](#) [P34036](#) [P43004](#) [P60001](#) [PB10CNT15PO](#) [S14132](#) [935286-000](#) [S52101](#) [S56258](#) [FD-](#)  
[SN500](#) [FE7B-FDRB6-M](#) [SU-79](#) [T36342](#) [T40300](#) [T60001](#) [PD60CNX20BP](#) [FX-302-HY](#) [FZS](#) [PM-T64W](#) [PZ2-51P](#) [CX-491-P-J](#) [CYNUTX10](#)  
[UZB802](#) [UZB803](#) [UZFRG1](#) [UZFRG4](#) [UZFRT4](#) [UZFTT8](#)