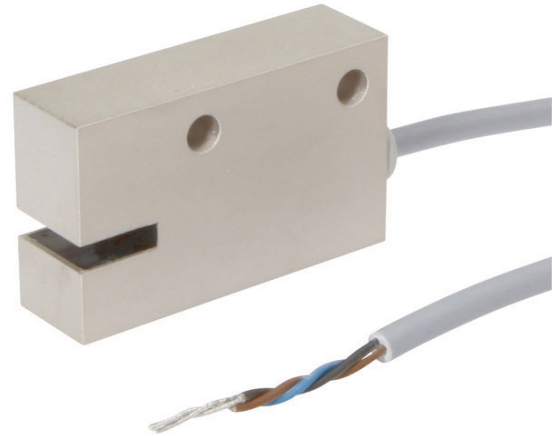


## OG032180

### OPTICAL SENSORS • FORKED LIGHT BARRIERS

sensor optical, fork, 25x12x41mm, fork width 3mm, 4.5-30V DC, 1x PNP NO (NO), Cable 3pin 2m, IP65, Brass, Infrared light, 50kHz



#### MECHANICAL FEATURES

Ambient temperature	-25 °C ... 65 °C
Cable length	2 m
Degree of protection (IP)	IP65
Design	Cuboid
Diameter detection	-
Fork depth	10 mm
Fork light barrier design	Furcate
Fork width	3 mm
Housing material	Brass
Installation bracket	-
Sensor height	25 mm
Sensor length	12 mm
Sensor width	41 mm

#### ELECTRICAL FEATURES

Analog output 0 V ... 10 V	-
Analog output 4 mA ... 20 mA	-
Connection to amplifier	-
Dynamic switching output	-
Equipment protection class	Protection class 3
Hysteresis	0.1 mm
No-load current	25 mA
Number of pins	3
Number of switching outputs	1
Operating voltage	4.5 V ... 30 V
Rated switching current	100 mA
Relative repeat accuracy	0.01 mm
Repeatability +/-	10 µm
Reverse polarity protection	+
Scanning function	Dark switching
Switching frequency	50000 Hz
Type of electrical connection	Cable
Type of switching function	Normally open contact (NO)

## ELECTRICAL FEATURES

Type of switching output	PNP
Type of the forked light barrier	Standard
Voltage drop	1 V
Voltage type	DC
With communication interface, analog	-
With communication interface, RS-232	-
With other analog output	-
With time function	-

## OPTICAL FEATURES

Min. object size	0.8 mm
Resolution	800 µm
Light beam form	Point
Pulsed light source	-

## OTHER FEATURES

Feeding technology	+
--------------------	---

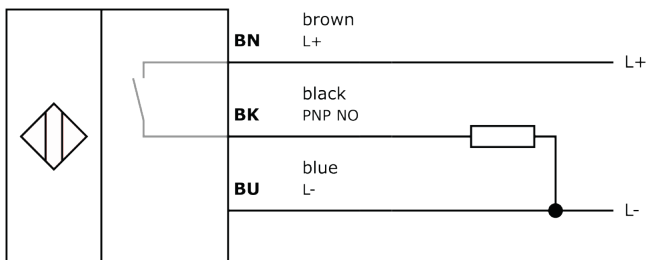
### Other

Packaging dimensions	77.0mm x 25.0mm x 123.0mm
Shipping weight	0.12kg
Tariff code	85365019

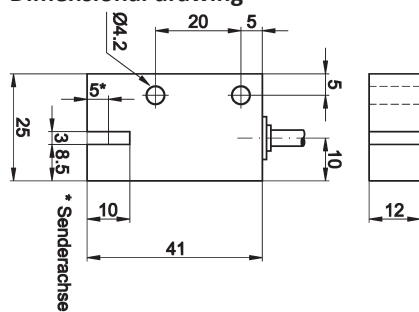
### Classification

ipf product group	110
eClass 8.0	27270909
eClass 9.0	27270909
eClass 9.1	27270909
ETIM-5.0	EC002720
ETIM-6.0	EC002720
ETIM-7.0	EC002720

## Connection



## Dimensional drawing



## Installation



Mounting / installation may only be carried out by a qualified electrician!

## Disposal



## Safety warnings

Before initial operation, please make sure to follow all safety instructions that may be provided in the product information. Never use these devices in applications where the safety of a person depends on their functionality. LED lighting systems can generate intensive UV radiation, which can damage your eyes in case of improper use. The manufacturer cannot be held responsible for damages that result from improper use or connection.

## X-ON Electronics

Largest Supplier of Electrical and Electronic Components

*Click to view similar products for [Photoelectric Sensors](#) category:*

*Click to view products by [IPF ELECTRONIC](#) manufacturer:*

Other Similar products are found below :

[7442AD2X5FRX](#) [EX-19B-LP](#) [EX-19SB-PN](#) [7443AR0X5FRX](#) [7452AD4D4NNX](#) [7694ADE04DS2X](#) [FE7C-FRC6S-M](#) [FX-305](#) [PM-R24-R](#)  
[Q45VR2FPQ](#) [13104RQD07](#) [E3JUXM4MN](#) [E3L2DC4](#) [E3S3LE21](#) [E3SCT11M1J03M](#) [E3SDS20E21](#) [E3VDS70C43S](#) [E3XNM16](#) [BR23P](#)  
[HOA6563-001](#) [OJ-3307-30N8](#) [OS-311A-30](#) [P32013](#) [P34036](#) [P43004](#) [P60001](#) [PB10CNT15PO](#) [S14132](#) [935286-000](#) [S52101](#) [S56258](#) [FD-](#)  
[SN500](#) [FE7B-FDRB6-M](#) [SU-79](#) [T36342](#) [T40300](#) [T60001](#) [PD60CNX20BP](#) [FX-302-HY](#) [FZS](#) [PM-T64W](#) [PZ2-51P](#) [CX-491-P-J](#) [CYNUTX10](#)  
[UZB802](#) [UZB803](#) [UZFRG1](#) [UZFRG4](#) [UZFRT4](#) [UZFTT8](#)