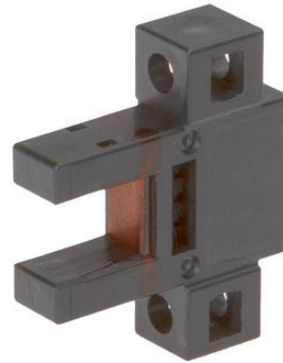


## OG06E129

### OPTICAL SENSORS • FORKED LIGHT BARRIERS

sensor optical, fork, 22x7x26mm, fork width 6mm, 5-24V DC, 1x PNP  
Anticoincidence, JST 4pin, IP40, PBT+Plastic, Infrared light, 3kHz



#### MECHANICAL FEATURES

Ambient temperature	-25 °C ... 55 °C
Degree of protection (IP)	IP40
Design	Cuboid
Diameter detection	-
Fork depth	8.4 mm
Fork light barrier design	Furcate
Fork width	6 mm
Housing material	PBT
Installation bracket	+
Material of optical surface	Plastic
Max. tightening torque	0.5 Nm
Sensor height	22.4 mm
Sensor length	7 mm
Sensor width	26 mm

#### ELECTRICAL FEATURES

Analog output 0 V ... 10 V	-
Analog output 4 mA ... 20 mA	-
Connection to amplifier	-
Decay time	0.08 ms
Dynamic switching output	-
Equipment protection class	Protection class 3
Hysteresis	0.05 mm
No-load current	15 mA
Number of pins	4
Number of switching outputs	1
Operating voltage	5 V ... 24 V
Rated switching current	50 mA
Relative repeat accuracy	0.01 mm
Response time	0.08 ms
Scanning function	Light-/dark-on mode
Short-circuit protection	+
Switching frequency	3000 Hz

## ELECTRICAL FEATURES

Type of electrical connection	JST
Type of switching function	Anticoincidence
Type of switching output	PNP
Type of the forked light barrier	Standard
Voltage drop	2 V
Voltage type	DC
With communication interface, analog	-
With communication interface, RS-232	-
With other analog output	-
With time function	-

## OPTICAL FEATURES

Min. object size	1 mm
Resolution	960 µm
Light beam form	Point
Pulsed light source	-

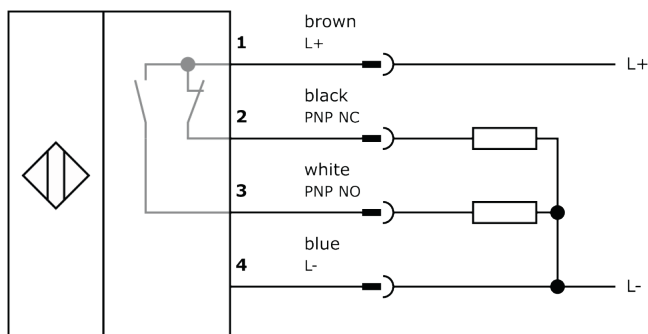
## Other

Packaging dimensions	100mm x 10mm x 120mm
Shipping weight	0.01kg
Tariff code	85365019

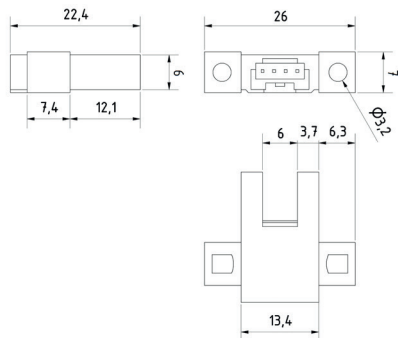
## Classification

ipf product group	700
eClass 8.0	27270909
eClass 9.0	27270909
eClass 9.1	27270909
ETIM-5.0	EC002720
ETIM-6.0	EC002720
ETIM-7.0	EC002720

## Connection



## Dimensional drawing



## Installation



Mounting / installation may only be carried out by a qualified electrician!

## Disposal



## Safety warnings

Before initial operation, please make sure to follow all safety instructions that may be provided in the product information. Never use these devices in applications where the safety of a person depends on their functionality. LED lighting systems can generate intensive UV radiation, which can damage your eyes in case of improper use. The manufacturer cannot be held responsible for damages that result from improper use or connection.

## X-ON Electronics

Largest Supplier of Electrical and Electronic Components

*Click to view similar products for [Photoelectric Sensors](#) category:*

*Click to view products by [IPF ELECTRONIC](#) manufacturer:*

Other Similar products are found below :

[7442AD2X5FRX](#) [EX-19B-LP](#) [EX-19SB-PN](#) [7443AR0X5FRX](#) [7452AD4D4NNX](#) [7694ADE04DS2X](#) [FE7C-FRC6S-M](#) [FX-305](#) [PM-R24-R](#)  
[Q45VR2FPQ](#) [13104RQD07](#) [E3JUXM4MN](#) [E3L2DC4](#) [E3S3LE21](#) [E3SCT11M1J03M](#) [E3SDS20E21](#) [E3VDS70C43S](#) [E3XNM16](#) [BR23P](#)  
[HOA6563-001](#) [OJ-3307-30N8](#) [OS-311A-30](#) [P32013](#) [P34036](#) [P43004](#) [P60001](#) [PB10CNT15PO](#) [S14132](#) [935286-000](#) [S52101](#) [S56258](#) [FD-](#)  
[SN500](#) [FE7B-FDRB6-M](#) [SU-79](#) [T36342](#) [T40300](#) [T60001](#) [PD60CNX20BP](#) [FX-302-HY](#) [FZS](#) [PM-T64W](#) [PZ2-51P](#) [CX-491-P-J](#) [CYNUTX10](#)  
[UZB802](#) [UZB803](#) [UZFRG1](#) [UZFRG4](#) [UZFRT4](#) [UZFTT8](#)