

OG500021

OPTICAL SENSORS • FORKED LIGHT BARRIERS

sensor optical, fork, 105x15x75mm, fork width 50mm, 15-35V DC, 1x PNP NC/NO, 4-20 mA, Connector M12 4pin, IP67, Zinc die-cast+Plastic, Infrared light, 2kHz, Manual adjustment



MECHANICAL FEATURES

Ambient temperature	5 °C ... 50 °C
Degree of protection (IP)	IP67
Design	Cuboid
Diameter detection	+
Fork depth	50 mm
Fork light barrier design	Furcate
Fork width	50 mm
Housing material	Zinc die-cast
Installation bracket	-
Material of optical surface	Plastic
Sensor height	105 mm
Sensor length	15 mm
Sensor width	75 mm

ELECTRICAL FEATURES

Analog output 0 V ... 10 V	-
Analog output 4 mA ... 20 mA	+
Connection to amplifier	-
Decay time	0.25 ms
Dynamic switching output	-
Equipment protection class	Protection class 3
Hysteresis	0.25 mm
Measurement of light beam coverage	+
No-load current	50 mA
Number of pins	4
Number of switching outputs	1
Operating voltage	15 V ... 35 V
Rated switching current	200 mA
Relative repeat accuracy	0.05 mm
Repeatability +/-	50 µm
Response time	0.25 ms
Reverse polarity protection	+
Scanning function	Light-/dark-on mode

ELECTRICAL FEATURES

Setting procedure	Manual adjustment
Short-circuit protection	+
Switching frequency	2000 Hz
Type of analog output	4-20 mA
Type of electrical connection	Connector M12
Type of switching function	Normally closed contact/normally open contact
Type of switching output	PNP
Type of the forked light barrier	Analog
Voltage drop	2.8 V
Voltage type	DC
With communication interface, analog	-
With communication interface, RS-232	-
With other analog output	-
With time function	-

OPTICAL FEATURES

Min. object size	0.5 mm
Resolution	500 µm
Light beam form	Point
Pulsed light source	-

OTHER FEATURES

Edge control	+
Feeding technology	+

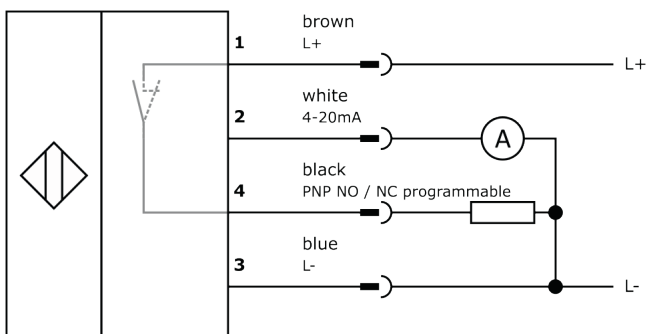
Other

Packaging dimensions	124.0mm x 28.0mm x 149.0mm
Shipping weight	0.2kg
Tariff code	85365019

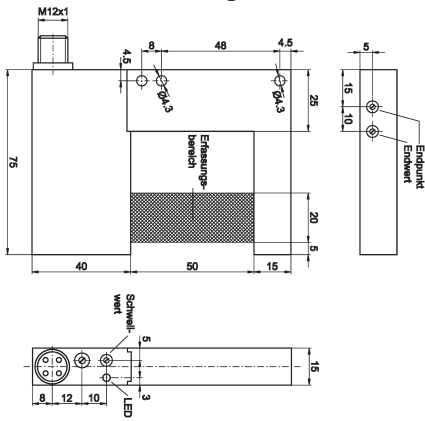
Classification

ipf product group	110
eClass 8.0	27270909
eClass 9.0	27270909
eClass 9.1	27270909
ETIM-5.0	EC002720
ETIM-6.0	EC002720
ETIM-7.0	EC002720

Connection



Dimensional drawing



Installation



Mounting / installation may only be carried out by a qualified electrician!

Disposal



Safety warnings

Before initial operation, please make sure to follow all safety instructions that may be provided in the product information. Never use these devices in applications where the safety of a person depends on their functionality. LED lighting systems can generate intensive UV radiation, which can damage your eyes in case of improper use. The manufacturer cannot be held responsible for damages that result from improper use or connection.

X-ON Electronics

Largest Supplier of Electrical and Electronic Components

Click to view similar products for [Photoelectric Sensors](#) category:

Click to view products by [IPF ELECTRONIC](#) manufacturer:

Other Similar products are found below :

[7442AD2X5FRX](#) [EX-19B-LP](#) [EX-19SB-PN](#) [7443AR0X5FRX](#) [7452AD4D4NNX](#) [7694ADE04DS2X](#) [FE7C-FRC6S-M](#) [FX-305](#) [PM-R24-R](#)
[Q45VR2FPQ](#) [13104RQD07](#) [E3JUXM4MN](#) [E3L2DC4](#) [E3S3LE21](#) [E3SCT11M1J03M](#) [E3SDS20E21](#) [E3VDS70C43S](#) [E3XNM16](#) [BR23P](#)
[HOA6563-001](#) [OJ-3307-30N8](#) [OS-311A-30](#) [P32013](#) [P34036](#) [P43004](#) [P60001](#) [PB10CNT15PO](#) [S14132](#) [935286-000](#) [S52101](#) [S56258](#) [FD-](#)
[SN500](#) [FE7B-FDRB6-M](#) [SU-79](#) [T36342](#) [T40300](#) [T60001](#) [PD60CNX20BP](#) [FX-302-HY](#) [FZS](#) [PM-T64W](#) [PZ2-51P](#) [CX-491-P-J](#) [CYNUTX10](#)
[UZB802](#) [UZB803](#) [UZFRG1](#) [UZFRG4](#) [UZFRT4](#) [UZFTT8](#)