

OGK00572

OPTICAL SENSORS • FORKED LIGHT BARRIERS

sensor optical, fork, 120x10x80mm, fork width 100mm, 10-30V DC, 1x PNP/NPN NC/NO, IO-Link, Connector M8 3pin, IP67, Zinc die-cast+Glass, Red light, 5kHz pulsed, Manual adjustment



MECHANICAL FEATURES

Ambient temperature	-25 °C ... 60 °C
Degree of protection (IP)	IP67
Design	Cuboid
Fork depth	55 mm
Fork light barrier design	Furcate
Fork width	100 mm
Housing material	Zinc die-cast
Material of optical surface	Glass
Sensor height	120 mm
Sensor length	10 mm
Sensor width	80 mm

ELECTRICAL FEATURES

Analog output 0 V ... 10 V	-
Analog output 4 mA ... 20 mA	-
Connection to amplifier	-
Decay time	0.1 ms
Equipment protection class	Protection class 3
Hysteresis	0.1 mm
IO-Link compatible	+
No-load current	30 mA
Number of pins	3
Number of switching outputs	1
Operating voltage	10 V ... 30 V
Rated switching current	100 mA
Relative repeat accuracy	0.02 mm
Repeatability +/-	20 µm
Response time	0.1 ms
Reverse polarity protection	+
Scanning function	Light-/dark-on mode
Setting procedure	Manual adjustment
Short-circuit protection	+
Switching frequency	5000 Hz

ELECTRICAL FEATURES

Type of electrical connection	Connector M8
Type of switching function	Normally closed contact/normally open contact
Type of switching output	PNP/NPN
Type of the forked light barrier	Standard
Voltage drop	2.8 V
Voltage type	DC
With communication interface, analog	-
With communication interface, RS-232	-
With other analog output	-
With time function	-

OPTICAL FEATURES

Min. object size	0.3 mm
Resolution	300 µm
Light beam form	Point
Pulsed light source	+

OTHER FEATURES

Feeding technology	+
--------------------	---

Other

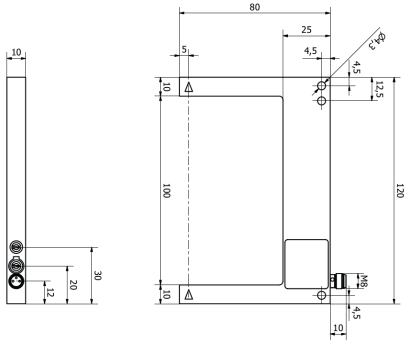
Packaging dimensions	150mm x 10mm x 160mm
Shipping weight	0.13kg
Tariff code	85365019

Classification

ipf product group	110
eClass 8.0	27270909
eClass 9.0	27270909
eClass 9.1	27270909
ETIM-5.0	EC002720
ETIM-6.0	EC002720
ETIM-7.0	EC002720

Connection

Dimensional drawing



Installation



Mounting / installation may only be carried out by a qualified electrician!

Disposal



Software

Any software, drivers or IODD files that may be required to operate your device can be downloaded free of charge from our homepage: www.ipf-electronic.com

Safety warnings

Before initial operation, please make sure to follow all safety instructions that may be provided in the product information. Never use these devices in applications where the safety of a person depends on their functionality.

LED lighting systems can generate intensive UV radiation, which can damage your eyes in case of improper use. The manufacturer cannot be held responsible for damages that result from improper use or connection.

X-ON Electronics

Largest Supplier of Electrical and Electronic Components

Click to view similar products for [Photoelectric Sensors](#) category:

Click to view products by [IPF ELECTRONIC](#) manufacturer:

Other Similar products are found below :

[7442AD2X5FRX](#) [EX-19B-LP](#) [EX-19SB-PN](#) [7443AR0X5FRX](#) [7452AD4D4NNX](#) [7694ADE04DS2X](#) [FE7C-FRC6S-M](#) [FX-305](#) [PM-R24-R](#)
[Q45VR2FPQ](#) [13104RQD07](#) [E3JUXM4MN](#) [E3L2DC4](#) [E3S3LE21](#) [E3SCT11M1J03M](#) [E3SDS20E21](#) [E3VDS70C43S](#) [E3XNM16](#) [BR23P](#)
[HOA6563-001](#) [OJ-3307-30N8](#) [OS-311A-30](#) [P32013](#) [P34036](#) [P43004](#) [P60001](#) [PB10CNT15PO](#) [S14132](#) [935286-000](#) [S52101](#) [S56258](#) [FD-](#)
[SN500](#) [FE7B-FDRB6-M](#) [SU-79](#) [T36342](#) [T40300](#) [T60001](#) [PD60CNX20BP](#) [FX-302-HY](#) [FZS](#) [PM-T64W](#) [PZ2-51P](#) [CX-491-P-J](#) [CYNUTX10](#)
[UZB802](#) [UZB803](#) [UZFRG1](#) [UZFRG4](#) [UZFRT4](#) [UZFTT8](#)