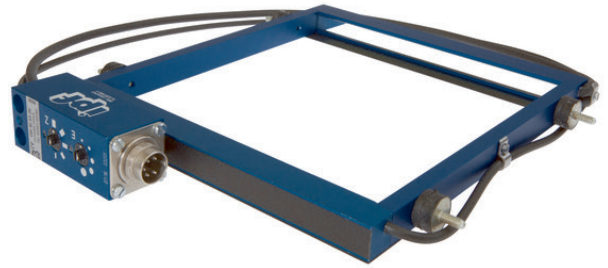


OHSI0306

OPTICAL SENSORS • FRAME LIGHT BARRIERS

sensor optical, frame 160x158, 174x15x190mm, Dynamic, resolution 0.5mm, 12-32V DC, PNP/NPN NC/NO, M16-connector 5pin, IP67, Aluminum, With time function



MECHANICAL FEATURES

Active zone height	158 mm
Active zone width	160 mm
Ambient temperature	-20 °C ... 60 °C
Degree of protection (IP)	IP67
Design	Cuboid
Frame opening, crosswise	140 mm
Frame opening, lengthwise	158 mm
Housing material	Aluminum
Reflector included in the scope of delivery	-
Sensor height	174 mm
Sensor length	15 mm
Sensor width	190 mm
With mechanical impact protection	+

ELECTRICAL FEATURES

Analog output 0 mA ... 20 mA	-
Analog output 0 V ... 10 V	-
Analog output -10 V ... +10 V	-
Analog output 4 mA ... 20 mA	-
Equipment protection class	Protection class 3
Max. switching distance	160 mm
No-load current	200 mA
Number of pins	5
Operating voltage	12 V ... 32 V
Pulse stretching	20 ms ... 300 ms
Rated control supply voltage U_s at DC	12 V ... 32 V
Rated switching current	200 mA
Reverse polarity protection	+
Setting procedure	Manual adjustment
Short-circuit protection	+
Suitable for safety functions	-
Switching frequency	1000 Hz
Type of electrical connection	M16-connector

ELECTRICAL FEATURES

Type of switching function	Normally closed contact/normally open contact
Type of switching output	PNP/NPN
Voltage type	DC
With communication interface, analog	-
With communication interface, AS-Interface	-
With communication interface, CANOpen	-
With communication interface, DeviceNet	-
With communication interface, Ethernet	-
With communication interface, INTERBUS	-
With communication interface, PROFIBUS	-
With communication interface, RS-232	-
With communication interface, RS-422	-
With communication interface, RS-485	-
With communication interface, SSD	-
With communication interface, SSI	-
With LED display	+
With monitoring function of downstream devices	-
With other analog output	-
With time function	+

OPTICAL FEATURES

Light source	Infrared light
Min. object size	0.5 mm
Resolution, dynamic	0.5

OTHER FEATURES

Version	Dynamic
---------	---------

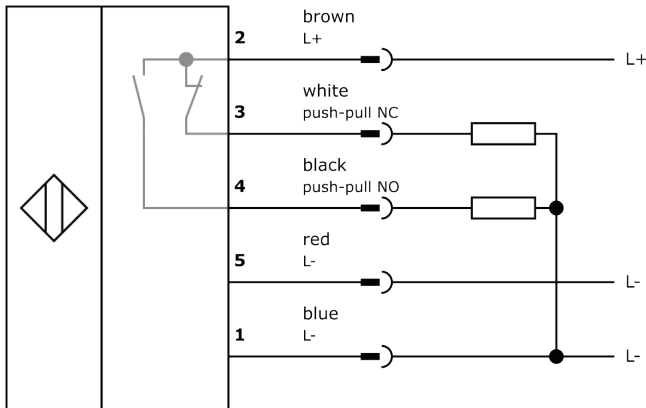
Other

Packaging dimensions	225.0mm x 40mm x 245.0mm
Shipping weight	0.4kg
Tariff code	85365019

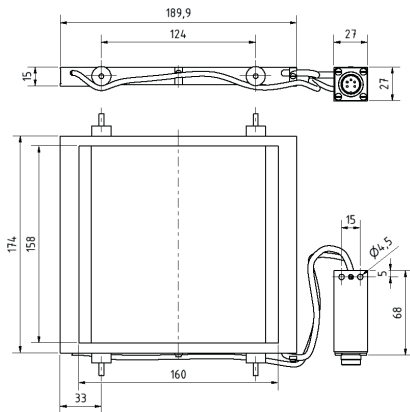
Classification

ipf product group	705
eClass 8.0	27270911
eClass 9.0	27270911
eClass 9.1	27270911
ETIM-5.0	EC002721
ETIM-6.0	EC002721
ETIM-7.0	EC002721

Connection



Dimensional drawing



Installation



Mounting / installation may only be carried out by a qualified electrician!

Disposal



Safety warnings

Before initial operation, please make sure to follow all safety instructions that may be provided in the product information.

Never use these devices in applications where the safety of a person depends on their functionality.

LED lighting systems can generate intensive UV radiation, which can damage your eyes in case of improper use. The manufacturer cannot be held responsible for damages that result from improper use or connection.

X-ON Electronics

Largest Supplier of Electrical and Electronic Components

Click to view similar products for [Photoelectric Sensors](#) category:

Click to view products by [IPF ELECTRONIC](#) manufacturer:

Other Similar products are found below :

[7442AD2X5FRX](#) [EX-19B-LP](#) [EX-19SB-PN](#) [7443AR0X5FRX](#) [7452AD4D4NNX](#) [7694ADE04DS2X](#) [FE7C-FRC6S-M](#) [FX-305](#) [PM-R24-R](#)
[Q45VR2FPQ](#) [13104RQD07](#) [E3JUXM4MN](#) [E3L2DC4](#) [E3S3LE21](#) [E3SCT11M1J03M](#) [E3SDS20E21](#) [E3VDS70C43S](#) [E3XNM16](#) [BR23P](#)
[HOA6563-001](#) [OJ-3307-30N8](#) [OS-311A-30](#) [P32013](#) [P34036](#) [P43004](#) [P60001](#) [PB10CNT15PO](#) [S14132](#) [935286-000](#) [S52101](#) [S56258](#) [FD-](#)
[SN500](#) [FE7B-FDRB6-M](#) [SU-79](#) [T36342](#) [T40300](#) [T60001](#) [PD60CNX20BP](#) [FX-302-HY](#) [FZS](#) [PM-T64W](#) [PZ2-51P](#) [CX-491-P-J](#) [CYNUTX10](#)
[UZB802](#) [UZB803](#) [UZFRG1](#) [UZFRG4](#) [UZFRT4](#) [UZFTT8](#)