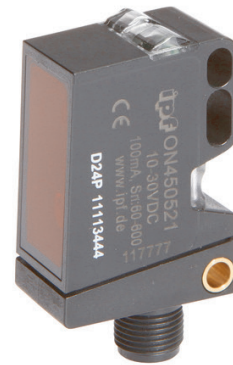


## ON450521

### OPTICAL SENSORS • AUTO-REFLECTIVE SENSOR

sensor optical, auto-reflective, 56x32x18mm, Polarized red light, Point, Teach-In, Sn: 60-600, 10-30V DC, PNP/NPN NC/NO, IO-Link, Connector M12 4pin, IP67, Plastic ASA+PMMA



#### MECHANICAL FEATURES

Ambient temperature	-25 °C ... 60 °C
Degree of protection (IP)	IP67
Design	Cuboid
Housing material	Plastic ASA
Material of optical surface	PMMA
Sensor height	56.2 mm
Sensor length	32.2 mm
Sensor width	18 mm
Storage temperature	-25 °C ... 60 °C
Volume	Medium

#### ELECTRICAL FEATURES

Alarm output	-
Decay time	0.5 ms
Function test	-
Interference suppression	+
IO-Link compatible	+
Max. switching distance	600 mm
No-load current	30 mA
Number of pins	4
Operating voltage	10 V ... 30 V
Rated switching current	100 mA
Response time	0.5 ms
Reverse polarity protection	+
Scanning function	Light-/dark-on mode
Setting procedure	Teach-In
Short-circuit protection	+
Switching frequency	1000 Hz
Type of electrical connection	Connector M12
Type of input voltage	DC
Type of switching function	Normally closed contact/normally open contact
Type of switching output	PNP/NPN
Voltage drop	3 V

## ELECTRICAL FEATURES

Voltage type	DC
With LED display	+
With polarizing filter	-
With time function	-

## OPTICAL FEATURES

Light source	Polarized red light
Min. reflector distance	60 mm
Wavelength of the sensor	630 nm
Light beam form	Point
For transparent objects	-
Small light beam diameter	+

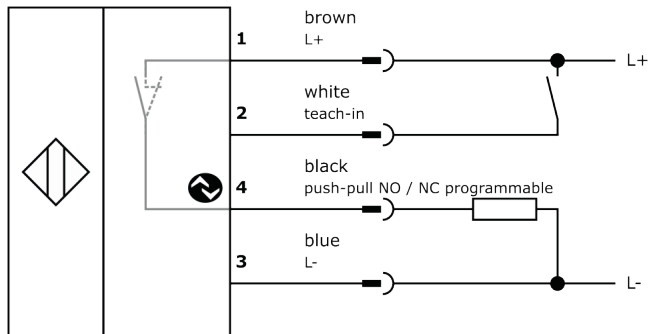
## Other

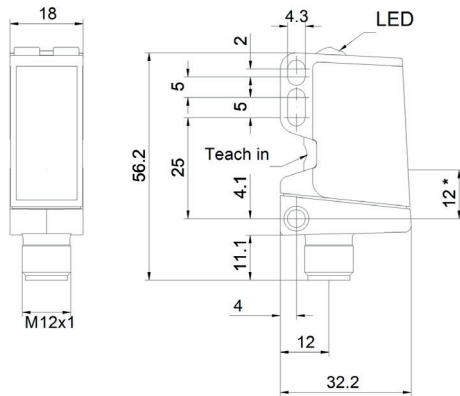
Packaging dimensions	77.0mm x 25.0mm x 123.0mm
Shipping weight	0.04kg
Tariff code	85365019

## Classification

ipf product group	100
eClass 8.0	27270902
eClass 9.0	27270902
eClass 9.1	27270902
ETIM-5.0	EC002717
ETIM-6.0	EC002717
ETIM-7.0	EC002717

## Connection



**Dimensional drawing****Installation**

Mounting / installation may only be carried out by a qualified electrician!

**Disposal****Software**

Any software, drivers or IODD files that may be required to operate your device can be downloaded free of charge from our homepage: [www.ipf-electronic.com](http://www.ipf-electronic.com)

**Safety warnings**

Before initial operation, please make sure to follow all safety instructions that may be provided in the product information. Never use these devices in applications where the safety of a person depends on their functionality.

LED lighting systems can generate intensive UV radiation, which can damage your eyes in case of improper use. The manufacturer cannot be held responsible for damages that result from improper use or connection.

## X-ON Electronics

Largest Supplier of Electrical and Electronic Components

*Click to view similar products for [Photoelectric Sensors](#) category:*

*Click to view products by [IPF ELECTRONIC](#) manufacturer:*

Other Similar products are found below :

[7442AD2X5FRX](#) [EX-19B-LP](#) [EX-19SB-PN](#) [7443AR0X5FRX](#) [7452AD4D4NNX](#) [7694ADE04DS2X](#) [FE7C-FRC6S-M](#) [FX-305](#) [PM-R24-R](#)  
[Q45VR2FPQ](#) [13104RQD07](#) [E3JUXM4MN](#) [E3L2DC4](#) [E3S3LE21](#) [E3SCT11M1J03M](#) [E3SDS20E21](#) [E3VDS70C43S](#) [E3XNM16](#) [BR23P](#)  
[HOA6563-001](#) [OJ-3307-30N8](#) [OS-311A-30](#) [P32013](#) [P34036](#) [P43004](#) [P60001](#) [PB10CNT15PO](#) [S14132](#) [935286-000](#) [S52101](#) [S56258](#) [FD-](#)  
[SN500](#) [FE7B-FDRB6-M](#) [SU-79](#) [T36342](#) [T40300](#) [T60001](#) [PD60CNX20BP](#) [FX-302-HY](#) [FZS](#) [PM-T64W](#) [PZ2-51P](#) [CX-491-P-J](#) [CYNUTX10](#)  
[UZB802](#) [UZB803](#) [UZFRG1](#) [UZFRG4](#) [UZFRT4](#) [UZFTT8](#)