

## ON45E235

### OPTICAL SENSORS • AUTO-REFLECTIVE SENSOR

sensor optical, auto-reflective, 58x38x20mm, Polarized red light, Point, Teach-In, Sn: 60-600, 10-30V DC, PNP/NPN NC/NO, Connector M12 4pin, IP69K, V4A+PMMA



#### MECHANICAL FEATURES

Ambient temperature	-25 °C ... 60 °C
Degree of protection (IP)	IP69K
Design	Cuboid
Housing material	Stainless steel 1.4404
Material of optical surface	PMMA
Sensor height	57.8 mm
Sensor length	37.7 mm
Sensor width	20.2 mm
Storage temperature	-25 °C ... 60 °C
Volume	Medium

#### ELECTRICAL FEATURES

Decay time	0.5 ms
Interference suppression	+
Max. switching distance	600 mm
No-load current	40 mA
Number of pins	4
Operating voltage	10 V ... 30 V
Rated switching current	100 mA
Response time	0.5 ms
Reverse polarity protection	+
Scanning function	Light-/dark-on mode
Setting procedure	Teach-In
Short-circuit protection	+
Switching frequency	1000 Hz
Type of electrical connection	Connector M12
Type of switching function	Normally closed contact/normally open contact
Type of switching output	PNP/NPN
Voltage drop	3 V
Voltage type	DC
With LED display	+
With polarizing filter	-
With time function	-

## OPTICAL FEATURES

Light source	Polarized red light
Min. reflector distance	60 mm
Wavelength of the sensor	630 nm
Light beam form	Point
Small light beam diameter	+

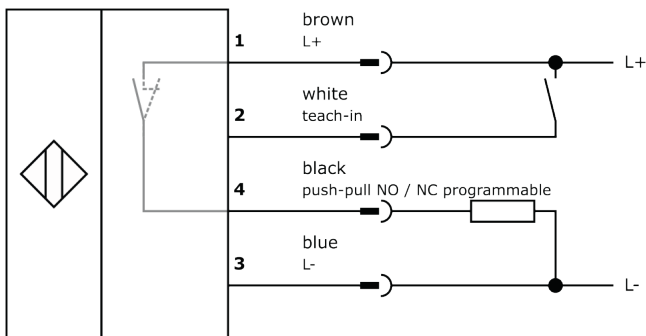
## Other

Packaging dimensions	77.0mm x 25.0mm x 123.0mm
Shipping weight	0.1kg
Tariff code	85365019

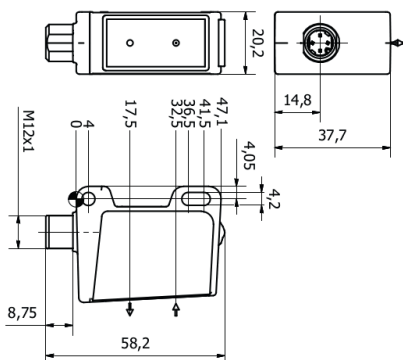
## Classification

ipf product group	700
eClass 8.0	27270902
eClass 9.0	27270902
eClass 9.1	27270902
ETIM-5.0	EC002717
ETIM-6.0	EC002717
ETIM-7.0	EC002717

## Connection



## Dimensional drawing



## Installation



Mounting / installation may only be carried out by a qualified electrician!

## Disposal



**Safety warnings**

Before initial operation, please make sure to follow all safety instructions that may be provided in the product information.

Never use these devices in applications where the safety of a person depends on their functionality.

LED lighting systems can generate intensive UV radiation, which can damage your eyes in case of improper use. The manufacturer cannot be held responsible for damages that result from improper use or connection.

## X-ON Electronics

Largest Supplier of Electrical and Electronic Components

*Click to view similar products for [Photoelectric Sensors](#) category:*

*Click to view products by [IPF ELECTRONIC](#) manufacturer:*

Other Similar products are found below :

[7442AD2X5FRX](#) [EX-19B-LP](#) [EX-19SB-PN](#) [7443AR0X5FRX](#) [7452AD4D4NNX](#) [7694ADE04DS2X](#) [FE7C-FRC6S-M](#) [FX-305](#) [PM-R24-R](#)  
[Q45VR2FPQ](#) [13104RQD07](#) [E3JUXM4MN](#) [E3L2DC4](#) [E3S3LE21](#) [E3SCT11M1J03M](#) [E3SDS20E21](#) [E3VDS70C43S](#) [E3XNM16](#) [BR23P](#)  
[HOA6563-001](#) [OJ-3307-30N8](#) [OS-311A-30](#) [P32013](#) [P34036](#) [P43004](#) [P60001](#) [PB10CNT15PO](#) [S14132](#) [935286-000](#) [S52101](#) [S56258](#) [FD-](#)  
[SN500](#) [FE7B-FDRB6-M](#) [SU-79](#) [T36342](#) [T40300](#) [T60001](#) [PD60CNX20BP](#) [FX-302-HY](#) [FZS](#) [PM-T64W](#) [PZ2-51P](#) [CX-491-P-J](#) [CYNUTX10](#)  
[UZB802](#) [UZB803](#) [UZFRG1](#) [UZFRG4](#) [UZFRT4](#) [UZFTT8](#)