

## OR130170

### OPTICAL SENSORS • RETRO-REFLECTIVE SENSORS

sensor optical, reflective, 74x12x12mm, Infrared light, Point, Sn: 4000, 10-35V DC, PNP NO (NO), Connector M8 3pin, IP65, Brass Nickel-plated+Plastic



#### MECHANICAL FEATURES

Ambient temperature	5 °C ... 70 °C
Degree of protection (IP)	IP65
Design	Cuboid
Housing coating	Nickel-plated
Housing material	Brass
Increased ambient temperatures >70°C	+
Material of optical surface	Plastic
Reflector included in the scope of delivery	-
Sensor height	74 mm
Sensor length	12 mm
Sensor width	12 mm
Volume	Small

#### ELECTRICAL FEATURES

Alarm output	-
Function test	-
Interference suppression	-
Max. switching distance	4000 mm
No-load current	30 mA
Number of pins	3
Operating voltage	10 V ... 35 V
Rated switching current	200 mA
Rated switching distance	4000 mm
Readiness delay	15 ms
Reverse polarity protection	+
Scanning function	Dark switching
Short-circuit protection	+
Switching frequency	100 Hz
Type of electrical connection	Connector M8
Type of input voltage	DC
Type of switching function	Normally open contact (NO)
Type of switching output	PNP
Voltage drop	2 V

## ELECTRICAL FEATURES

Voltage type	DC
With LED display	+
With polarizing filter	-
With time function	-

## OPTICAL FEATURES

Light source	Infrared light
Wavelength of the sensor	880 nm
Light beam form	Point
For transparent objects	-

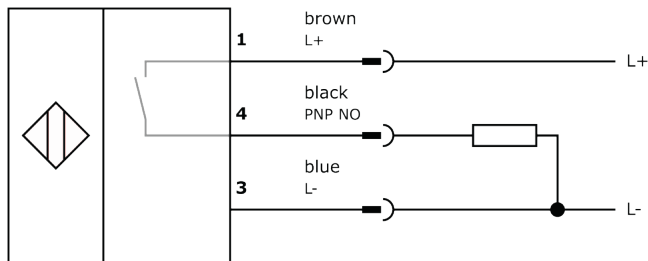
## Other

Packaging dimensions	75.0mm x 17.0mm x 95.0mm
Shipping weight	0.05kg
Tariff code	85365019

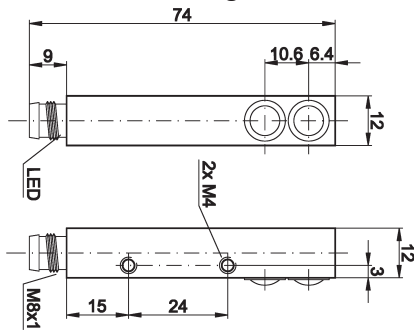
## Classification

ipf product group	100
eClass 8.0	27270902
eClass 9.0	27270902
eClass 9.1	27270902
ETIM-5.0	EC002717
ETIM-6.0	EC002717
ETIM-7.0	EC002717

## Connection



## Dimensional drawing



## Installation



Mounting / installation may only be carried out by a qualified electrician!

## Disposal



## Safety warnings

Before initial operation, please make sure to follow all safety instructions that may be provided in the product information. Never use these devices in applications where the safety of a person depends on their functionality. LED lighting systems can generate intensive UV radiation, which can damage your eyes in case of improper use. The manufacturer cannot be held responsible for damages that result from improper use or connection.

## X-ON Electronics

Largest Supplier of Electrical and Electronic Components

*Click to view similar products for [Photoelectric Sensors](#) category:*

*Click to view products by [IPF ELECTRONIC](#) manufacturer:*

Other Similar products are found below :

[7442AD2X5FRX](#) [EX-19B-LP](#) [7443AR0X5FRX](#) [7452AD4D4NNX](#) [F3WD052C5M](#) [7655AR-04-F-1-2-RX](#) [7694ADE04DS2X](#) [FE7C-FRC6S-M](#) [PM-R24-R](#) [Q45VR2FPQ](#) [E3JUXM4MN](#) [E3S3LE21](#) [E3SCT11M1J03M](#) [E3VDS70C43S](#) [E3XNM16](#) [BR23P](#) [HOA6563-001](#) [OJ-3307-30N8](#) [OS-311A-30](#) [P34036](#) [P60001](#) [PB10CNT15PO](#) [S14132](#) [S52101](#) [S56258](#) [SH-21E](#) [SH-32R](#) [FD-SN500](#) [SU-79](#) [T36342](#) [T40300](#) [T60001](#) [PD60CNX20BP](#) [FX-302-HY](#) [PX-22](#) [PZ2-51P](#) [CYNUTX10](#) [UZB802](#) [UZB803](#) [UZFRG1](#) [UZFRG4](#) [UZFRT4](#) [UZFTT8](#) [ZX-XC4A4M](#) [E3D-R3Y1](#) [E3E23Y2US](#) [E3E-R1Y2](#) [E3SDS20E1](#) [E3TFD14N](#) [E3XR-CC4](#)