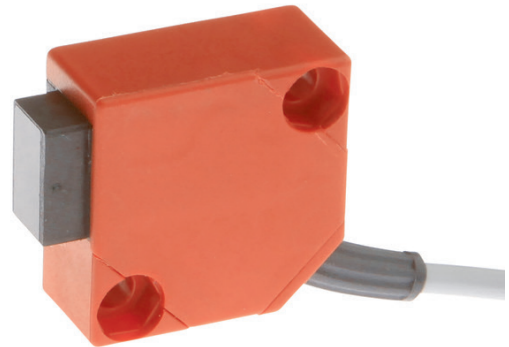


## OR150400

### OPTICAL SENSORS • RETRO-REFLECTIVE SENSORS

sensor optical, reflective, 30x30x15mm, Polarized red light, Point, Manual adjustment, Sn: 200-4000, 10-35V DC, PNP Anticoincidence, Cable 3m PVC, IP67, PBTP+Glass, With polarizing filter



#### MECHANICAL FEATURES

Ambient temperature	-25 °C ... 55 °C
Cable length	3 m
Degree of protection (IP)	IP67
Design	Cuboid
Housing material	PBTP
Increased ambient temperatures >70°C	-
Material of cable sheath	PVC
Material of optical surface	Glass
Number of cores	4
Reflector included in the scope of delivery	-
Sensor height	30 mm
Sensor length	30 mm
Sensor width	15 mm
Volume	Small

#### ELECTRICAL FEATURES

Alarm output	-
Clock frequency of the transmitter	15 kHz
Decay time	0.5 ms
Function test	-
Interference suppression	-
Max. switching distance	4000 mm
No-load current	20 mA
Operating voltage	10 V ... 35 V
Rated switching current	200 mA
Rated switching distance	4000 mm
Readiness delay	100 ms
Residual ripple	20 %
Response time	0.5 ms
Reverse polarity protection	+
Scanning function	Light-/dark-on mode
Setting procedure	Manual adjustment
Short-circuit protection	+

## ELECTRICAL FEATURES

Switching frequency	1000 Hz
Type of electrical connection	Cable
Type of input voltage	DC
Type of switching function	Anticoincidence
Type of switching output	PNP
Voltage drop	2 V
Voltage type	DC
With LED display	+
With polarizing filter	+
With time function	-

## OPTICAL FEATURES

Light source	Polarized red light
Min. reflector distance	200 mm
Wavelength of the sensor	660 nm
Light beam form	Point
For transparent objects	-

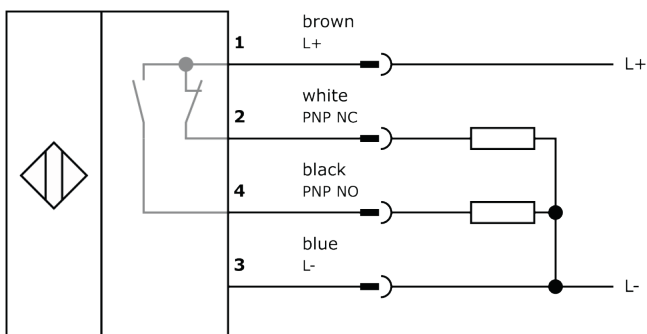
## Other

Packaging dimensions	185.0mm x 160mm x 210mm
Shipping weight	0.1kg
Tariff code	85365019

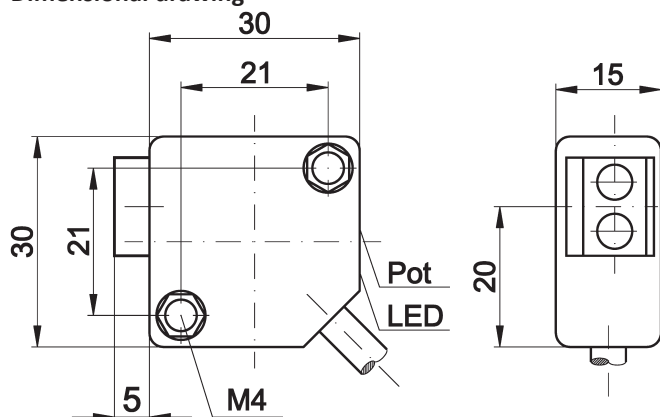
## Classification

ipf product group	100
eClass 8.0	27270902
eClass 9.0	27270902
eClass 9.1	27270902
ETIM-5.0	EC002717
ETIM-6.0	EC002717
ETIM-7.0	EC002717

## Connection



## Dimensional drawing



### Installation



Mounting / installation may only be carried out by a qualified electrician!

### Disposal



### Safety warnings

Before initial operation, please make sure to follow all safety instructions that may be provided in the product information. Never use these devices in applications where the safety of a person depends on their functionality. LED lighting systems can generate intensive UV radiation, which can damage your eyes in case of improper use. The manufacturer cannot be held responsible for damages that result from improper use or connection.

## X-ON Electronics

Largest Supplier of Electrical and Electronic Components

*Click to view similar products for [Photoelectric Sensors](#) category:*

*Click to view products by [IPF ELECTRONIC](#) manufacturer:*

Other Similar products are found below :

[7442AD2X5FRX](#) [EX-19B-LP](#) [7443AR0X5FRX](#) [7452AD4D4NNX](#) [F3WD052C5M](#) [7655AR-04-F-1-2-RX](#) [7694ADE04DS2X](#) [FE7C-FRC6S-M](#) [PM-R24-R](#) [Q45VR2FPQ](#) [E3JUXM4MN](#) [E3S3LE21](#) [E3SCT11M1J03M](#) [E3VDS70C43S](#) [E3XNM16](#) [BR23P](#) [HOA6563-001](#) [OJ-3307-30N8](#) [OS-311A-30](#) [P34036](#) [P60001](#) [PB10CNT15PO](#) [S14132](#) [S52101](#) [S56258](#) [SH-21E](#) [SH-32R](#) [FD-SN500](#) [SU-79](#) [T36342](#) [T40300](#) [T60001](#) [PD60CNX20BP](#) [FX-302-HY](#) [PX-22](#) [PZ2-51P](#) [CYNUTX10](#) [UZB802](#) [UZB803](#) [UZFRG1](#) [UZFRG4](#) [UZFRT4](#) [UZFTT8](#) [ZX-XC4A4M](#) [E3D-R3Y1](#) [E3E23Y2US](#) [E3E-R1Y2](#) [E3SDS20E1](#) [E3TFD14N](#) [E3XR-CC4](#)