

OR180226

OPTICAL SENSORS • RETRO-REFLECTIVE SENSORS

sensor optical, reflective, M18x1 64long, Polarized red light, Point, Sn: 2000, 10-35V DC, PNP NC (NC), Connector M12 4pin, IP67, Brass Chrome-plated+Glass, With polarizing filter



MECHANICAL FEATURES

Ambient temperature	-25 °C ... 55 °C
Degree of protection (IP)	IP67
Design	Cylinder, screw-thread
Housing coating	Chrome-plated
Housing material	Brass
Increased ambient temperatures >70°C	-
Material of optical surface	Glass
Max. tightening torque	20 Nm
Reflector included in the scope of delivery	-
Sensor diameter	18 mm
Sensor length	63.5 mm
Thread length	42 mm
Thread pitch	1 mm
Thread size, metric	18

ELECTRICAL FEATURES

Alarm output	-
Clock frequency of the transmitter	15 kHz
Decay time	0.5 ms
Function test	-
Interference suppression	-
Max. switching distance	2000 mm
No-load current	15 mA
Number of pins	4
Operating voltage	10 V ... 35 V
Rated switching current	200 mA
Rated switching distance	2000 mm
Readiness delay	20 ms
Response time	0.5 ms
Reverse polarity protection	+
Scanning function	Light switching
Short-circuit protection	+
Switching frequency	1000 Hz

ELECTRICAL FEATURES

Type of electrical connection	Connector M12
Type of input voltage	DC
Type of switching function	Normally closed contact (NC)
Type of switching output	PNP
Voltage drop	2 V
Voltage type	DC
With LED display	+
With polarizing filter	+
With time function	-

OPTICAL FEATURES

Light source	Polarized red light
Wavelength of the sensor	660 nm
Light beam form	Point
For transparent objects	-

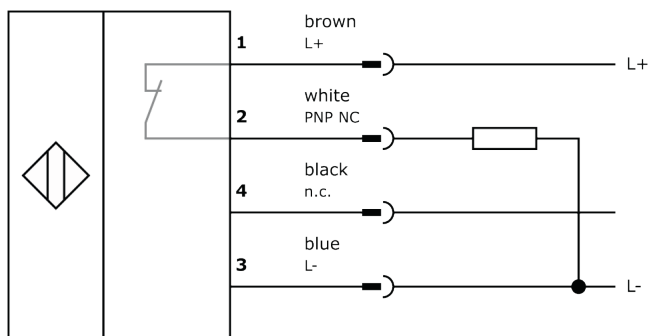
Other

Packaging dimensions	185.0mm x 19.0mm x 210mm
Shipping weight	0.07kg
Tariff code	85365019

Classification

ipf product group	100
eClass 8.0	27270902
eClass 9.0	27270902
eClass 9.1	27270902
ETIM-5.0	EC002717
ETIM-6.0	EC002717
ETIM-7.0	EC002717

Connection



Dimensional drawing

Installation



Mounting / installation may only be carried out by a qualified electrician!

Disposal



Safety warnings

Before initial operation, please make sure to follow all safety instructions that may be provided in the product information.

Never use these devices in applications where the safety of a person depends on their functionality.

LED lighting systems can generate intensive UV radiation, which can damage your eyes in case of improper use. The manufacturer cannot be held responsible for damages that result from improper use or connection.

X-ON Electronics

Largest Supplier of Electrical and Electronic Components

Click to view similar products for [Photoelectric Sensors](#) category:

Click to view products by [IPF ELECTRONIC](#) manufacturer:

Other Similar products are found below :

[7442AD2X5FRX](#) [EX-19B-LP](#) [7443AR0X5FRX](#) [7452AD4D4NNX](#) [F3WD052C5M](#) [7655AR-04-F-1-2-RX](#) [7694ADE04DS2X](#) [FE7C-FRC6S-M](#) [PM-R24-R](#) [Q45VR2FPQ](#) [E3JUXM4MN](#) [E3S3LE21](#) [E3SCT11M1J03M](#) [E3VDS70C43S](#) [E3XNM16](#) [BR23P](#) [HOA6563-001](#) [OJ-3307-30N8](#) [OS-311A-30](#) [P34036](#) [P60001](#) [PB10CNT15PO](#) [S14132](#) [S52101](#) [S56258](#) [SH-21E](#) [SH-32R](#) [FD-SN500](#) [SU-79](#) [T36342](#) [T40300](#) [T60001](#) [PD60CNX20BP](#) [FX-302-HY](#) [PX-22](#) [PZ2-51P](#) [CYNUTX10](#) [UZB802](#) [UZB803](#) [UZFRG1](#) [UZFRG4](#) [UZFRT4](#) [UZFTT8](#) [ZX-XC4A4M](#) [E3D-R3Y1](#) [E3E23Y2US](#) [E3E-R1Y2](#) [E3SDS20E1](#) [E3TFD14N](#) [E3XR-CC4](#)