

OR210421

OPTICAL SENSORS • RETRO-REFLECTIVE SENSORS

sensor optical, reflective, 50x40x15mm, Polarized red light, Point, Manual adjustment, Sn: 4000, 10-35V DC, PNP NC/NO, Rotatable M12-connector 4pin, IP67, PBTP+PMMA, With polarizing filter



MECHANICAL FEATURES

Ambient temperature	-5 °C ... 55 °C
Degree of protection (IP)	IP67
Design	Cuboid
Housing material	PBTP
Increased ambient temperatures >70°C	-
Material of optical surface	PMMA
Reflector included in the scope of delivery	-
Sensor height	50 mm
Sensor length	40 mm
Sensor width	15 mm
Volume	Medium

ELECTRICAL FEATURES

Alarm output	-
Clock frequency of the transmitter	15 kHz
Decay time	0.5 ms
Function test	-
Interference suppression	-
Max. switching distance	4000 mm
No-load current	20 mA
Number of pins	4
Operating voltage	10 V ... 35 V
Rated switching current	200 mA
Rated switching distance	4000 mm
Reaction time	0.5 ms
Readiness delay	50 ms
Residual ripple	20 %
Response time	0.5 ms
Reverse polarity protection	+
Scanning function	Light-/dark-on mode
Setting procedure	Manual adjustment
Short-circuit protection	+
Switching frequency	1500 Hz

ELECTRICAL FEATURES

Type of electrical connection	Rotatable M12-connector
Type of input voltage	DC
Type of switching function	Normally closed contact/normally open contact
Type of switching output	PNP
Voltage drop	2 V
Voltage type	DC
With LED display	-
With polarizing filter	+
With time function	-

OPTICAL FEATURES

Light source	Polarized red light
Wavelength of the sensor	680 nm
Light beam form	Point
For transparent objects	-

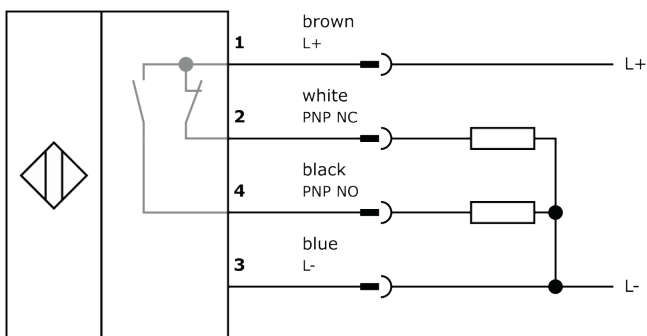
Other

Packaging dimensions	180mm x 15.0mm x 210mm
Shipping weight	0.05kg
Tariff code	85365019

Classification

ipf product group	100
eClass 8.0	27270902
eClass 9.0	27270902
eClass 9.1	27270902
ETIM-5.0	EC002717
ETIM-6.0	EC002717
ETIM-7.0	EC002717

Connection



Dimensional drawing

Installation



Mounting / installation may only be carried out by a qualified electrician!

Disposal



Safety warnings

Before initial operation, please make sure to follow all safety instructions that may be provided in the product information.

Never use these devices in applications where the safety of a person depends on their functionality.

LED lighting systems can generate intensive UV radiation, which can damage your eyes in case of improper use. The manufacturer cannot be held responsible for damages that result from improper use or connection.

X-ON Electronics

Largest Supplier of Electrical and Electronic Components

Click to view similar products for [Photoelectric Sensors](#) category:

Click to view products by [IPF ELECTRONIC](#) manufacturer:

Other Similar products are found below :

[7442AD2X5FRX](#) [EX-19B-LP](#) [7443AR0X5FRX](#) [7452AD4D4NNX](#) [F3WD052C5M](#) [7655AR-04-F-1-2-RX](#) [7694ADE04DS2X](#) [FE7C-FRC6S-M](#) [PM-R24-R](#) [Q45VR2FPQ](#) [E3JUXM4MN](#) [E3S3LE21](#) [E3SCT11M1J03M](#) [E3VDS70C43S](#) [E3XNM16](#) [BR23P](#) [HOA6563-001](#) [OJ-3307-30N8](#) [OS-311A-30](#) [P34036](#) [P60001](#) [PB10CNT15PO](#) [S14132](#) [S52101](#) [S56258](#) [SH-21E](#) [SH-32R](#) [FD-SN500](#) [SU-79](#) [T36342](#) [T40300](#) [T60001](#) [PD60CNX20BP](#) [FX-302-HY](#) [PX-22](#) [PZ2-51P](#) [CYNUTX10](#) [UZB802](#) [UZB803](#) [UZFRG1](#) [UZFRG4](#) [UZFRT4](#) [UZFTT8](#) [ZX-XC4A4M](#) [E3D-R3Y1](#) [E3E23Y2US](#) [E3E-R1Y2](#) [E3SDS20E1](#) [E3TFD14N](#) [E3XR-CC4](#)