

OR255800

OPTICAL SENSORS • RETRO-REFLECTIVE SENSORS

sensor optical, reflective, 88x63x24mm, Infrared light, Point, Manual adjustment, Sn: 8000, 12-265V AC, Relay contact Change-over contact (NO/NC), Clamp 5pin, IP65, PA 6 (synthetic)+Plastic



MECHANICAL FEATURES

Ambient temperature	-20 °C ... 70 °C
Degree of protection (IP)	IP65
Design	Cuboid
Housing material	PA 6 (synthetic)
Increased ambient temperatures >70°C	+
Material of optical surface	Plastic
Reflector included in the scope of delivery	-
Sensor height	88 mm
Sensor length	63 mm
Sensor width	24 mm
Volume	Large

ELECTRICAL FEATURES

Alarm output	-
Function test	-
Interference suppression	-
Max. switching distance	8000 mm
No-load current	35 mA
Number of pins	5
Operating voltage	12 V ... 265 V
Rated control supply voltage U_s at AC 50HZ	12 V ... 265 V
Rated switching current	3000 mA
Rated switching distance	8000 mm
Readiness delay	60 ms
Relative repeat accuracy	80 mm
Reverse polarity protection	+
Scanning function	Light-/dark-on mode
Setting procedure	Manual adjustment
Short-circuit protection	-
Switching frequency	50 Hz
Turn-off delay	8 s
Turn-on delay	10 s
Type of electrical connection	Clamp

ELECTRICAL FEATURES

Type of input voltage	AC/DC
Type of switching function	Change-over contact (NO/NC)
Type of switching output	Relay contact
Voltage type	AC/DC
With LED display	+
With polarizing filter	-
With time function	+

OPTICAL FEATURES

Light source	Infrared light
Wavelength of the sensor	880 nm
Light beam form	Point
For transparent objects	-

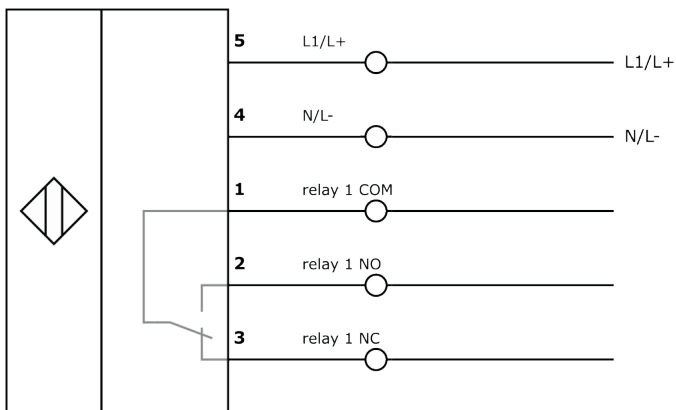
Other

Packaging dimensions	77.0mm x 25.0mm x 123.0mm
Shipping weight	0.13kg
Tariff code	85365080

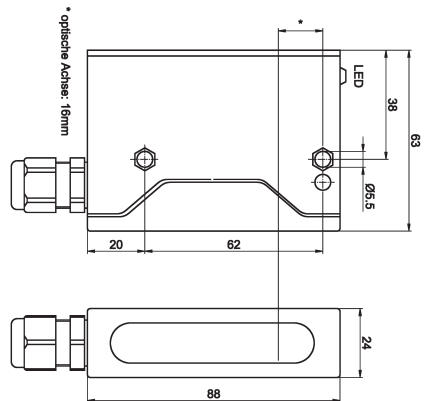
Classification

ipf product group	100
eClass 8.0	27270902
eClass 9.0	27270902
eClass 9.1	27270902
ETIM-5.0	EC002717
ETIM-6.0	EC002717
ETIM-7.0	EC002717

Connection



Dimensional drawing



Installation



Mounting / installation may only be carried out by a qualified electrician!

Disposal



Safety warnings

Before initial operation, please make sure to follow all safety instructions that may be provided in the product information. Never use these devices in applications where the safety of a person depends on their functionality. LED lighting systems can generate intensive UV radiation, which can damage your eyes in case of improper use. The manufacturer cannot be held responsible for damages that result from improper use or connection.

X-ON Electronics

Largest Supplier of Electrical and Electronic Components

Click to view similar products for [Photoelectric Sensors](#) category:

Click to view products by [IPF ELECTRONIC](#) manufacturer:

Other Similar products are found below :

[7442AD2X5FRX](#) [EX-19B-LP](#) [7443AR0X5FRX](#) [7452AD4D4NNX](#) [F3WD052C5M](#) [7655AR-04-F-1-2-RX](#) [7694ADE04DS2X](#) [FE7C-FRC6S-M](#) [PM-R24-R](#) [Q45VR2FPQ](#) [E3JUXM4MN](#) [E3S3LE21](#) [E3SCT11M1J03M](#) [E3VDS70C43S](#) [E3XNM16](#) [BR23P](#) [HOA6563-001](#) [OJ-3307-30N8](#) [OS-311A-30](#) [P34036](#) [P60001](#) [PB10CNT15PO](#) [S14132](#) [S52101](#) [S56258](#) [SH-21E](#) [SH-32R](#) [FD-SN500](#) [SU-79](#) [T36342](#) [T40300](#) [T60001](#) [PD60CNX20BP](#) [FX-302-HY](#) [PX-22](#) [PZ2-51P](#) [CYNUTX10](#) [UZB802](#) [UZB803](#) [UZFRG1](#) [UZFRG4](#) [UZFRT4](#) [UZFTT8](#) [ZX-XC4A4M](#) [E3D-R3Y1](#) [E3E23Y2US](#) [E3E-R1Y2](#) [E3SDS20E1](#) [E3TFD14N](#) [E3XR-CC4](#)