

OR285906

OPTICAL SENSORS • RETRO-REFLECTIVE SENSORS

sensor optical, reflective, 85x70x28mm, Polarized red light, Point, Manual adjustment, Sn: 20000, 24-240V AC, -40°C, Relay contact Change-over contact (NO/NC), Clamp 6pin, IP67, PBT+Glass, With polarizing filter



MECHANICAL FEATURES

Ambient temperature	-40 °C ... 55 °C
Degree of protection (IP)	IP67
Design	Cuboid
Housing material	PBT
Increased ambient temperatures >70°C	+
Material of optical surface	Glass
Reflector included in the scope of delivery	-
Sensor height	85 mm
Sensor length	70 mm
Sensor width	28 mm
Storage temperature	-40 °C ... 70 °C
Volume	Large

ELECTRICAL FEATURES

Alarm output	-
Decay time	20 ms
Function test	-
Interference suppression	-
Max. switching distance	20000 mm
Number of pins	6
Operating voltage	24 V ... 240 V
Rated control supply voltage U_s at AC 50HZ	24 V ... 240 V
Rated switching current	3000 mA
Rated switching distance	20000 mm
Residual ripple	10 %
Response time	20 ms
Reverse polarity protection	+
Scanning function	Light-/dark-on mode
Setting procedure	Manual adjustment
Short-circuit protection	-
Switching frequency	25 Hz
Turn-off delay	10 s
Turn-on delay	10 s

ELECTRICAL FEATURES

Type of electrical connection	Clamp
Type of input voltage	AC/DC
Type of switching function	Change-over contact (NO/NC)
Type of switching output	Relay contact
Voltage type	AC/DC
With LED display	+
With polarizing filter	+
With time function	+

OPTICAL FEATURES

Light source	Polarized red light
Wavelength of the sensor	660 nm
Light beam form	Point
For transparent objects	-

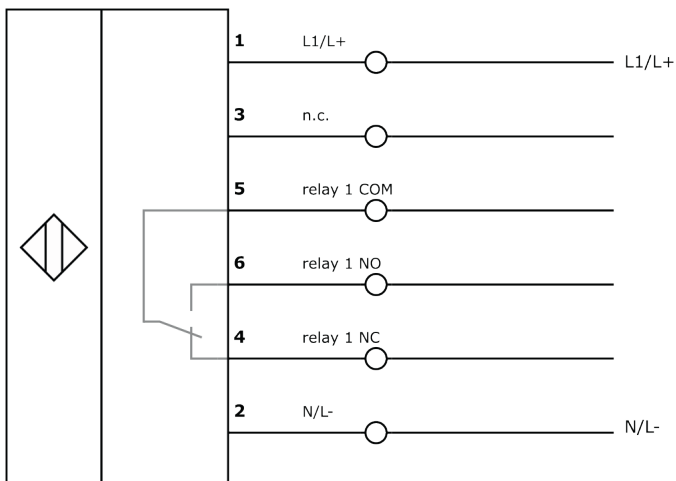
Other

Packaging dimensions	90mm x 55.0mm x 120mm
Shipping weight	0.21kg
Tariff code	85365080

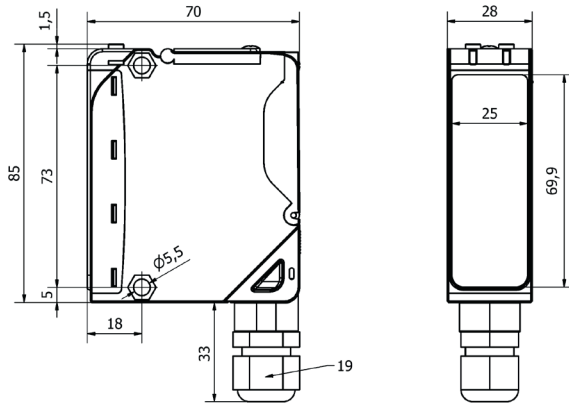
Classification

ipf product group	100
eClass 8.0	27270902
eClass 9.0	27270902
eClass 9.1	27270902
ETIM-5.0	EC002717
ETIM-6.0	EC002717
ETIM-7.0	EC002717

Connection



Dimensional drawing



Installation



Mounting / installation may only be carried out by a qualified electrician!

Disposal



Safety warnings

Before initial operation, please make sure to follow all safety instructions that may be provided in the product information. Never use these devices in applications where the safety of a person depends on their functionality. LED lighting systems can generate intensive UV radiation, which can damage your eyes in case of improper use. The manufacturer cannot be held responsible for damages that result from improper use or connection.

X-ON Electronics

Largest Supplier of Electrical and Electronic Components

Click to view similar products for [Photoelectric Sensors](#) category:

Click to view products by [IPF ELECTRONIC](#) manufacturer:

Other Similar products are found below :

[7442AD2X5FRX](#) [EX-19B-LP](#) [7443AR0X5FRX](#) [7452AD4D4NNX](#) [F3WD052C5M](#) [7655AR-04-F-1-2-RX](#) [7694ADE04DS2X](#) [FE7C-FRC6S-M](#) [PM-R24-R](#) [Q45VR2FPQ](#) [E3JUXM4MN](#) [E3S3LE21](#) [E3SCT11M1J03M](#) [E3VDS70C43S](#) [E3XNM16](#) [BR23P](#) [HOA6563-001](#) [OJ-3307-30N8](#) [OS-311A-30](#) [P34036](#) [P60001](#) [PB10CNT15PO](#) [S14132](#) [S52101](#) [S56258](#) [SH-21E](#) [SH-32R](#) [FD-SN500](#) [SU-79](#) [T36342](#) [T40300](#) [T60001](#) [PD60CNX20BP](#) [FX-302-HY](#) [PX-22](#) [PZ2-51P](#) [CYNUTX10](#) [UZB802](#) [UZB803](#) [UZFRG1](#) [UZFRG4](#) [UZFRT4](#) [UZFTT8](#) [ZX-XC4A4M](#) [E3D-R3Y1](#) [E3E23Y2US](#) [E3E-R1Y2](#) [E3SDS20E1](#) [E3TFD14N](#) [E3XR-CC4](#)