

## OR98E152

### OPTICAL SENSORS • RETRO-REFLECTIVE SENSORS

sensor optical, reflective, 74x56x24mm, Polarized red light, Point, Manual adjustment, Sn: 10-15000, 10-30V DC, PNP Programmable/configurable, Rotatable M12-connector 4pin, IP67, Plastic ABS+PMMA, With polarizing filter



#### MECHANICAL FEATURES

|   |                  |
|---|------------------|
| Ambient temperature                         | -25 °C ... 55 °C |
| Degree of protection (IP)                   | IP67             |
| Design                                      | Cuboid           |
| Housing material                            | Plastic ABS      |
| Increased ambient temperatures >70°C        | -                |
| Material of optical surface                 | PMMA             |
| Reflector included in the scope of delivery | -                |
| Sensor height                               | 74.5 mm          |
| Sensor length                               | 55.8 mm          |
| Sensor width                                | 23.5 mm          |
| Shock resistance                            | 30 g             |
| Storage temperature                         | -40 °C ... 70 °C |
| Vibration resistance                        | 55 Hz            |
| Volume                                      | Medium           |

#### ELECTRICAL FEATURES

|                             |                     |
|-----------------------------|---------------------|
| Alarm output                | -                   |
| Decay time                  | 0.5 ms              |
| Function test               | -                   |
| Interference suppression    | -                   |
| Max. switching distance     | 15000 mm            |
| No-load current             | 20 mA               |
| Number of pins              | 4                   |
| Operating voltage           | 10 V ... 30 V       |
| Rated switching current     | 100 mA              |
| Rated switching distance    | 13000 mm            |
| Reaction time               | 0.5 ms              |
| Residual ripple             | 10 %                |
| Response time               | 0.5 ms              |
| Reverse polarity protection | +                   |
| Scanning function           | Light-/dark-on mode |
| Setting procedure           | Manual adjustment   |
| Short-circuit protection    | +                   |

## ELECTRICAL FEATURES

|                               |                           |
|-------------------------------|---------------------------|
| Suitable for safety functions | -                         |
| Switching frequency           | 1000 Hz                   |
| Type of electrical connection | Rotatable M12-connector   |
| Type of input voltage         | DC                        |
| Type of switching function    | Programmable/configurable |
| Type of switching output      | PNP                       |
| Voltage drop                  | 2 V                       |
| Voltage type                  | DC                        |
| With LED display              | +                         |
| With polarizing filter        | +                         |
| With time function            | -                         |

## OPTICAL FEATURES

|                         |                     |
|-------------------------|---------------------|
| Light source            | Polarized red light |
| Min. reflector distance | 10 mm               |
| Light beam form         | Point               |
| For transparent objects | -                   |

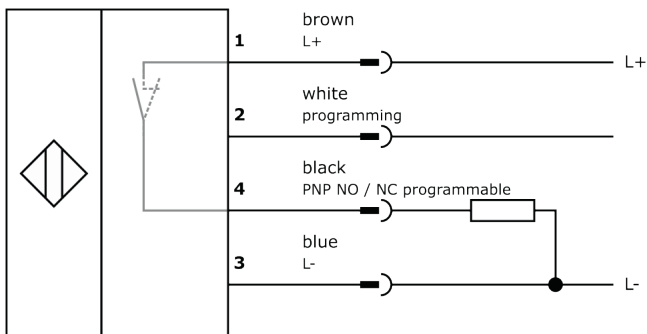
## Other

|                      |                       |
|----------------------|-----------------------|
| Packaging dimensions | 70mm x 40mm x 125.0mm |
| Shipping weight      | 0.19kg                |
| Tariff code          | 85365019              |

## Classification

|                   |          |
|-------------------|----------|
| ipf product group | 700      |
| eClass 8.0        | 27270902 |
| eClass 9.0        | 27270902 |
| eClass 9.1        | 27270902 |
| ETIM-5.0          | EC002717 |
| ETIM-6.0          | EC002717 |
| ETIM-7.0          | EC002717 |

## Connection



## Dimensional drawing

## Installation



Mounting / installation may only be carried out by a qualified electrician!

## Disposal



**Safety warnings**

Before initial operation, please make sure to follow all safety instructions that may be provided in the product information.

Never use these devices in applications where the safety of a person depends on their functionality.

LED lighting systems can generate intensive UV radiation, which can damage your eyes in case of improper use. The manufacturer cannot be held responsible for damages that result from improper use or connection.

## X-ON Electronics

Largest Supplier of Electrical and Electronic Components

*Click to view similar products for [Photoelectric Sensors](#) category:*

*Click to view products by [IPF ELECTRONIC](#) manufacturer:*

Other Similar products are found below :

[7442AD2X5FRX](#) [EX-19B-LP](#) [7443AR0X5FRX](#) [7452AD4D4NNX](#) [F3WD052C5M](#) [7655AR-04-F-1-2-RX](#) [7694ADE04DS2X](#) [FE7C-FRC6S-M](#) [PM-R24-R](#) [Q45VR2FPQ](#) [E3JUXM4MN](#) [E3S3LE21](#) [E3SCT11M1J03M](#) [E3VDS70C43S](#) [E3XNM16](#) [BR23P](#) [HOA6563-001](#) [OJ-3307-30N8](#) [OS-311A-30](#) [P34036](#) [P60001](#) [PB10CNT15PO](#) [S14132](#) [S52101](#) [S56258](#) [SH-21E](#) [SH-32R](#) [FD-SN500](#) [SU-79](#) [T36342](#) [T40300](#) [T60001](#) [PD60CNX20BP](#) [FX-302-HY](#) [PX-22](#) [PZ2-51P](#) [CYNUTX10](#) [UZB802](#) [UZB803](#) [UZFRG1](#) [UZFRG4](#) [UZFRT4](#) [UZFTT8](#) [ZX-XC4A4M](#) [E3D-R3Y1](#) [E3E23Y2US](#) [E3E-R1Y2](#) [E3SDS20E1](#) [E3TFD14N](#) [E3XR-CC4](#)