

ORQ80571

OPTICAL SENSORS • RETRO-REFLECTIVE SENSORS

sensor optical, reflective, 25x16x8mm, Polarized red light, Point, Teach-In, Sn: 3000, 10-30V DC, PNP/NPN NC/NO, IO-Link, Cable connector M8 4pin 0.2m PVC, IP67, Plastic ASA+PMMA, With polarizing filter



MECHANICAL FEATURES

Ambient temperature	-25 °C ... 50 °C
Cable length	0.2 m
Degree of protection (IP)	IP67
Design	Cuboid
Housing material	Plastic ASA
Material of cable sheath	PVC
Material of optical surface	PMMA
Sensor height	25.1 mm
Sensor length	15.8 mm
Sensor width	8 mm
Storage temperature	-25 °C ... 50 °C
Volume	Small
Wire cross section	0.08 mm ²

ELECTRICAL FEATURES

Alarm output	-
Decay time	0.25 ms
Function test	-
Interference suppression	+
IO-Link compatible	+
Max. switching distance	3000 mm
No-load current	40 mA
Number of pins	4
Operating voltage	10 V ... 30 V
Rated switching current	50 mA
Response time	0.25 ms
Reverse polarity protection	+
Scanning function	Light-/dark-on mode
Setting procedure	Teach-In
Short-circuit protection	+
Switching frequency	2000 Hz
Type of electrical connection	Cable connector M8
Type of input voltage	DC

ELECTRICAL FEATURES

Type of switching function	Normally closed contact/normally open contact
Type of switching output	PNP/NPN
Voltage drop	2 V
Voltage type	DC
With LED display	+
With polarizing filter	+
With time function	-

OPTICAL FEATURES

Light source	Polarized red light
Wavelength of the sensor	644 nm
Light beam form	Point
For transparent objects	-
Small light beam diameter	+

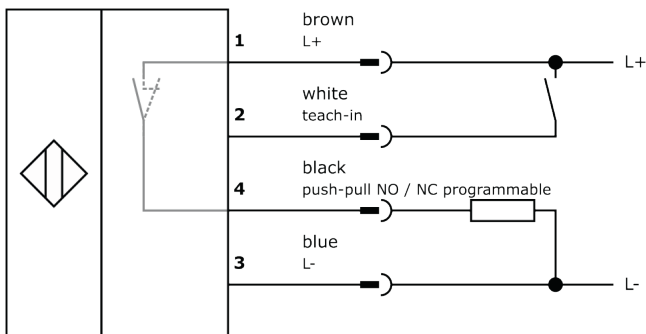
Other

Packaging dimensions	75.0mm x 17.0mm x 95.0mm
Shipping weight	0.02kg
Tariff code	85365019

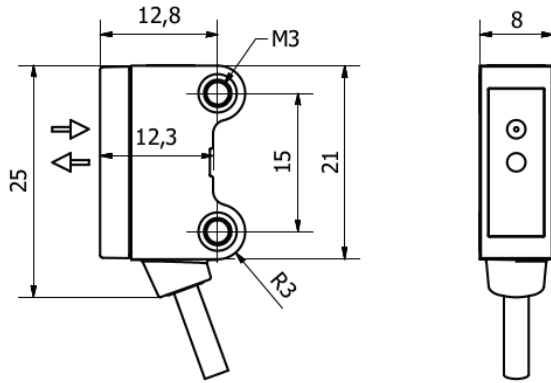
Classification

ipf product group	100
eClass 8.0	27270902
eClass 9.0	27270902
eClass 9.1	27270902
ETIM-5.0	EC002717
ETIM-6.0	EC002717
ETIM-7.0	EC002717

Connection



Dimensional drawing



Installation



Mounting / installation may only be carried out by a qualified electrician!

Disposal



Software

Any software, drivers or IODD files that may be required to operate your device can be downloaded free of charge from our homepage: www.ipf-electronic.com

Safety warnings

Before initial operation, please make sure to follow all safety instructions that may be provided in the product information. Never use these devices in applications where the safety of a person depends on their functionality.

LED lighting systems can generate intensive UV radiation, which can damage your eyes in case of improper use. The manufacturer cannot be held responsible for damages that result from improper use or connection.

X-ON Electronics

Largest Supplier of Electrical and Electronic Components

Click to view similar products for [Photoelectric Sensors](#) category:

Click to view products by [IPF ELECTRONIC](#) manufacturer:

Other Similar products are found below :

[7442AD2X5FRX](#) [EX-19B-LP](#) [7443AR0X5FRX](#) [7452AD4D4NNX](#) [F3WD052C5M](#) [7655AR-04-F-1-2-RX](#) [7694ADE04DS2X](#) [FE7C-FRC6S-M](#) [PM-R24-R](#) [Q45VR2FPQ](#) [E3JUXM4MN](#) [E3S3LE21](#) [E3SCT11M1J03M](#) [E3VDS70C43S](#) [E3XNM16](#) [BR23P](#) [HOA6563-001](#) [OJ-3307-30N8](#) [OS-311A-30](#) [P34036](#) [P60001](#) [PB10CNT15PO](#) [S14132](#) [S52101](#) [S56258](#) [SH-21E](#) [SH-32R](#) [FD-SN500](#) [SU-79](#) [T36342](#) [T40300](#) [T60001](#) [PD60CNX20BP](#) [FX-302-HY](#) [PX-22](#) [PZ2-51P](#) [CYNUTX10](#) [UZB802](#) [UZB803](#) [UZFRG1](#) [UZFRG4](#) [UZFRT4](#) [UZFTT8](#) [ZX-XC4A4M](#) [E3D-R3Y1](#) [E3E23Y2US](#) [E3E-R1Y2](#) [E3SDS20E1](#) [E3TFD14N](#) [E3XR-CC4](#)