

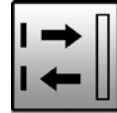
## OT08E185

Optical sensors  
Diffuse reflection sensors



- / stainless steel housing
- / degree of protection IP67
- / small light spot
- / low current consumption

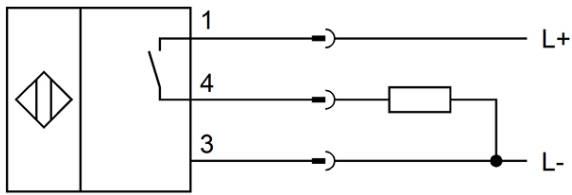
visible red light  
thread M8x1



### TECHNICAL DATA

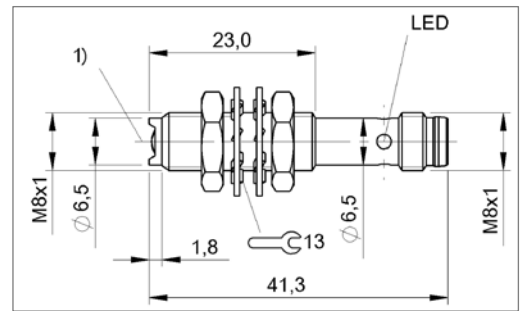
sensing range	1 ... 60mm
output signal	pnp, no
operating voltage	10 ... 30V DC
current consumption (w/o load)	≤ 15mA
output current (max. load)	100mA
voltage drop (max. load)	0.7V
power on delay	20ms
transmitting element	LED, red light
wavelength	645nm
sampling frequency	500Hz
turn on- / turn off delay	1ms
display (signal)	LED yellow
display (stability)	LED yellow flashing
short-circuit protection	+
Reverse polarity protection	+
design	M8x1
length (thread / total)	21.3mm / 41.3mm
housing material	stainless steel 1.4305
lens material	PMMA
operating temperature	-5 ... +55°C
degree of protection (EN 60529)	IP67
connection	M8-connector, 3-pin
connection accessories	e.g. <b>VK200075</b>
mounting accessories (universal holder)	<b>AY000115</b>

## Connection



**Colors:** 1 = BN (brown), 3 = BU (blue), 4 = BK (black)  
**Functions:** 1 = L+, 3 = L-, 4 = PNP NO

## Dimensional drawing



1) Optical axis

## SAFETY WARNINGS:



Exempt group according to IEC 62471:2008

**DO NOT STARE INTO THE LIGHT BEAM! Danger of glare and irritation!**

The sensor must be installed so, that no direct looking into the light source is possible even during operation.

Before initial operation, please make sure to follow all safety instructions that may be provided in the product information!

Never use these articles in applications where the safety of a person depends on their functionality.

## X-ON Electronics

Largest Supplier of Electrical and Electronic Components

*Click to view similar products for [Photoelectric Sensors](#) category:*

*Click to view products by [IPF ELECTRONIC](#) manufacturer:*

Other Similar products are found below :

[7442AD2X5FRX](#) [EX-19B-LP](#) [7443AR0X5FRX](#) [7452AD4D4NNX](#) [F3WD052C5M](#) [7655AR-04-F-1-2-RX](#) [7694ADE04DS2X](#) [FE7C-FRC6S-M](#) [PM-R24-R](#) [Q45VR2FPQ](#) [E3JUXM4MN](#) [E3S3LE21](#) [E3SCT11M1J03M](#) [E3VDS70C43S](#) [E3XNM16](#) [BR23P](#) [HOA6563-001](#) [OJ-3307-30N8](#) [OS-311A-30](#) [P34036](#) [P60001](#) [PB10CNT15PO](#) [S14132](#) [S52101](#) [S56258](#) [SH-21E](#) [SH-32R](#) [FD-SN500](#) [SU-79](#) [T36342](#) [T40300](#) [T60001](#) [PD60CNX20BP](#) [FX-302-HY](#) [PX-22](#) [PZ2-51P](#) [CYNUTX10](#) [UZB802](#) [UZB803](#) [UZFRG1](#) [UZFRG4](#) [UZFRT4](#) [UZFTT8](#) [ZX-XC4A4M](#) [E3D-R3Y1](#) [E3E23Y2US](#) [E3E-R1Y2](#) [E3SDS20E1](#) [E3TFD14N](#) [E3XR-CC4](#)