

OT110170

OPTICAL SENSORS • DIFFUSE REFLECTION SENSORS WITH INTENSITY DIFFERENTIATION

sensor optical, diffuse-reflection sensor, 67x12x8mm, Sn: 40, 10-30V DC, 1x PNP NO (NO), Connector M8 3pin, IP65, Aluminum Anodized+Plastic PC, 0.5kHz, Infrared light, Point



MECHANICAL FEATURES

Ambient temperature	-25 °C ... 65 °C
Degree of protection (IP)	IP65
Design	Cuboid
Housing coating	Anodized
Housing material	Aluminum
Material of optical surface	Plastic PC
Reflector included in the scope of delivery	-
Sensor height	67 mm
Sensor length	12 mm
Sensor width	8 mm
Volume	Small
With interchangeable lens	-

ELECTRICAL FEATURES

Alarm output	-
Decay time	1 ms
Equipment protection class	Protection class 3
High repeat accuracy	-
Interference suppression	+
Max. switching distance	40 mm
No-load current	42 mA
Number of pins	3
Number of switching outputs	1
Operating voltage	10 V ... 30 V
Pre-failure message	-
Rated switching current	100 mA
Response time	1 ms
Reverse polarity protection	+
Scanning function	Light switching
Sensing range	40 mm ... 40 mm
Short-circuit protection	+
Suitable for safety functions	-
Switching frequency	500 Hz

ELECTRICAL FEATURES

Type of electrical connection	Connector M8
Type of switching function	Normally open contact (NO)
Type of switching output	PNP
Voltage drop	2 V
Voltage type	DC
With communication interface, RS-232	-
With LED display	+
With monitoring function of downstream devices	-
With other analog output	-
With restart lock	-
With time function	-

OPTICAL FEATURES

Light source	Infrared light
Wavelength of the sensor	880 nm
Light exit	Axial
Light beam form	Point
Small light beam diameter	-
Line scanner	-

OTHER FEATURES

Feeding technology	+
For gloss queries	-
Is line scan camera	-

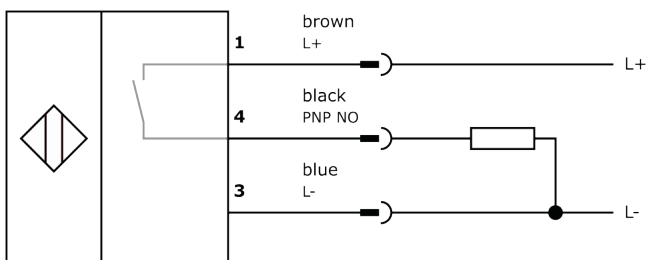
Other

Packaging dimensions	75.0mm x 17.0mm x 95.0mm
Shipping weight	0.02kg
Tariff code	85365019

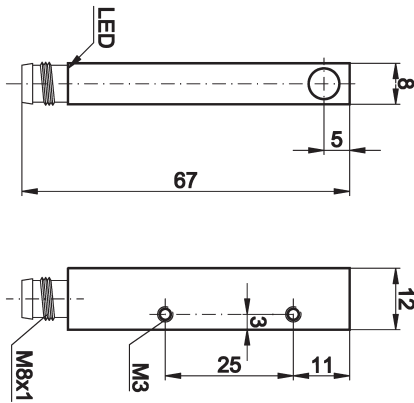
Classification

ipf product group	100
eClass 8.0	27270903
eClass 9.0	27270903
eClass 9.1	27270903
ETIM-5.0	EC001821
ETIM-6.0	EC001821
ETIM-7.0	EC001821

Connection



Dimensional drawing



Installation



Mounting / installation may only be carried out by a qualified electrician!

Disposal



Safety warnings

Before initial operation, please make sure to follow all safety instructions that may be provided in the product information. Never use these devices in applications where the safety of a person depends on their functionality. LED lighting systems can generate intensive UV radiation, which can damage your eyes in case of improper use. The manufacturer cannot be held responsible for damages that result from improper use or connection.

X-ON Electronics

Largest Supplier of Electrical and Electronic Components

Click to view similar products for [Photoelectric Sensors](#) category:

Click to view products by [IPF ELECTRONIC](#) manufacturer:

Other Similar products are found below :

[7442AD2X5FRX](#) [EX-19B-LP](#) [7443AR0X5FRX](#) [7452AD4D4NNX](#) [F3WD052C5M](#) [7655AR-04-F-1-2-RX](#) [7694ADE04DS2X](#) [FE7C-FRC6S-M](#) [PM-R24-R](#) [Q45VR2FPQ](#) [E3JUXM4MN](#) [E3S3LE21](#) [E3SCT11M1J03M](#) [E3VDS70C43S](#) [E3XNM16](#) [BR23P](#) [HOA6563-001](#) [OJ-3307-30N8](#) [OS-311A-30](#) [P34036](#) [P60001](#) [PB10CNT15PO](#) [S14132](#) [S52101](#) [S56258](#) [SH-21E](#) [SH-32R](#) [FD-SN500](#) [SU-79](#) [T36342](#) [T40300](#) [T60001](#) [PD60CNX20BP](#) [FX-302-HY](#) [PX-22](#) [PZ2-51P](#) [CYNUTX10](#) [UZB802](#) [UZB803](#) [UZFRG1](#) [UZFRG4](#) [UZFRT4](#) [UZFTT8](#) [ZX-XC4A4M](#) [E3D-R3Y1](#) [E3E23Y2US](#) [E3E-R1Y2](#) [E3SDS20E1](#) [E3TFD14N](#) [E3XR-CC4](#)