

## OT12A401

### OPTICAL SENSORS • DIFFUSE REFLECTION SENSORS WITH INTENSITY DIFFERENTIATION

sensor optical, diffuse-reflection sensor, M12x1 85long, Sn: 1-400, 10-36V DC, PNP Anticoincidence, Connector M12 4pin, IP65, Brass+PMMA, 0.32kHz, Infrared light, Point



#### MECHANICAL FEATURES

Ambient temperature	-25 °C ... 60 °C
Degree of protection (IP)	IP65
Design	Cylinder, screw-thread
Housing material	Brass
Material of optical surface	PMMA
Reflector included in the scope of delivery	-
Sensor length	85 mm
Thread pitch	1 mm
Thread size, metric	12
With interchangeable lens	-

#### ELECTRICAL FEATURES

Alarm output	-
Equipment protection class	Protection class 3
High repeat accuracy	-
Interference suppression	-
Max. switching distance	400 mm
No-load current	35 mA
Number of pins	4
Operating voltage	10 V ... 36 V
Pre-failure message	-
Rated switching current	200 mA
Reverse polarity protection	+
Scanning function	Light-/dark-on mode
Sensing range	1 mm ... 400 mm
Short-circuit protection	+
Suitable for safety functions	-
Switching frequency	320 Hz
Type of electrical connection	Connector M12
Type of switching function	Anticoincidence
Type of switching output	PNP
Voltage type	DC
With communication interface, RS-232	-

## ELECTRICAL FEATURES

With LED display	+
With monitoring function of downstream devices	-
With other analog output	-
With restart lock	-
With time function	-

## OPTICAL FEATURES

Light source	Infrared light
Wavelength of the sensor	880 nm
Light exit	Axial
Light beam form	Point
Small light beam diameter	-
Line scanner	-

## OTHER FEATURES

Feeding technology	+
For gloss queries	-
Is line scan camera	-

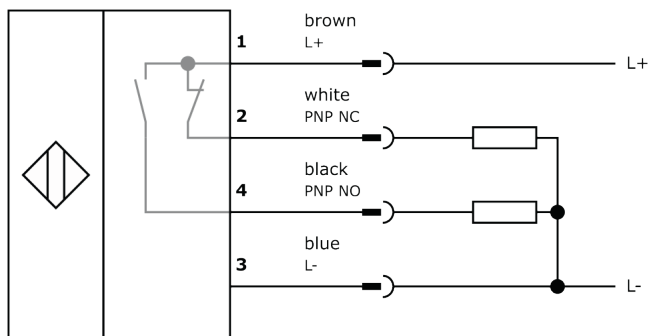
## Other

Packaging dimensions	77.0mm x 25.0mm x 123.0mm
Shipping weight	0.05kg
Tariff code	85365019

## Classification

ipf product group	700
eClass 8.0	27270903
eClass 9.0	27270903
eClass 9.1	27270903
ETIM-5.0	EC001821
ETIM-6.0	EC001821
ETIM-7.0	EC001821

## Connection



## Dimensional drawing

## Installation



Mounting / installation may only be carried out by a qualified electrician!

## Disposal



**Safety warnings**

Before initial operation, please make sure to follow all safety instructions that may be provided in the product information.

Never use these devices in applications where the safety of a person depends on their functionality.

LED lighting systems can generate intensive UV radiation, which can damage your eyes in case of improper use. The manufacturer cannot be held responsible for damages that result from improper use or connection.

## X-ON Electronics

Largest Supplier of Electrical and Electronic Components

*Click to view similar products for [Photoelectric Sensors](#) category:*

*Click to view products by [IPF ELECTRONIC](#) manufacturer:*

Other Similar products are found below :

[7442AD2X5FRX](#) [EX-19B-LP](#) [7443AR0X5FRX](#) [7452AD4D4NNX](#) [F3WD052C5M](#) [7655AR-04-F-1-2-RX](#) [7694ADE04DS2X](#) [FE7C-FRC6S-M](#) [PM-R24-R](#) [Q45VR2FPQ](#) [E3JUXM4MN](#) [E3S3LE21](#) [E3SCT11M1J03M](#) [E3VDS70C43S](#) [E3XNM16](#) [BR23P](#) [HOA6563-001](#) [OJ-3307-30N8](#) [OS-311A-30](#) [P34036](#) [P60001](#) [PB10CNT15PO](#) [S14132](#) [S52101](#) [S56258](#) [SH-21E](#) [SH-32R](#) [FD-SN500](#) [SU-79](#) [T36342](#) [T40300](#) [T60001](#) [PD60CNX20BP](#) [FX-302-HY](#) [PX-22](#) [PZ2-51P](#) [CYNUTX10](#) [UZB802](#) [UZB803](#) [UZFRG1](#) [UZFRG4](#) [UZFRT4](#) [UZFTT8](#) [ZX-XC4A4M](#) [E3D-R3Y1](#) [E3E23Y2US](#) [E3E-R1Y2](#) [E3SDS20E1](#) [E3TFD14N](#) [E3XR-CC4](#)