

OT160470

OPTICAL SENSORS • DIFFUSE REFLECTION SENSORS WITH BACKGROUND SUPPRESSION

sensor optical, diffuse-reflection sensor, 35x35x12mm, Sn: 15-300, 10-30V DC, 2x PNP Anticoincidence, Connector M8 4pin, IP67, Zinc die-cast+PMMA, 0.5kHz, Background suppression, Polarity free red light, Point, Manual adjustment



MECHANICAL FEATURES

| | |
|---|------------------|
| Ambient temperature | -25 °C ... 65 °C |
| Degree of protection (IP) | IP67 |
| Design | Cuboid |
| Housing material | Zinc die-cast |
| Material of optical surface | PMMA |
| Reflector included in the scope of delivery | - |
| Sensor height | 35 mm |
| Sensor length | 35 mm |
| Sensor width | 12.4 mm |
| Volume | Small |

ELECTRICAL FEATURES

| | |
|-------------------------------|---------------------|
| Adjustment range | 15 mm ... 300 mm |
| Analog output 0 mA ... 20 mA | - |
| Analog output 0 V ... 10 V | - |
| Analog output -10 V ... +10 V | - |
| Analog output 4 mA ... 20 mA | - |
| Decay time | 1 ms |
| Interference suppression | + |
| Max. switching distance | 300 mm |
| No-load current | 35 mA |
| Number of pins | 4 |
| Number of switching outputs | 2 |
| Operating voltage | 10 V ... 30 V |
| Rated switching current | 100 mA |
| Rated switching distance | 300 mm |
| Response time | 1 ms |
| Reverse polarity protection | + |
| Scanning function | Light-/dark-on mode |
| Sensing range | 15 mm ... 300 mm |
| Setting procedure | Manual adjustment |
| Short-circuit protection | + |
| Switching frequency | 500 Hz |

ELECTRICAL FEATURES

| | |
|-------------------------------|-----------------|
| Type of electrical connection | Connector M8 |
| Type of switching function | Anticoincidence |
| Type of switching output | PNP |
| Voltage drop | 1.8 V |
| Voltage type | DC |
| With LED display | + |
| With LED display (signal) | + |
| With other analog output | - |
| With time function | - |

OPTICAL FEATURES

| | |
|--------------------------|-------------------------|
| Light source | Polarity free red light |
| Wavelength of the sensor | 660 nm |
| Triangulation | Background suppression |
| Light beam form | Point |
| Background suppression | + |

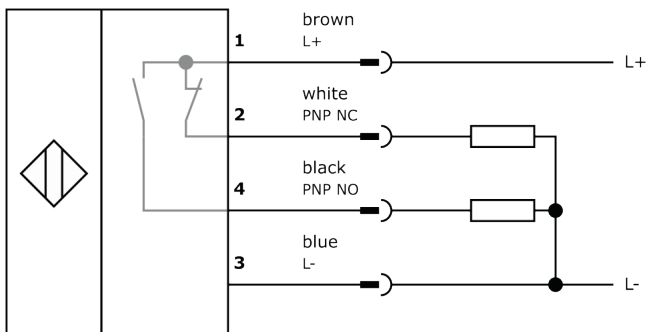
Other

| | |
|----------------------|---------------------------|
| Packaging dimensions | 77.0mm x 25.0mm x 123.0mm |
| Shipping weight | 0.06kg |
| Tariff code | 85365019 |

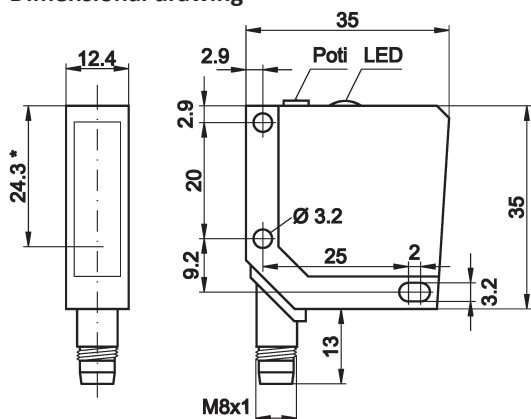
Classification

| | |
|-------------------|----------|
| ipf product group | 100 |
| eClass 8.0 | 27270904 |
| eClass 9.0 | 27270904 |
| eClass 9.1 | 27270904 |
| ETIM-5.0 | EC002719 |
| ETIM-6.0 | EC002719 |
| ETIM-7.0 | EC002719 |

Connection



Dimensional drawing



Installation



Mounting / installation may only be carried out by a qualified electrician!

Disposal



Safety warnings

Before initial operation, please make sure to follow all safety instructions that may be provided in the product information. Never use these devices in applications where the safety of a person depends on their functionality. LED lighting systems can generate intensive UV radiation, which can damage your eyes in case of improper use. The manufacturer cannot be held responsible for damages that result from improper use or connection.

X-ON Electronics

Largest Supplier of Electrical and Electronic Components

Click to view similar products for [Photoelectric Sensors](#) category:

Click to view products by [IPF ELECTRONIC](#) manufacturer:

Other Similar products are found below :

[7442AD2X5FRX](#) [EX-19B-LP](#) [7443AR0X5FRX](#) [7452AD4D4NNX](#) [F3WD052C5M](#) [7655AR-04-F-1-2-RX](#) [7694ADE04DS2X](#) [FE7C-FRC6S-M](#) [PM-R24-R](#) [Q45VR2FPQ](#) [E3JUXM4MN](#) [E3S3LE21](#) [E3SCT11M1J03M](#) [E3VDS70C43S](#) [E3XNM16](#) [BR23P](#) [HOA6563-001](#) [OJ-3307-30N8](#) [OS-311A-30](#) [P34036](#) [P60001](#) [PB10CNT15PO](#) [S14132](#) [S52101](#) [S56258](#) [SH-21E](#) [SH-32R](#) [FD-SN500](#) [SU-79](#) [T36342](#) [T40300](#) [T60001](#) [PD60CNX20BP](#) [FX-302-HY](#) [PX-22](#) [PZ2-51P](#) [CYNUTX10](#) [UZB802](#) [UZB803](#) [UZFRG1](#) [UZFRG4](#) [UZFRT4](#) [UZFTT8](#) [ZX-XC4A4M](#) [E3D-R3Y1](#) [E3E23Y2US](#) [E3E-R1Y2](#) [E3SDS20E1](#) [E3TFD14N](#) [E3XR-CC4](#)