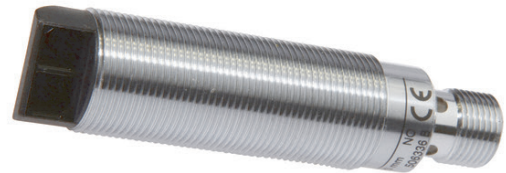


OT180128

OPTICAL SENSORS • DIFFUSE REFLECTION SENSORS WITH BACKGROUND SUPPRESSION

sensor optical, diffuse-reflection sensor, M18x1 75long, Sn: 10-120, 10-35V DC, 1x PNP NO (NO), Connector M12 3pin, IP67, Brass Chrome-plated+Glass, 0.5kHz, Background suppression, Polarity free red light, Point Lateral, Manual adjustment



MECHANICAL FEATURES

Ambient temperature	-25 °C ... 55 °C
Degree of protection (IP)	IP67
Design	Cylinder, screw-thread
Housing coating	Chrome-plated
Housing material	Brass
Material of optical surface	Glass
Max. tightening torque	20 Nm
Reflector included in the scope of delivery	-
Sensor length	75 mm
Thread length	45 mm
Thread pitch	1 mm
Thread size, metric	18

ELECTRICAL FEATURES

Adjustment range	10 mm ... 120 mm
Analog output 0 mA ... 20 mA	-
Analog output 0 V ... 10 V	-
Analog output -10 V ... +10 V	-
Analog output 4 mA ... 20 mA	-
Decay time	1 ms
Hysteresis	10 %
Max. switching distance	120 mm
No-load current	25 mA
Number of pins	3
Number of switching outputs	1
Operating voltage	10 V ... 35 V
Rated switching current	200 mA
Rated switching distance	120 mm
Readiness delay	20 ms
Response time	1 ms
Reverse polarity protection	+
Scanning function	Light switching
Sensing range	10 mm ... 120 mm

ELECTRICAL FEATURES

Setting procedure	Manual adjustment
Short-circuit protection	+
Switching frequency	500 Hz
Type of electrical connection	Connector M12
Type of switching function	Normally open contact (NO)
Type of switching output	PNP
Voltage drop	2 V
Voltage type	DC
With LED display	+
With LED display (reception)	+
With LED display (signal)	+
With other analog output	-
With time function	-

OPTICAL FEATURES

Light source	Polarity free red light
Wavelength of the sensor	660 nm
Light exit	Lateral
Triangulation	Background suppression
Light beam form	Point
Background suppression	+

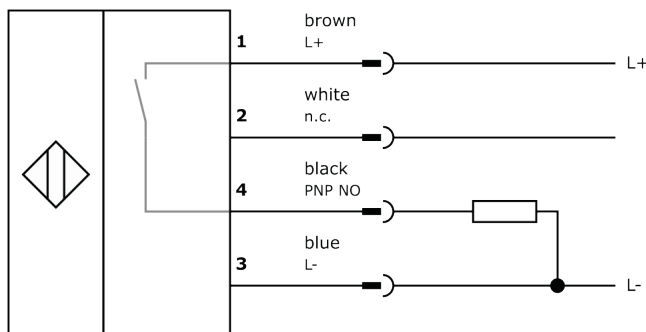
Other

Packaging dimensions	185.0mm x 20mm x 205.0mm
Shipping weight	0.07kg
Tariff code	85365019

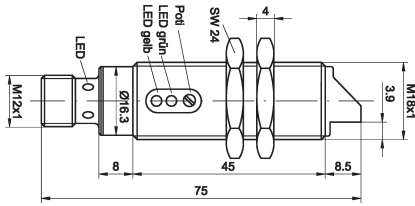
Classification

ipf product group	100
eClass 8.0	27270904
eClass 9.0	27270904
eClass 9.1	27270904
ETIM-5.0	EC002719
ETIM-6.0	EC002719
ETIM-7.0	EC002719

Connection



Dimensional drawing



Installation



Mounting / installation may only be carried out by a qualified electrician!

Disposal



Safety warnings

Before initial operation, please make sure to follow all safety instructions that may be provided in the product information. Never use these devices in applications where the safety of a person depends on their functionality. LED lighting systems can generate intensive UV radiation, which can damage your eyes in case of improper use. The manufacturer cannot be held responsible for damages that result from improper use or connection.

X-ON Electronics

Largest Supplier of Electrical and Electronic Components

Click to view similar products for [Photoelectric Sensors](#) category:

Click to view products by [IPF ELECTRONIC](#) manufacturer:

Other Similar products are found below :

[7442AD2X5FRX](#) [EX-19B-LP](#) [7443AR0X5FRX](#) [7452AD4D4NNX](#) [F3WD052C5M](#) [7655AR-04-F-1-2-RX](#) [7694ADE04DS2X](#) [FE7C-FRC6S-M](#) [PM-R24-R](#) [Q45VR2FPQ](#) [E3JUXM4MN](#) [E3S3LE21](#) [E3SCT11M1J03M](#) [E3VDS70C43S](#) [E3XNM16](#) [BR23P](#) [HOA6563-001](#) [OJ-3307-30N8](#) [OS-311A-30](#) [P34036](#) [P60001](#) [PB10CNT15PO](#) [S14132](#) [S52101](#) [S56258](#) [SH-21E](#) [SH-32R](#) [FD-SN500](#) [SU-79](#) [T36342](#) [T40300](#) [T60001](#) [PD60CNX20BP](#) [FX-302-HY](#) [PX-22](#) [PZ2-51P](#) [CYNUTX10](#) [UZB802](#) [UZB803](#) [UZFRG1](#) [UZFRG4](#) [UZFRT4](#) [UZFTT8](#) [ZX-XC4A4M](#) [E3D-R3Y1](#) [E3E23Y2US](#) [E3E-R1Y2](#) [E3SDS20E1](#) [E3TFD14N](#) [E3XR-CC4](#)