

## OT180528

### OPTICAL SENSORS • DIFFUSE REFLECTION SENSORS WITH BACKGROUND SUPPRESSION

sensor optical, diffuse-reflection sensor, M18x1 62long, Sn: 1-120, 10-30V DC, 1x PNP/NPN Push-pull, Connector M12 4pin, IP67, V4A+-Plastic PC, 1kHz, Foreground suppression / background suppression, Polarity free red light, Point, Manual adjustment



#### MECHANICAL FEATURES

Ambient temperature	-25 °C ... 65 °C
Degree of protection (IP)	IP67
Design	Cylinder, screw-thread
Housing material	Stainless steel 1.4404
Material of optical surface	Plastic PC
Reflector included in the scope of delivery	-
Sensor length	61.5 mm
Storage temperature	-40 °C ... 70 °C
Thread pitch	1 mm
Thread size, metric	18

#### ELECTRICAL FEATURES

Adjustment range	1 mm ... 120 mm
Analog output 0 mA ... 20 mA	-
Analog output 0 V ... 10 V	-
Analog output -10 V ... +10 V	-
Analog output 4 mA ... 20 mA	-
Max. switching distance	120 mm
No-load current	15 mA
Number of pins	4
Number of switching outputs	1
Operating voltage	10 V ... 30 V
Rated switching current	100 mA
Rated switching distance	120 mm
Readiness delay	100 ms
Residual ripple	10 %
Scanning function	Light-/dark-on mode
Sensing range	1 mm ... 120 mm
Setting procedure	Manual adjustment
Switching frequency	1000 Hz
Type of electrical connection	Connector M12
Type of switching function	Push-pull
Type of switching output	PNP/NPN

## ELECTRICAL FEATURES

Voltage drop	2 V
Voltage type	DC
With LED display	+
With LED display (operation)	+
With LED display (signal)	+
With other analog output	-
With time function	-

## OPTICAL FEATURES

Light source	Polarity free red light
Wavelength of the sensor	625 nm
Triangulation	Foreground suppression / background suppression
Light beam form	Point
Background suppression	+

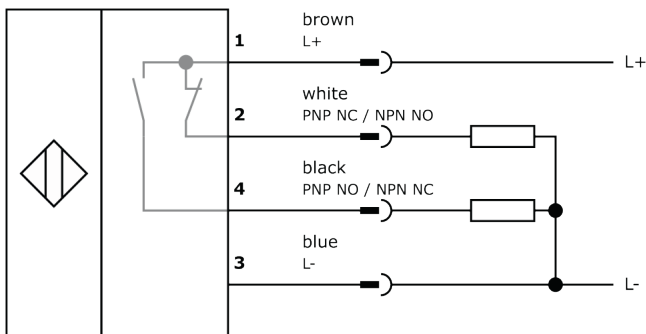
## Other

Packaging dimensions	43.0mm x 43.0mm x 105.0mm
Shipping weight	0.05kg
Tariff code	85365019

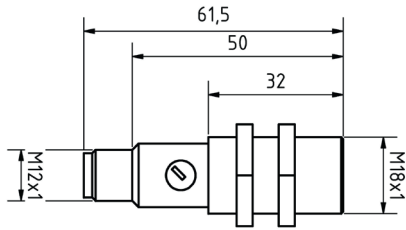
## Classification

ipf product group	100
eClass 8.0	27270904
eClass 9.0	27270904
eClass 9.1	27270904
ETIM-5.0	EC002719
ETIM-6.0	EC002719
ETIM-7.0	EC002719

## Connection



## Dimensional drawing



## Installation



Mounting / installation may only be carried out by a qualified electrician!

## Disposal



## Safety warnings

Before initial operation, please make sure to follow all safety instructions that may be provided in the product information. Never use these devices in applications where the safety of a person depends on their functionality. LED lighting systems can generate intensive UV radiation, which can damage your eyes in case of improper use. The manufacturer cannot be held responsible for damages that result from improper use or connection.

## X-ON Electronics

Largest Supplier of Electrical and Electronic Components

*Click to view similar products for [Photoelectric Sensors](#) category:*

*Click to view products by [IPF ELECTRONIC](#) manufacturer:*

Other Similar products are found below :

[7442AD2X5FRX](#) [EX-19B-LP](#) [7443AR0X5FRX](#) [7452AD4D4NNX](#) [F3WD052C5M](#) [7655AR-04-F-1-2-RX](#) [7694ADE04DS2X](#) [FE7C-FRC6S-M](#) [PM-R24-R](#) [Q45VR2FPQ](#) [E3JUXM4MN](#) [E3S3LE21](#) [E3SCT11M1J03M](#) [E3VDS70C43S](#) [E3XNM16](#) [BR23P](#) [HOA6563-001](#) [OJ-3307-30N8](#) [OS-311A-30](#) [P34036](#) [P60001](#) [PB10CNT15PO](#) [S14132](#) [S52101](#) [S56258](#) [SH-21E](#) [SH-32R](#) [FD-SN500](#) [SU-79](#) [T36342](#) [T40300](#) [T60001](#) [PD60CNX20BP](#) [FX-302-HY](#) [PX-22](#) [PZ2-51P](#) [CYNUTX10](#) [UZB802](#) [UZB803](#) [UZFRG1](#) [UZFRG4](#) [UZFRT4](#) [UZFTT8](#) [ZX-XC4A4M](#) [E3D-R3Y1](#) [E3E23Y2US](#) [E3E-R1Y2](#) [E3SDS20E1](#) [E3TFD14N](#) [E3XR-CC4](#)