

## OT181425

### OPTICAL SENSORS • DIFFUSE REFLECTION SENSORS WITH INTENSITY DIFFERENTIATION

sensor optical, diffuse-reflection sensor, M18x1 64long, Sn: 40-600, 10-35V DC, 2x NPN Anticoincidence, Connector M12 4pin, IP67, Brass Chrome-plated+Glass, 1kHz, Polarity free red light, Point, Manual adjustment



#### MECHANICAL FEATURES

Ambient temperature	-25 °C ... 55 °C
Degree of protection (IP)	IP67
Design	Cylinder, screw-thread
Housing coating	Chrome-plated
Housing material	Brass
Material of optical surface	Glass
Reflector included in the scope of delivery	-
Sensor length	63.5 mm
Thread length	45 mm
Thread pitch	1 mm
Thread size, metric	18
With interchangeable lens	-

#### ELECTRICAL FEATURES

Alarm output	-
Clock frequency of the transmitter	15 kHz
Decay time	0.5 ms
Equipment protection class	Protection class 3
High repeat accuracy	-
Hysteresis	10 %
Interference suppression	-
Max. switching distance	600 mm
No-load current	20 mA
Number of pins	4
Number of switching outputs	2
Operating voltage	10 V ... 35 V
Pre-failure message	-
Rated switching current	200 mA
Readiness delay	60 ms
Response time	0.5 ms
Reverse polarity protection	+
Scanning function	Light-/dark-on mode
Sensing range	40 mm ... 600 mm

**ELECTRICAL FEATURES**

Setting procedure	Manual adjustment
Short-circuit protection	+
Suitable for safety functions	-
Switching frequency	1000 Hz
Type of electrical connection	Connector M12
Type of switching function	Anticoincidence
Type of switching output	NPN
Voltage drop	2 V
Voltage type	DC
With communication interface, RS-232	-
With LED display	+
With monitoring function of downstream devices	-
With other analog output	-
With restart lock	-
With time function	-

**OPTICAL FEATURES**

Light source	Polarity free red light
Wavelength of the sensor	660 nm
Light exit	Axial
Light beam form	Point
Small light beam diameter	-
Line scanner	-

**OTHER FEATURES**

Feeding technology	+
For gloss queries	-
Is line scan camera	-

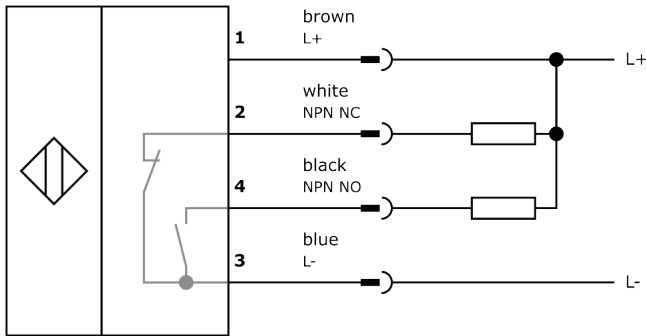
**Other**

Packaging dimensions	180mm x 20mm x 210mm
Shipping weight	0.07kg
Tariff code	85365019

**Classification**

ipf product group	100
eClass 8.0	27270903
eClass 9.0	27270903
eClass 9.1	27270903
ETIM-5.0	EC001821
ETIM-6.0	EC001821
ETIM-7.0	EC001821

## Connection



## Dimensional drawing

### Installation



Mounting / installation may only be carried out by a qualified electrician!

### Disposal



## Safety warnings

Before initial operation, please make sure to follow all safety instructions that may be provided in the product information. Never use these devices in applications where the safety of a person depends on their functionality.

LED lighting systems can generate intensive UV radiation, which can damage your eyes in case of improper use. The manufacturer cannot be held responsible for damages that result from improper use or connection.

## X-ON Electronics

Largest Supplier of Electrical and Electronic Components

*Click to view similar products for [Photoelectric Sensors](#) category:*

*Click to view products by [IPF ELECTRONIC](#) manufacturer:*

Other Similar products are found below :

[7442AD2X5FRX](#) [EX-19B-LP](#) [7443AR0X5FRX](#) [7452AD4D4NNX](#) [F3WD052C5M](#) [7655AR-04-F-1-2-RX](#) [7694ADE04DS2X](#) [FE7C-FRC6S-M](#) [PM-R24-R](#) [Q45VR2FPQ](#) [E3JUXM4MN](#) [E3S3LE21](#) [E3SCT11M1J03M](#) [E3VDS70C43S](#) [E3XNM16](#) [BR23P](#) [HOA6563-001](#) [OJ-3307-30N8](#) [OS-311A-30](#) [P34036](#) [P60001](#) [PB10CNT15PO](#) [S14132](#) [S52101](#) [S56258](#) [SH-21E](#) [SH-32R](#) [FD-SN500](#) [SU-79](#) [T36342](#) [T40300](#) [T60001](#) [PD60CNX20BP](#) [FX-302-HY](#) [PX-22](#) [PZ2-51P](#) [CYNUTX10](#) [UZB802](#) [UZB803](#) [UZFRG1](#) [UZFRG4](#) [UZFRT4](#) [UZFTT8](#) [ZX-XC4A4M](#) [E3D-R3Y1](#) [E3E23Y2US](#) [E3E-R1Y2](#) [E3SDS20E1](#) [E3TFD14N](#) [E3XR-CC4](#)