

OT255800

OPTICAL SENSORS • DIFFUSE REFLECTION SENSORS WITH INTENSITY DIFFERENTIATION

sensor optical, diffuse-reflection sensor, 88x63x24mm, Sn: 0-1500, Relay contact Change-over contact (NO/NC), Clamp 5pin, IP65, PA 6.6 (synthetic)+Plastic, 0.05kHz, Infrared light, Point, Manual adjustment



MECHANICAL FEATURES

Ambient temperature	-20 °C ... 70 °C
Degree of protection (IP)	IP65
Design	Cuboid
Housing material	PA 6.6 (synthetic)
Increased ambient temperatures >70°C	+
Material of optical surface	Plastic
Reflector included in the scope of delivery	-
Sensor height	88 mm
Sensor length	63 mm
Sensor width	24 mm
Volume	Large
With interchangeable lens	-

ELECTRICAL FEATURES

Alarm output	-
Decay time	6 ms
High repeat accuracy	-
Hysteresis	10 %
Interference suppression	-
Max. switching distance	1500 mm
No-load current	35 mA
Number of pins	5
Operating voltage	12 V ... 264 V
Pre-failure message	-
Rated switching current	3000 mA
Relative repeat accuracy	10 %
Response time	6 ms
Reverse polarity protection	+
Scanning function	Light-/dark-on mode
Sensing range	0 mm ... 1500 mm
Setting procedure	Manual adjustment
Suitable for safety functions	-
Switching frequency	50 Hz

ELECTRICAL FEATURES

Turn-off delay	8 s
Turn-on delay	10 s
Type of electrical connection	Clamp
Type of switching function	Change-over contact (NO/NC)
Type of switching output	Relay contact
Voltage type	AC/DC
With communication interface, RS-232	-
With LED display	+
With monitoring function of downstream devices	-
With other analog output	-
With restart lock	-
With time function	+

OPTICAL FEATURES

Light source	Infrared light
Wavelength of the sensor	880 nm
Light exit	Axial
Light beam form	Point
Small light beam diameter	-
Line scanner	-

OTHER FEATURES

Feeding technology	+
For gloss queries	-
Is line scan camera	-

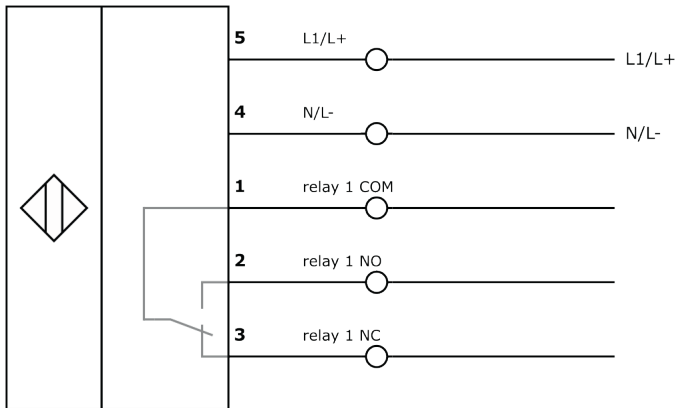
Other

Packaging dimensions	77.0mm x 25.0mm x 123.0mm
Shipping weight	0.14kg
Tariff code	85365080

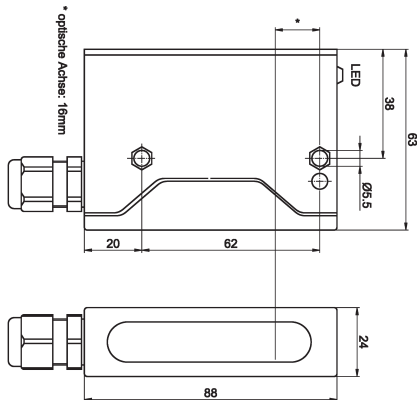
Classification

ipf product group	100
eClass 8.0	27270903
eClass 9.0	27270903
eClass 9.1	27270903
ETIM-5.0	EC001821
ETIM-6.0	EC001821
ETIM-7.0	EC001821

Connection



Dimensional drawing



Installation



Mounting / installation may only be carried out by a qualified electrician!

Disposal



Safety warnings

Before initial operation, please make sure to follow all safety instructions that may be provided in the product information.

Never use these devices in applications where the safety of a person depends on their functionality.

LED lighting systems can generate intensive UV radiation, which can damage your eyes in case of improper use. The manufacturer cannot be held responsible for damages that result from improper use or connection.

X-ON Electronics

Largest Supplier of Electrical and Electronic Components

Click to view similar products for [Photoelectric Sensors](#) category:

Click to view products by [IPF ELECTRONIC](#) manufacturer:

Other Similar products are found below :

[7442AD2X5FRX](#) [EX-19B-LP](#) [7443AR0X5FRX](#) [7452AD4D4NNX](#) [F3WD052C5M](#) [7655AR-04-F-1-2-RX](#) [7694ADE04DS2X](#) [FE7C-FRC6S-M](#) [PM-R24-R](#) [Q45VR2FPQ](#) [E3JUXM4MN](#) [E3S3LE21](#) [E3SCT11M1J03M](#) [E3VDS70C43S](#) [E3XNM16](#) [BR23P](#) [HOA6563-001](#) [OJ-3307-30N8](#) [OS-311A-30](#) [P34036](#) [P60001](#) [PB10CNT15PO](#) [S14132](#) [S52101](#) [S56258](#) [SH-21E](#) [SH-32R](#) [FD-SN500](#) [SU-79](#) [T36342](#) [T40300](#) [T60001](#) [PD60CNX20BP](#) [FX-302-HY](#) [PX-22](#) [PZ2-51P](#) [CYNUTX10](#) [UZB802](#) [UZB803](#) [UZFRG1](#) [UZFRG4](#) [UZFRT4](#) [UZFTT8](#) [ZX-XC4A4M](#) [E3D-R3Y1](#) [E3E23Y2US](#) [E3E-R1Y2](#) [E3SDS20E1](#) [E3TFD14N](#) [E3XR-CC4](#)