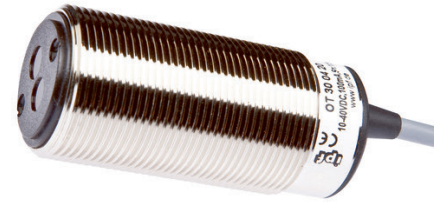


OT300420

OPTICAL SENSORS • DIFFUSE REFLECTION SENSORS WITH INTENSITY DIFFERENTIATION

sensor optical, diffuse-reflection sensor, M30x1.5 65long, Sn: 300-1500, 10-30V DC, 2x PNP Anticoincidence, Connector M12 4pin 0.05m PVC, IP65, Brass Nickel-plated+Plastic, 0.2kHz, Infrared light, Point, Manual adjustment



MECHANICAL FEATURES

Ambient temperature	0 °C ... 65 °C
Cable length	0.05 m
Degree of protection (IP)	IP65
Design	Cylinder, screw-thread
Housing coating	Nickel-plated
Housing material	Brass
Material of cable sheath	PVC
Material of optical surface	Plastic
Number of cores	4
Reflector included in the scope of delivery	-
Sensor length	65 mm
Thread length	52 mm
Thread pitch	1.5 mm
Thread size, metric	30
Wire cross section	0.34 mm ²
With interchangeable lens	-

ELECTRICAL FEATURES

Alarm output	-
Decay time	2.5 ms
Equipment protection class	Protection class 3
High repeat accuracy	-
Interference suppression	-
Max. switching distance	1500 mm
No-load current	60 mA
Number of pins	4
Number of switching outputs	2
Operating voltage	10 V ... 30 V
Pre-failure message	-
Rated switching current	100 mA
Response time	2.5 ms
Reverse polarity protection	+
Scanning function	Light-/dark-on mode

ELECTRICAL FEATURES

Sensing range	300 mm ... 1500 mm
Setting procedure	Manual adjustment
Short-circuit protection	+
Suitable for safety functions	-
Switching frequency	200 Hz
Type of electrical connection	Connector M12
Type of switching function	Anticoincidence
Type of switching output	PNP
Voltage drop	2.5 V
Voltage type	DC
With communication interface, RS-232	-
With LED display	+
With monitoring function of downstream devices	-
With other analog output	-
With restart lock	-
With time function	-

OPTICAL FEATURES

Light source	Infrared light
Wavelength of the sensor	880 nm
Light exit	Axial
Light beam form	Point
Small light beam diameter	-
Line scanner	-

OTHER FEATURES

Feeding technology	+
For gloss queries	-
Is line scan camera	-

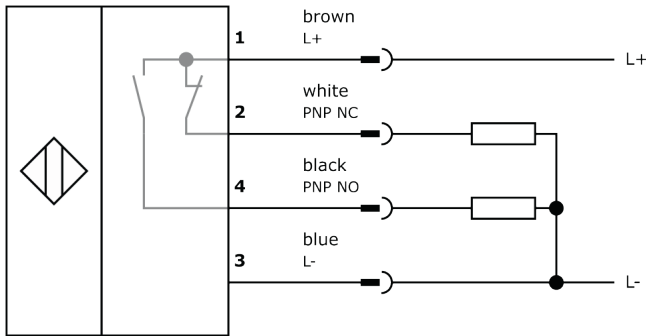
Other

Packaging dimensions	70mm x 40mm x 125.0mm
Shipping weight	0.16kg
Tariff code	85365019

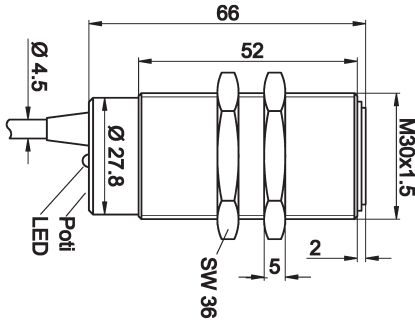
Classification

ipf product group	100
eClass 8.0	27270903
eClass 9.0	27270903
eClass 9.1	27270903
ETIM-5.0	EC001821
ETIM-6.0	EC001821
ETIM-7.0	EC001821

Connection



Dimensional drawing



Installation



Mounting / installation may only be carried out by a qualified electrician!

Disposal



Safety warnings

Before initial operation, please make sure to follow all safety instructions that may be provided in the product information. Never use these devices in applications where the safety of a person depends on their functionality.

LED lighting systems can generate intensive UV radiation, which can damage your eyes in case of improper use. The manufacturer cannot be held responsible for damages that result from improper use or connection.

X-ON Electronics

Largest Supplier of Electrical and Electronic Components

Click to view similar products for [Photoelectric Sensors](#) category:

Click to view products by [IPF ELECTRONIC](#) manufacturer:

Other Similar products are found below :

[7442AD2X5FRX](#) [EX-19B-LP](#) [7443AR0X5FRX](#) [7452AD4D4NNX](#) [F3WD052C5M](#) [7655AR-04-F-1-2-RX](#) [7694ADE04DS2X](#) [FE7C-FRC6S-M](#) [PM-R24-R](#) [Q45VR2FPQ](#) [E3JUXM4MN](#) [E3S3LE21](#) [E3SCT11M1J03M](#) [E3VDS70C43S](#) [E3XNM16](#) [BR23P](#) [HOA6563-001](#) [OJ-3307-30N8](#) [OS-311A-30](#) [P34036](#) [P60001](#) [PB10CNT15PO](#) [S14132](#) [S52101](#) [S56258](#) [SH-21E](#) [SH-32R](#) [FD-SN500](#) [SU-79](#) [T36342](#) [T40300](#) [T60001](#) [PD60CNX20BP](#) [FX-302-HY](#) [PX-22](#) [PZ2-51P](#) [CYNUTX10](#) [UZB802](#) [UZB803](#) [UZFRG1](#) [UZFRG4](#) [UZFRT4](#) [UZFTT8](#) [ZX-XC4A4M](#) [E3D-R3Y1](#) [E3E23Y2US](#) [E3E-R1Y2](#) [E3SDS20E1](#) [E3TFD14N](#) [E3XR-CC4](#)