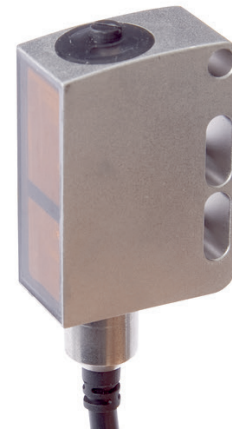


## OT370520

### OPTICAL SENSORS • DIFFUSE REFLECTION SENSORS WITH BACKGROUND SUPPRESSION

sensor optical, diffuse-reflection sensor, 36x25x14mm, Sn: 15-400, 10-30V DC, -30°C, 2x PNP/NPN Push-pull, Connector M12 4pin, IP67 / IP69k, V4A+PMMA, 1kHz, Background suppression, Polarity free red light, Point, Manual adjustment



#### MECHANICAL FEATURES

Ambient temperature	-30 °C ... 70 °C
Degree of protection (IP)	IP67 / IP69k
Design	Cuboid
Housing material	Stainless steel 1.4404
Increased ambient temperatures >70°C	+
Material of optical surface	PMMA
Reflector included in the scope of delivery	-
Sensor height	35.5 mm
Sensor length	25 mm
Sensor width	14 mm
Storage temperature	-30 °C ... 70 °C
Volume	Small

#### ELECTRICAL FEATURES

Adjustment range	15 mm ... 400 mm
Analog output 0 mA ... 20 mA	-
Analog output 0 V ... 10 V	-
Analog output -10 V ... +10 V	-
Analog output 4 mA ... 20 mA	-
Decay time	0.5 ms
Max. switching distance	400 mm
No-load current	15 mA
Number of pins	4
Number of switching outputs	2
Operating voltage	10 V ... 30 V
Rated switching current	100 mA
Rated switching distance	400 mm
Readiness delay	300 ms
Residual ripple	15 %
Response time	0.5 ms
Scanning function	Light-/dark-on mode
Sensing range	15 mm ... 400 mm
Setting procedure	Manual adjustment

## ELECTRICAL FEATURES

Short-circuit protection	+
Switching frequency	1000 Hz
Type of electrical connection	Connector M12
Type of switching function	Push-pull
Type of switching output	PNP/NPN
Voltage drop	2 V
Voltage type	DC
With LED display	+
With LED display (operation)	+
With LED display (signal)	+
With other analog output	-
With time function	-

## OPTICAL FEATURES

Light source	Polarity free red light
Wavelength of the sensor	620 nm
Triangulation	Background suppression
Light beam form	Point
Background suppression	+

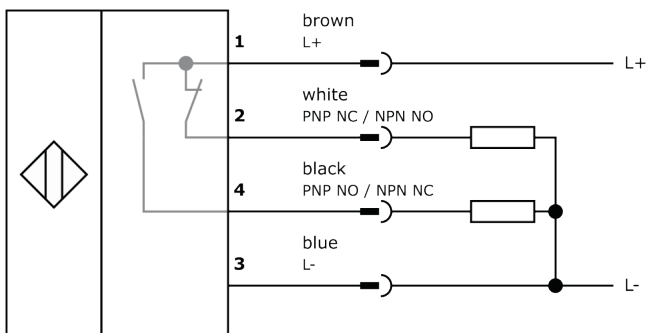
## Other

Packaging dimensions	77.0mm x 25.0mm x 123.0mm
Shipping weight	0.08kg
Tariff code	85365019

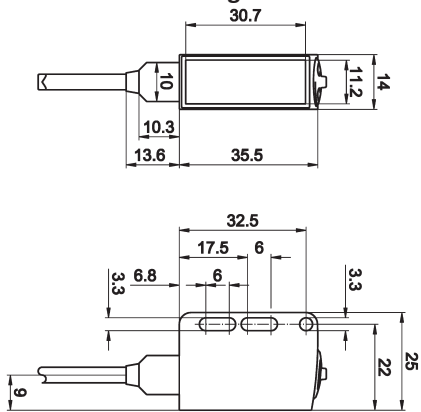
## Classification

ipf product group	100
eClass 8.0	27270904
eClass 9.0	27270904
eClass 9.1	27270904
ETIM-5.0	EC002719
ETIM-6.0	EC002719
ETIM-7.0	EC002719

## Connection



## Dimensional drawing



## Installation



Mounting / installation may only be carried out by a qualified electrician!

## Disposal



## Safety warnings

Before initial operation, please make sure to follow all safety instructions that may be provided in the product information. Never use these devices in applications where the safety of a person depends on their functionality. LED lighting systems can generate intensive UV radiation, which can damage your eyes in case of improper use. The manufacturer cannot be held responsible for damages that result from improper use or connection.

## X-ON Electronics

Largest Supplier of Electrical and Electronic Components

*Click to view similar products for [Photoelectric Sensors](#) category:*

*Click to view products by [IPF ELECTRONIC](#) manufacturer:*

Other Similar products are found below :

[7442AD2X5FRX](#) [EX-19B-LP](#) [7443AR0X5FRX](#) [7452AD4D4NNX](#) [F3WD052C5M](#) [7655AR-04-F-1-2-RX](#) [7694ADE04DS2X](#) [FE7C-FRC6S-M](#) [PM-R24-R](#) [Q45VR2FPQ](#) [E3JUXM4MN](#) [E3S3LE21](#) [E3SCT11M1J03M](#) [E3VDS70C43S](#) [E3XNM16](#) [BR23P](#) [HOA6563-001](#) [OJ-3307-30N8](#) [OS-311A-30](#) [P34036](#) [P60001](#) [PB10CNT15PO](#) [S14132](#) [S52101](#) [S56258](#) [SH-21E](#) [SH-32R](#) [FD-SN500](#) [SU-79](#) [T36342](#) [T40300](#) [T60001](#) [PD60CNX20BP](#) [FX-302-HY](#) [PX-22](#) [PZ2-51P](#) [CYNUTX10](#) [UZB802](#) [UZB803](#) [UZFRG1](#) [UZFRG4](#) [UZFRT4](#) [UZFTT8](#) [ZX-XC4A4M](#) [E3D-R3Y1](#) [E3E23Y2US](#) [E3E-R1Y2](#) [E3SDS20E1](#) [E3TFD14N](#) [E3XR-CC4](#)