

OT710900

OPTICAL SENSORS • DIFFUSE REFLECTION SENSORS WITH INTENSITY DIFFERENTIATION

sensor opt,taster,fläche 127x102x96 12-24VAC/DC,Relais,Sn:3x-3m/10m Kabel



MECHANICAL FEATURES

| | |
|--|---------------------------|
| Ambient temperature | -30 °C ... 60 °C |
| Cable length | 10 m |
| Color | Black |
| Housing material | Plastic PC |
| Inclination angle | 15 ° ... 45 ° |
| Installation height | 2500 mm ... 6000 mm |
| Mounting height | 5 m |
| Mounting method | Surface mounted (plaster) |
| Number of cores | 8 |
| Optimum mounting height | 5 m |
| Sensor height | 102 mm |
| Sensor length | 96 mm |
| Sensor width | 127 mm |
| Suitable for degree of protection (IP) | IP65 |
| Version | Presence detector |

ELECTRICAL FEATURES

| | |
|---|---------------------|
| For control of industrial doors and gates | + |
| Holding time | 0.5 s ... 0.5 s |
| Min. speed | 0.05 m/s |
| Number of switching outputs | 2 |
| Operating voltage | 12 V ... 24 V |
| Power consumption | 2 W |
| Rated switching current | 1000 mA |
| Reaction time | 250 ms |
| Setting procedure | Parameterization |
| Setting via remote control | + |
| Switching voltage | 42 V |
| Turn-off delay | + |
| Type of electrical connection | Cable |
| Type of switching function | Change-over contact |
| Type of switching output | Relay contact |
| Voltage type | AC/DC |

ELECTRICAL FEATURES

| | |
|------------------|---|
| With LED display | + |
|------------------|---|

OPTICAL FEATURES

| | |
|----------------------------------|----------------|
| Light source | Infrared light |
| Wavelength of the sensor | 875 nm |
| Detection range width, infrared | 3 m |
| Detection range length, infrared | 3 m |

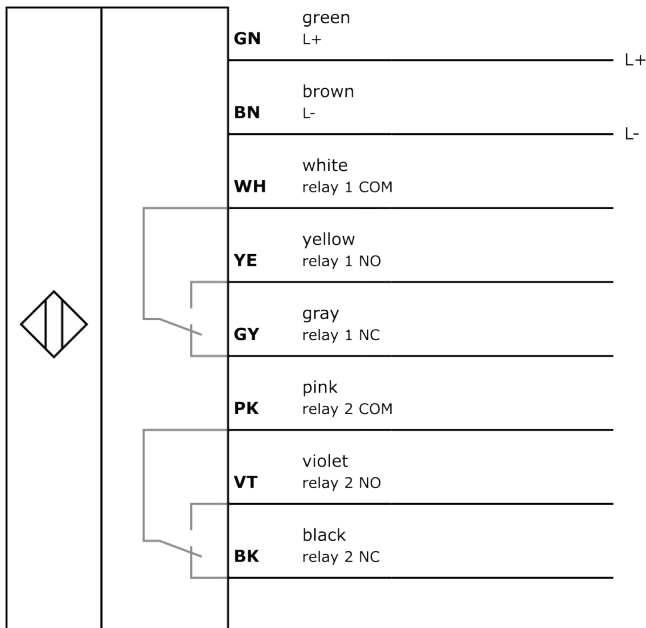
Other

| | |
|----------------------|-------------------------|
| Packaging dimensions | 200mm x 110mm x 225.0mm |
| Shipping weight | 0.96kg |
| Tariff code | 85365019 |

Classification

| | |
|-------------------|----------|
| ipf product group | 260 |
| eClass 8.0 | 27270904 |
| eClass 9.0 | 27270904 |
| eClass 9.1 | 27270904 |
| ETIM-5.0 | EC000138 |
| ETIM-6.0 | EC000138 |
| ETIM-7.0 | EC000138 |

Connection



Dimensional drawing

Installation



Mounting / installation may only be carried out by a qualified electrician!

Disposal



Safety warnings

Before initial operation, please make sure to follow all safety instructions that may be provided in the product information.

Never use these devices in applications where the safety of a person depends on their functionality.

LED lighting systems can generate intensive UV radiation, which can damage your eyes in case of improper use. The manufacturer cannot be held responsible for damages that result from improper use or connection.

X-ON Electronics

Largest Supplier of Electrical and Electronic Components

Click to view similar products for [Photoelectric Sensors](#) category:

Click to view products by [IPF ELECTRONIC](#) manufacturer:

Other Similar products are found below :

[7442AD2X5FRX](#) [EX-19B-LP](#) [7443AR0X5FRX](#) [7452AD4D4NNX](#) [F3WD052C5M](#) [7655AR-04-F-1-2-RX](#) [7694ADE04DS2X](#) [FE7C-FRC6S-M](#) [PM-R24-R](#) [Q45VR2FPQ](#) [E3JUXM4MN](#) [E3S3LE21](#) [E3SCT11M1J03M](#) [E3VDS70C43S](#) [E3XNM16](#) [BR23P](#) [HOA6563-001](#) [OJ-3307-30N8](#) [OS-311A-30](#) [P34036](#) [P60001](#) [PB10CNT15PO](#) [S14132](#) [S52101](#) [S56258](#) [SH-21E](#) [SH-32R](#) [FD-SN500](#) [SU-79](#) [T36342](#) [T40300](#) [T60001](#) [PD60CNX20BP](#) [FX-302-HY](#) [PX-22](#) [PZ2-51P](#) [CYNUTX10](#) [UZB802](#) [UZB803](#) [UZFRG1](#) [UZFRG4](#) [UZFRT4](#) [UZFTT8](#) [ZX-XC4A4M](#) [E3D-R3Y1](#) [E3E23Y2US](#) [E3E-R1Y2](#) [E3SDS20E1](#) [E3TFD14N](#) [E3XR-CC4](#)