

OTQ80576

OPTICAL SENSORS • DIFFUSE REFLECTION SENSORS WITH BACKGROUND SUPPRESSION

sensor optical, diffuse-reflection sensor, 25x16x8mm, Sn: 20-120, 10-30V DC, 1x PNP/NPN Push-pull, IO-Link, Connector M8 4pin 0.2m PVC, IP67, Plastic ASA+PMMA, 2kHz, Background suppression, Polarity free red light, Point, Teach-In



MECHANICAL FEATURES

Ambient temperature	-25 °C ... 50 °C
Cable length	0.2 m
Degree of protection (IP)	IP67
Design	Cuboid
Housing material	Plastic ASA
Material of cable sheath	PVC
Material of optical surface	PMMA
Number of cores	4
Reflector included in the scope of delivery	-
Sensor height	25.1 mm
Sensor length	15.8 mm
Sensor width	8 mm
Volume	Small
Wire cross section	0.08 mm ²

ELECTRICAL FEATURES

Adjustment range	20 mm ... 200 mm
Analog output 0 mA ... 20 mA	-
Analog output 0 V ... 10 V	-
Analog output -10 V ... +10 V	-
Analog output 4 mA ... 20 mA	-
Decay time	0.25 ms
Interference suppression	+
IO-Link compatible	+
Max. switching distance	120 mm
Min. switching distance	3 mm
No-load current	40 mA
Number of pins	4
Number of switching outputs	1
Operating voltage	10 V ... 30 V
Rated switching current	50 mA
Rated switching distance	120 mm
Response time	0.25 ms

ELECTRICAL FEATURES

Reverse polarity protection	+
Scanning function	Light-/dark-on mode
Sensing range	20 mm ... 120 mm
Setting procedure	Teach-In
Short-circuit protection	+
Switching frequency	2000 Hz
Type of electrical connection	Connector M8
Type of switching function	Push-pull
Type of switching output	PNP/NPN
Voltage drop	2 V
Voltage type	DC
With LED display	+
With other analog output	-
With time function	-

OPTICAL FEATURES

Light source	Polarity free red light
Wavelength of the sensor	644 nm
Triangulation	Background suppression
Light beam form	Point
Background suppression	+
Small light beam diameter	+

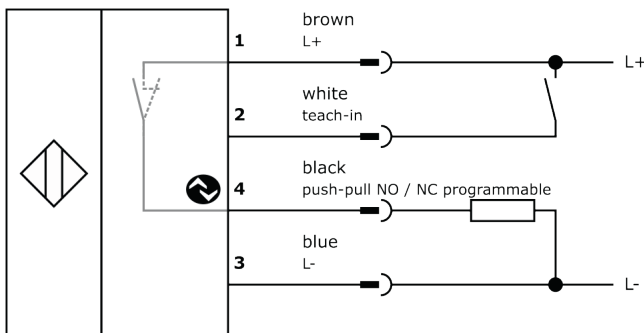
Other

Packaging dimensions	75.0mm x 17.0mm x 95.0mm
Shipping weight	0.02kg
Tariff code	85365019

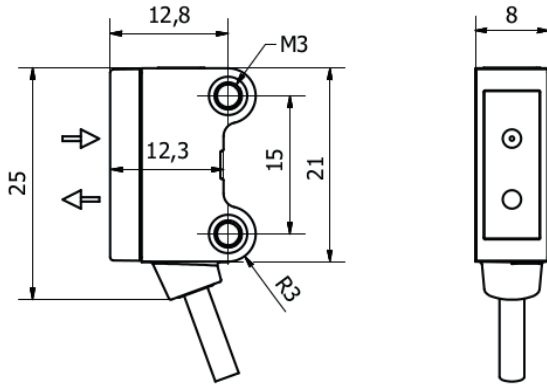
Classification

ipf product group	100
eClass 8.0	27270904
eClass 9.0	27270904
eClass 9.1	27270904
ETIM-5.0	EC002719
ETIM-6.0	EC002719
ETIM-7.0	EC002719

Connection



Dimensional drawing



Installation



Mounting / installation may only be carried out by a qualified electrician!

Disposal



Software

Any software, drivers or IODD files that may be required to operate your device can be downloaded free of charge from our homepage: www.ipf-electronic.com

Safety warnings

Before initial operation, please make sure to follow all safety instructions that may be provided in the product information. Never use these devices in applications where the safety of a person depends on their functionality.

LED lighting systems can generate intensive UV radiation, which can damage your eyes in case of improper use. The manufacturer cannot be held responsible for damages that result from improper use or connection.

X-ON Electronics

Largest Supplier of Electrical and Electronic Components

Click to view similar products for [Photoelectric Sensors](#) category:

Click to view products by [IPF ELECTRONIC](#) manufacturer:

Other Similar products are found below :

[022528-000](#) [10131270](#) [10132112](#) [10132390](#) [10136503](#) [10137011](#) [10137012](#) [10137626](#) [10138309](#) [10138310](#) [10138745](#) [10139960](#) [10139965](#)
[10140588](#) [10140591](#) [10140593](#) [10140594](#) [10140708](#) [10141536](#) [10141537](#) [10250TC2N](#) [1161A-200](#) [1202540067](#) [1265A-200](#) [1270A-300](#)
[1273A-300](#) [13104A6513](#) [13104A6517](#) [13104RQD07](#) [1450E-6514](#) [1451E-6547](#) [148582-000](#) [161](#) [18.4K.9.030.0000](#) [18.51.8.230.0040](#)
[18.51.8.230.B300](#) [20848494](#) [298296-000](#) [301910-000](#) [395430-000](#) [3RG7120-3AA00](#) [3Z4S-LE SV-0813V](#) [3Z4S-LE SV-10035V](#) [3Z4S-LE](#)
[SV-1214H](#) [3Z4S-LE SV-1214V](#) [3Z4S-LE SV-3514H](#) [3Z4S-LE SV-3518V](#) [3Z4S-LE SV-5018V](#) [3Z4S-LE VS-0618H1](#) [428660-000](#)