

OTQ90170

OPTICAL SENSORS • DIFFUSE REFLECTION SENSORS WITH BACKGROUND SUPPRESSION

sensor optical, diffuse-reflection sensor, 21x11x9,2mm, Sn: 2-60, 10-30V DC, 1x PNP Programmable/configurable, Cable connector M8 4pin 0.2m PUR (Polyurethane), IP65, PMMA+PMMA, 1kHz, Background suppression, Polarity free red light, Point, Teach-In



MECHANICAL FEATURES

| | |
|---|---------------------|
| Ambient temperature | -20 °C ... 50 °C |
| Cable length | 0.2 m |
| Degree of protection (IP) | IP65 |
| Design | Cuboid |
| Housing material | PMMA |
| Material of cable sheath | PUR (Polyurethane) |
| Material of optical surface | PMMA |
| Max. tightening torque | 0.2 Nm |
| Number of cores | 4 |
| Reflector included in the scope of delivery | - |
| Sensor height | 21.4 mm |
| Sensor length | 10.8 mm |
| Sensor width | 9.2 mm |
| Volume | Small |
| Wire cross section | 0.1 mm ² |

ELECTRICAL FEATURES

| | |
|-------------------------------|----------------|
| Adjustment range | 2 mm ... 60 mm |
| Analog output 0 mA ... 20 mA | - |
| Analog output 0 V ... 10 V | - |
| Analog output -10 V ... +10 V | - |
| Analog output 4 mA ... 20 mA | - |
| Decay time | 0.5 ms |
| Interference suppression | + |
| Max. switching distance | 60 mm |
| No-load current | 25 mA |
| Number of pins | 4 |
| Number of switching outputs | 1 |
| Operating voltage | 10 V ... 30 V |
| Rated switching current | 100 mA |
| Rated switching distance | 60 mm |
| Response time | 0.5 ms |
| Reverse polarity protection | + |

ELECTRICAL FEATURES

| | |
|---------------------------------------|---------------------------|
| Scanning function | Light-/dark-on mode |
| Sensing range | 2 mm ... 60 mm |
| Setting procedure | Teach-In |
| Short-circuit protection | + |
| Switching frequency | 1000 Hz |
| Type of electrical connection | Cable connector M8 |
| Type of switching function | Programmable/configurable |
| Type of switching output | PNP |
| Voltage drop | 1.8 V |
| Voltage type | DC |
| With LED display | + |
| With LED display (functional reserve) | + |
| With LED display (reception) | + |
| With LED display (signal) | + |
| With other analog output | - |
| With time function | - |

OPTICAL FEATURES

| | |
|---------------------------|-------------------------|
| Light source | Polarity free red light |
| Wavelength of the sensor | 660 nm |
| Triangulation | Background suppression |
| Light beam form | Point |
| Background suppression | + |
| Small light beam diameter | + |

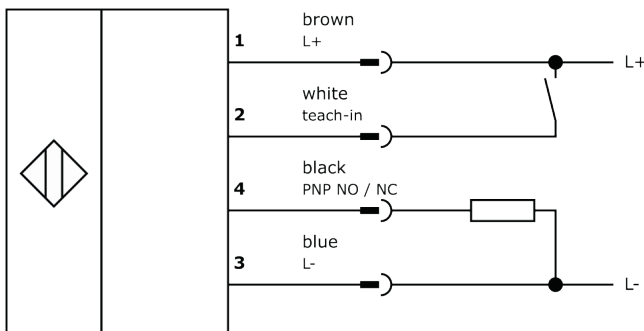
Other

| | |
|----------------------|---------------------------|
| Packaging dimensions | 77.0mm x 25.0mm x 123.0mm |
| Shipping weight | 0.02kg |
| Tariff code | 85365019 |

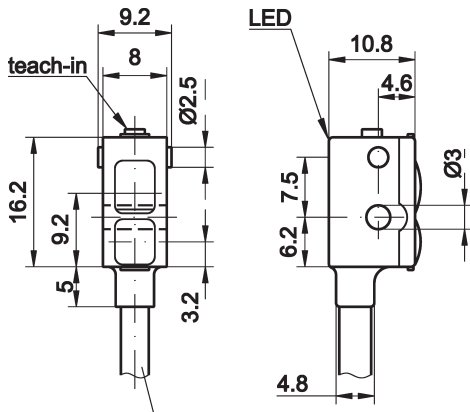
Classification

| | |
|-------------------|----------|
| ipf product group | 100 |
| eClass 8.0 | 27270904 |
| eClass 9.0 | 27270904 |
| eClass 9.1 | 27270904 |
| ETIM-5.0 | EC002719 |
| ETIM-6.0 | EC002719 |
| ETIM-7.0 | EC002719 |

Connection



Dimensional drawing



Installation



Mounting / installation may only be carried out by a qualified electrician!

Disposal



Safety warnings

Before initial operation, please make sure to follow all safety instructions that may be provided in the product information. Never use these devices in applications where the safety of a person depends on their functionality. LED lighting systems can generate intensive UV radiation, which can damage your eyes in case of improper use. The manufacturer cannot be held responsible for damages that result from improper use or connection.

X-ON Electronics

Largest Supplier of Electrical and Electronic Components

Click to view similar products for [Photoelectric Sensors](#) category:

Click to view products by [IPF ELECTRONIC](#) manufacturer:

Other Similar products are found below :

[7442AD2X5FRX](#) [EX-19B-LP](#) [7443AR0X5FRX](#) [7452AD4D4NNX](#) [F3WD052C5M](#) [7694ADE04DS2X](#) [FE7C-FRC6S-M](#) [FX-305](#) [PM-R24-R](#)
[Q45VR2FPQ](#) [13104RQD07](#) [E3JUXM4MN](#) [E3L2DC4](#) [E3S3LE21](#) [E3SDS20E21](#) [E3VDS70C43S](#) [E3XNM16](#) [BR23P](#) [HOA6563-001](#) [OJ-](#)
[3307-30N8](#) [OS-311A-30](#) [P32013](#) [P34036](#) [P43004](#) [P60001](#) [PB10CNT15PO](#) [S14132](#) [935286-000](#) [S52101](#) [S56258](#) [FD-SN500](#) [FE7B-](#)
[FDRB6-M](#) [SU-79](#) [T36342](#) [T40300](#) [T60001](#) [PD60CNX20BP](#) [FX-302-HY](#) [FZS](#) [PM-T64W](#) [PZ2-51P](#) [CX-491-P-J](#) [CYNUTX10](#) [UZB802](#)
[UZB803](#) [UZFRG1](#) [UZFRG4](#) [UZFRT4](#) [UZFTT8](#) [XUM2BKCNL2T](#)